

TECHNICAL SPECIFICATION:

1. All parts of fan should be properly assembled, no oil or dirt on the surface, no obvious distortion, mechanical damage and other defects.
2. Fan rotation is flexible, no delay no operation sound, no scratch and other undesirable phenomena.
3. The safety requirement of fan is performed according to GB12350-2009, the electrical strength is 1500V•min, and the insulation resistance is not less than 100M Ω at room temperature.
4. Motor insulation class, F CLASS.
5. Motor protection level, IP44, fan protection level, IP2X.
6. The fan balance level is: 1400± 10% r/min high G6. 3, vibration value is less than 5.4mm/s.
7. MAER box.
8. Built-in heat protector.

Test data at free:

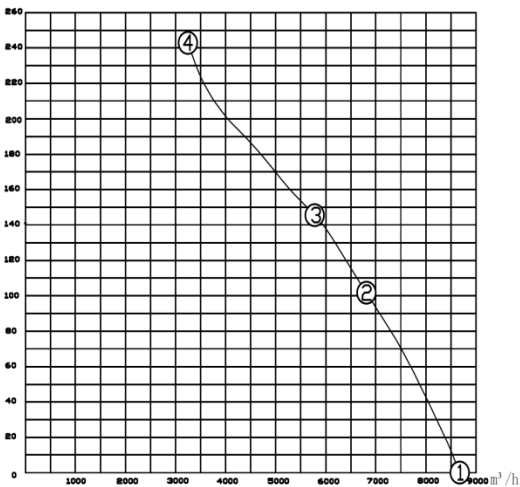
Connection	UAC (V)±5%	f (Hz)	P1 (W)±10%	I (A)±10%	n (r/min)±10%	Noise db(A)
	3~380V	50	560	1.24	1400	74

Performance parameters at key point:

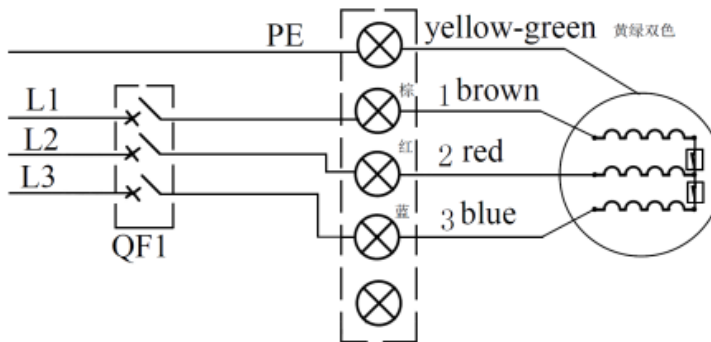
	psf	I	P1	n	Q	Note
	(pa)	(A)	(W)	(r/min)	(m³/h)	
①	0	1.13	524	1411	8575	
②	104	1.25	641	1387	6756	
③	144	1.27	670	1377	5895	MAX EFF.
④	242	1.49	815	1355	3252	IMAX

PS: Fan working performance tested with MAER wall plate, and under standard atmospheric pressure at 20°C

psf (pa)



WIRING DIAGRAM



Nameplate:

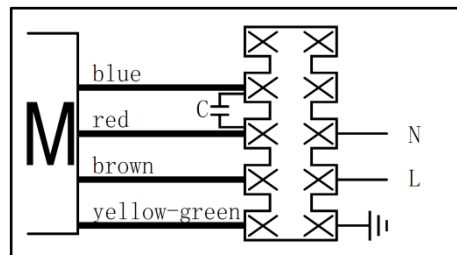
YSWF102L50P4-625N-550 S 3~380V50Hz 10μF / 450V
 670W 1.27A 1377r/min @ 45Pa
 CL. F IP54 2018/07
 Tel:+380678807231, +380500679006
 web:www.iceteco.com
 e-mail: iceteko@gmail.com

	Product model	YSWF102L50P4-635N-550S
	Product type	External rotor axial flow fan
	Customer	乌克兰 (Ukraine)
	Product number	MAER – 1610177
	Certification	CE, CCC

Condition of use:

- 1) Voltage and frequency: 3 ~ 380V + 5% (50 Hz)
- 2) Qualification requirements: Terminal block, the recommended standard of lead wire is not less than 0,75mm².
- 3) Installation position: vertical or upward.
- 4) Ambient temperature: -40 ~ 70°C.

THE EXTERNAL WIRING DIAGRAM:



MARK

MAER AXIAL FAN MOTOR
MOTORS & FANS

MODEL: **YSWF102L50P4-625N-550 SUCTION**
4D-550-S

VOLTAGE: 380V / 50Hz
 N.W/G.W. 10.0/11.5 kg
 MEAS: 60x60x21 cm
 CL. F WITH TERMINAL BOX

20180509X

		The signature	(date)(month)(year)	ZHEJIANG MAER FAN MOTOR CO., LTD.
state	Deliver before			Product Specification
	After the confirmation			
drawing				
audit				
approval				