

TECHNICAL SPECIFICATION:

1. All parts of fan should be properly assembled, no oil or dirt on the surface, no obvious distortion, mechanical damage and other defects.
2. Fan rotation is flexible, no delay no operation sound, no scratch and other undesirable phenomena.
3. The safety requirement of fan is performed according to GB12350-2009, the electrical strength is 1500V•min, and the insulation resistance is not less than 100M Ω at room temperature.
4. Motor insulation class, F CLASS.
5. Motor protection level, IP44, fan protection level, IP2X.
6. The fan balance level is: 1400± 10% r/min high G6. 3, vibration value is less than 5.4mm/s.
7. MAER box.
8. Built-in heat protector.

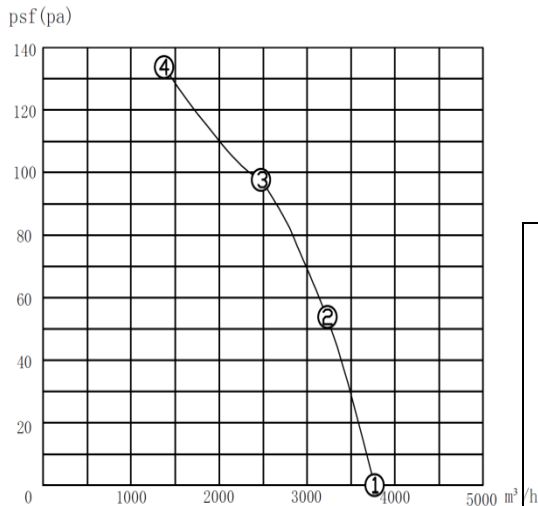
Test data at free:

Connection	UAC (V)±5%	f (Hz)	P1 (W)±10%	I (A)±10%	n (r/min)±10%	Noise db(A)
	3~380V	50	185	0.45	1400	69

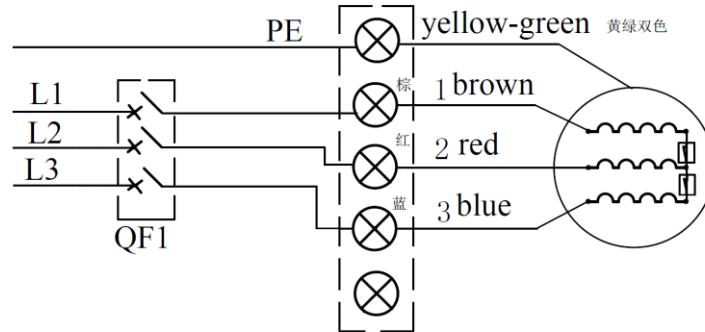
Performance parameters at key point:

	psf (pa)	I (A)	P1 (W)	n (r/min)	Q (m³/h)	Note
①	0	0.42	166	1407	3768	
②	54	0.44	196	1385	3215	
③	97	0.46	216	1362	2484	MAX EFF.
④	131	0.48	235	1348	1441	I MAX

PS: Fan working performance tested with MAER wall plate, and under standard atmospheric pressure at 20°C



WIRING DIAGRAM

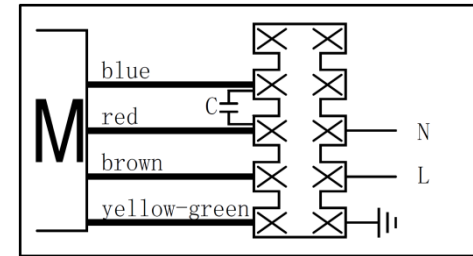


	Product model	YSWF74L47P4-470N-400S
	Product type	External rotor axial flow fan
	Customer	乌克兰 (Ukraine)
	Product number	MAER - 1606280
	Certification	CE, CCC

Condition of use:

- 1) Voltage and frequency: 3 ~ 380V + 5% (50 Hz)
- 2) Qualification requirements: Terminal block, the recommended standard of lead wire is not less than 0.5mm².
- 3) Installation position: vertical or upward.
- 4) Ambient temperature: -40 ~ 80°C.

THE EXTERNAL WIRING DIAGRAM:



MARK

MAER AXIAL FAN MOTOR
MOTORS & FANS

MODEL: **YSWF74L47P4-470N-400 SUCTION 4D-400-S**

VOLTAGE: 380V / 50Hz

N.W/G.W. 6.0/7.1 kg

MEAS: 44x44x20 cm

CL. F WITH TERMINAL BOX

20180509X

Nameplate:

YSWF74L47P4-470N-400 S 3~380V50Hz 6μF / 450V

216W 0.46A 1362r/min @ 97Pa

CL. F IP54 2018/05

Tel: +380678807231, +380500679006

web: www.iceteco.com

e-mail: iceteko@gmail.com

АЙСТЕКО
РЕШЕНИЕ КОЛОРА
WWW.ICETECO.COM

	The signature	(date)(month)(year)	ZHEJIANG MAER FAN MOTOR CO., LTD.
state	Deliver before After the confirmat ion		
drawing			Product Specification
audit			
approval			