

### TECHNICAL SPECIFICATION:

- All parts of fan should be properly assembled, no oil or dirt on the surface, no obvious distortion, mechanical damage and other defects.
- Fan rotation is flexible, no delay no operation sound, no scratch and other undesirable phenomena.
- The safety requirement of fan is performed according to GB12350-2009, the electrical strength is 1500V•min, and the insulation resistance is not less than 100M Ω at room temperature.
- Motor insulation class, F CLASS.
- Motor protection level, IP44, fan protection level, IP2X.
- The fan balance level is: 1400± 10% r/min high G6. 3, vibration value is less than 5.4mm/s.
- MAER box.
- Built-in heat protector.

Test data at free:

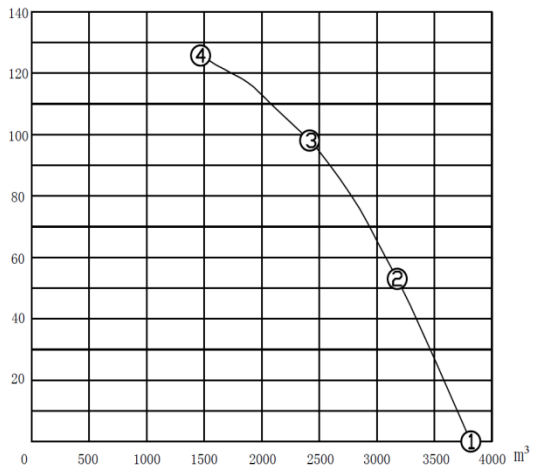
Connection	UAC (V)±5%	f (Hz)	P1 (W)±10%	I (A)±10%	n (r/min)±10%	Noise db(A)
	1~220V	50	185	0.85	1400	67

### Performance parameters at key point:

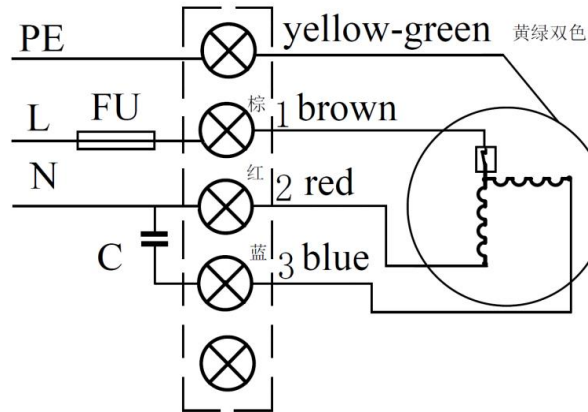
	psf	I	P1	n	Q	Note
	(pa)	(A)	(W)	(r/min)	(m³/h)	
①	0	0.77	167	1413	3727	
②	53	0.87	191	1386	3207	
③	99	1.00	219	1352	2417	MAX EFF.
④	123	1.05	231	1333	1590	I MAX

PS: Fan working performance tested with MAER wall plate, and under standard atmospheric pressure at 20°C

psf (pa)



### WIRING DIAGRAM

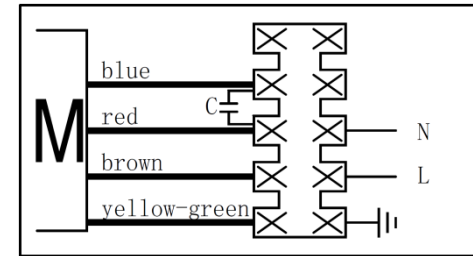


	Product model	<b>YDWF74L47P4-470N-400S</b>
	Product type	External rotor axial flow fan
	Customer	乌克兰 (Ukraine)
	Product number	MAER – 150301D
	Certification	CE, CCC

### Condition of use:

- Voltage and frequency: 1 ~ 220V + 5% (50 Hz)
- Qualification requirements: Terminal block, the recommended standard of lead wire is not less than 0.5mm².
- Installation position: vertical or upward.
- Ambient temperature: -40 ~ 75°C.

### THE EXTERNAL WIRING DIAGRAM:



### MARK

**MAER** AXIAL FAN MOTOR  
MOTORS & FANS

MODEL: **YDWF74L47P4-470N-400 SUCTION**  
**4E-400-S**

VOLTAGE: 220V / 50Hz

N.W/G.W. 6.0/7.1 kg

MEAS: 44x44x20 cm

CL. F WITH TERMINAL BOX

20180509X

### Nameplate:

YDWF74L47P4-470N-400 S 1~220V50Hz 6μF / 450V

219W 1.00A 1352r/min @ 99Pa

CL. F IP54 2018/05

Tel: +380678807231, +380500679006

web: [www.iceteco.com](http://www.iceteco.com)

e-mail: [iceteko@gmail.com](mailto:iceteko@gmail.com)

	The signature	(date)(month)(year)	ZHEJIANG MAER FAN MOTOR CO., LTD.
state	Deliver before After the confirmat ion		
drawing			
audit			
approval			