

TECHNICAL SPECIFICATION:

1. All parts of fan should be properly assembled, no oil or dirt on the surface, no obvious distortion, mechanical damage and other defects.
2. Fan rotation is flexible, no delay no operation sound, no scratch and other undesirable phenomena.
3. The safety requirement of fan is performed according to GB12350-2009, the electrical strength is 1500V•min, and the insulation resistance is not less than 100M Ω at room temperature.
4. Motor insulation class, F CLASS.
5. Motor protection level, IP44, fan protection level, IP2X.
6. The fan balance level is: $1368 \pm 10\%$ r/min high G6. 3, vibration value is less than 5.4mm/s.
7. MAER box.
8. Built-in heat protector.

Test data at free:

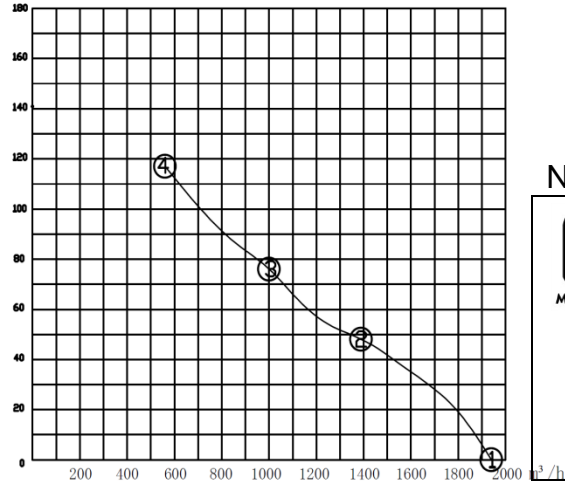
Connection	UAC (V)±5%	f (Hz)	P1 (W)±10%	I (A)±10%	n (r/min)±10%	Noise db(A)
	1 ~220V	50	120	0.60	1368	60

Performance parameters at key point:

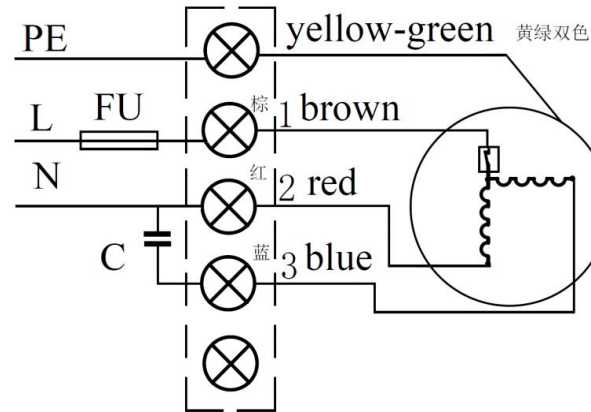
	psf	I	P1	n	Q	Note
	(pa)	(A)	(W)	(r/min)	(m³/h)	
①	0	0.56	106	1401	1942	
②	48	0.60	119	1368	1390	
③	76	0.63	128	1342	1001	MAX EFF.
④	117	0.68	141	1305	562	I MAX

PS: Fan working performance tested with MAER wall plate, and under standard atmospheric pressure at 20°C

psf (pa)



WIRING DIAGRAM

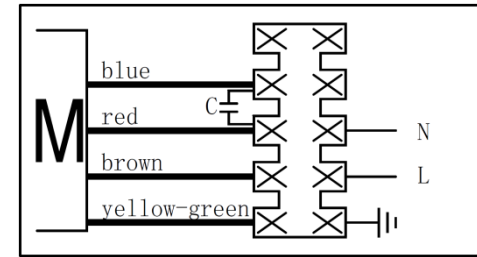


	Product model	YDWF68L40P4-400N-330S
	Product type	External rotor axial flow fan
	Customer	乌克兰 (Ukraine)
	Product number	MAER - 1803090
	Certification	CE, CCC

Condition of use:

- 1) Voltage and frequency: 1 ~ 220V + 5% (50 Hz)
- 2) Qualification requirements: Terminal block, the recommended standard of lead wire is not less than 0.5mm².
- 3) Installation position: vertical or upward.
- 4) Ambient temperature: -40 ~ 75°C.

THE EXTERNAL WIRING DIAGRAM:



MARK

MAER AXIAL FAN MOTOR
MOTORS & FANS

MODEL: **YDWF68L40P4-400N-330 SUCTION**
4E-330-S

VOLTAGE: 220V / 50Hz

N.W/G.W. 3.6/4.2 kg

MEAS: 37x37x19 cm

CL. F WITH TERMINAL BOX

20180509X

Nameplate:

YDWF68L40P4-400N-330 S 1~220V50Hz 4μF / 450V

128W 0.63A 1342r/min @ 76Pa

CL. F IP54 2018/07

Tel: +380678807231, +380500679006

web: www.iceteco.com

e-mail: iceteko@gmail.com

		The signature	(date)(month)(year)	ZHEJIANG MAER FAN MOTOR CO., LTD.
state	Deliver before After the confirmat ion			
drawing				Product Specification
audit				
approval				