

SELF-CLEANING  
FILTERS

# HYDRA RAINMASTER

multi-stage self-cleaning filters

Range of multi-stage self-cleaning filters especially designed for the filtration and treatment of rainwater, in re-cycling applications

# HYDRA RAINMASTER

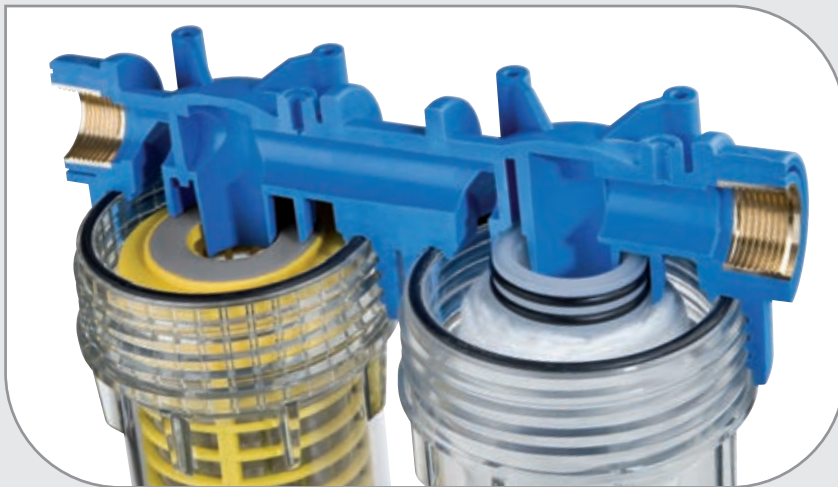
FOR CARTRIDGES SX and BX

**Second and third stages housings fit to both standard SX (DOE) cartridges and to exclusive BX cartridges.**

The full range of Atlas Filtri® SX and BX cartridges is suitable to Hydra multi-stage housings and provides the widest range of water filtration and treatment units.



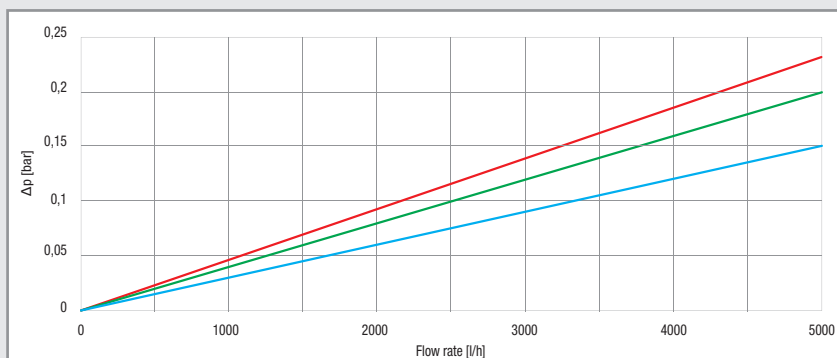
**SX** cartridges with antimicrobial flat seals. Standard seals for CB EC cartridge.



**BX** cartridges with 45 mm double o-ring collar. Quick-fit connection for a perfect tightening.

## FLOW RATE vs PRESSURE DROP $\Delta p$

Testing mode: 20°C, 3 BAR



RSH —  
RLH —  
RAH —

## ACCESSORIES INCLUDED



-X- spanner

-DUO- wall bracket



-TRIO- wall bracket

## DISCHARGE KIT



brass discharge  
ball-valve with gasket

plastic  
hose-holder



drain funnel

In compliance with the European Standard UNI EN 1717/2002: designed to prevent back-flow contamination by making all elements downstream the discharge vent to atmosphere (protection unit symbol: DC)



Filterfit - cartridge centering device

## ACCESSORIES ON DEMAND

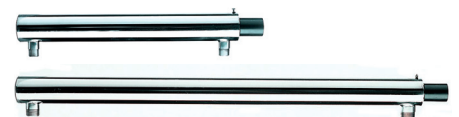


3/4" plastic nipple  
with o-ring  
CODE LB7404012

3/4" / 1" brass nipples with o-ring (pair)  
CODE RB7404001 / CODE RB7404002



-KIT AUTO- CODE RE7120024  
automatic discharge kit (see pages 186-187)



-UV 1200- CODE EA3500003 (see page 321)

-UV 2800- CODE EA3500004 (see page 321)



DUO

TRIO

# HYDRA RAINMASTER

FILTER MODEL

DUO

VERSION

3/4"

IN / OUT

1/2"

3/4"

1"

RAH

PREFILTER CARTRIDGE

CB EC

POSTFILTER CARTRIDGE

CB EC - CARBON BLOCK



LA - GRANULAR ACTIVATED CARBON



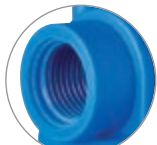
OT

THREADS TYPE

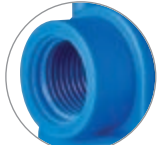
OT - BRASS BSP \*



IN - PLASTIC BSP \*



NPT IN - PLASTIC NPT \*\*



Exclusive HYDRA RAINMASTER filter cartridge with antimicrobial flat seal for the self-cleaning stage.



## RAH

stainless steel net cartridge, filtration at 90 micron.  
CODE RA5000020



With dedicated stainless steel AISI 302 cartridge spring.  
CODE RE7120040

### CERTIFICATIONS



Housings are tested and certified under the most stringent procedures worldwide, in compliance with DM 25 (Italy), with the sanitary certification ACS (France), EAC/Ghostreghistrizia (Russia) and WaterMark (Australia).

### SYMBOLS LEGEND



For domestic use



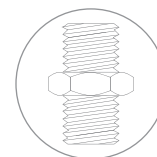
For technical and industrial use



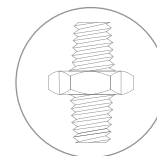
Filter housings made in PET, a highly recyclable plastic, are manufactured with a proprietary procedure saving up to 60% of energy in injection molding compared with standard plastics. That is one of Atlas Filtri commitments to comply with Kyoto Treaty for the reduction of green house gas (CO<sub>2</sub>) emissions in the atmosphere.



-LUBRIKIT- single-dose lubricant for housing o-ring  
CODE RE9020650



\* BSP parallel (cylindrical) ISO 228



\*\* NPT tapered (conical) ANSI/ASME B1.20.1



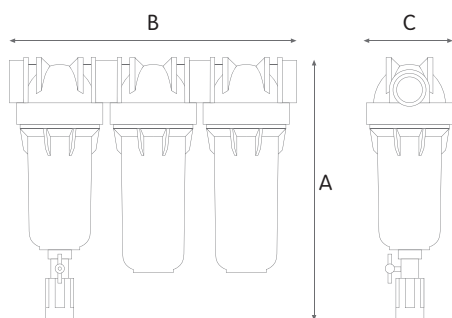
# HYDRA RAINMASTER TRIO

## WORKING CONDITIONS

Max working pressure:  
 BSP versions \_\_\_\_\_ 8 bar (116 psi)  
 NPT versions \_\_\_\_\_ 8,6 bar (125 psi)  
 Min working pressure \_\_\_\_\_ 1,8 bar (26 psi)  
 Max working temperature \_\_\_\_\_ 45°C (113°F)  
 Min working temperature \_\_\_\_\_ 4°C (39,2°F)

## SPECIFICATIONS

Non-toxic materials, suitable for drinking water.  
 Head: reinforced polypropylene.  
 Bowl: PET.  
 O-rings: EPDM.  
 Breather-valve: body stainless steel, o-ring EPDM.  
 IN/OUT brass threads: CW 617 N brass.  
 Discharge ball-valve: CW 617 N brass nickel plated.  
 Drain funnel: reinforced polypropylene.



**DRAIN FUNNEL**  
 Back-flow preventing device  
 UNI EN 1717-11/2002

## HYDRA RAINMASTER TRIO RAH with carbon block cartridge

### HOUSINGS WITH BRASS BSP THREADS

CODE	MODEL	SELF CLEANING NOMINAL FILTRATION MICRON	SEDIMENT NOMINAL FILTRATION MICRON	POST CARTRIDGE NOMINAL FILTRATION MICRON	IN/OUT	FLOW RATE l/h	DIMENSIONS mm		
							A	B	C
RA6095114	HYDRA RAINMASTER TRIO RAH CB/EC 1/2" OT	90	25	10	1/2"	3500	390	336	107
RA6095124	HYDRA RAINMASTER TRIO RAH CB/EC 3/4" OT	90	25	10	3/4"	4800	390	336	107
RA6095134	HYDRA RAINMASTER TRIO RAH CB/EC 1" OT	90	25	10	1"	5500	390	336	107



### HOUSINGS WITH PLASTIC BSP THREADS

CODE	MODEL	SELF CLEANING NOMINAL FILTRATION MICRON	SEDIMENT NOMINAL FILTRATION MICRON	POST CARTRIDGE NOMINAL FILTRATION MICRON	IN/OUT	FLOW RATE l/h	DIMENSIONS mm		
							A	B	C
RA6095115	HYDRA RAINMASTER TRIO RAH CB/EC 1/2" IN	90	25	10	1/2"	3500	390	336	107
RA6095120	HYDRA RAINMASTER TRIO RAH CB/EC 3/4" IN	90	25	10	3/4"	4800	390	336	107
RA6095135	HYDRA RAINMASTER TRIO RAH CB/EC 1" IN	90	25	10	1"	5500	390	336	107



### HOUSINGS WITH PLASTIC NPT THREADS

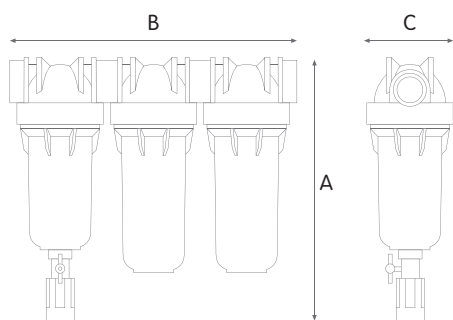
CODE	MODEL	SELF CLEANING NOMINAL FILTRATION MICRON	SEDIMENT NOMINAL FILTRATION MICRON	POST CARTRIDGE NOMINAL FILTRATION MICRON	IN/OUT	FLOW RATE l/h	DIMENSIONS mm		
							A	B	C
RA6095126	HYDRA RAINMASTER TRIO RAH CB/EC 3/4" NPT IN	90	25	10	3/4"	4800	390	336	107
RA6095136	HYDRA RAINMASTER TRIO RAH CB/EC 1" NPT IN	90	25	10	1"	5500	390	336	107

For wound thread cartridge specifications see FA at page 215  
 For carbon block cartridge specifications  
 see CB EC CTO at page 261

### VARIANTS AVAILABLE ON MINIMUM QUANTITY:

- HYDRA RAINMASTER TRIO with RLH or RSH prefilter cartridges.

Some items in the list are subject to minimum order quantities and/or to longer delivery term.



**WORKING CONDITIONS**

Max working pressure:  
 BSP versions \_\_\_\_\_ 8 bar (116 psi)  
 NPT versions \_\_\_\_\_ 8,6 bar (125 psi)  
 Min working pressure \_\_\_\_\_ 1,8 bar (26 psi)  
 Max working temperature \_\_\_\_\_ 45°C (113°F)  
 Min working temperature \_\_\_\_\_ 4°C (39,2°F)



**DRAIN FUNNEL**  
 Back-flow preventing device  
 UNI EN 1717-11/2002

**SPECIFICATIONS**

Non-toxic materials, suitable for drinking water.  
 Head: reinforced polypropylene.  
 Bowl: PET.  
 O-rings: EPDM.  
 Breather-valve: body stainless steel, o-ring EPDM.  
 IN/OUT brass threads: CW 617 N brass.  
 Discharge ball-valve: CW 617 N brass nickel plated.  
 Drain funnel: reinforced polypropylene.

**HYDRA RAINMASTER TRIO RAH with GAC cartridge**

**HOUSINGS WITH BRASS BSP THREADS**

CODE	MODEL	SELF CLEANING NOMINAL FILTRATION MICRON	SEDIMENT NOMINAL FILTRATION MICRON	POST CARTRIDGE NOMINAL FILTRATION MICRON	IN/OUT	FLOW RATE l/h	DIMENSIONS mm		
							A	B	C
RA6095214	HYDRA RAINMASTER TRIO RAH LA 1/2" OT	90	25	-	1/2"	1800	390	336	107
RA6095224	HYDRA RAINMASTER TRIO RAH LA 3/4" OT	90	25	-	3/4"	2500	390	336	107
RA6095234	HYDRA RAINMASTER TRIO RAH LA 1" OT	90	25	-	1"	2800	390	336	107

**HOUSINGS WITH PLASTIC BSP THREADS**

CODE	MODEL	SELF CLEANING NOMINAL FILTRATION MICRON	SEDIMENT NOMINAL FILTRATION MICRON	POST CARTRIDGE NOMINAL FILTRATION MICRON	IN/OUT	FLOW RATE l/h	DIMENSIONS mm		
							A	B	C
RA6095215	HYDRA RAINMASTER TRIO RAH LA 1/2" IN	90	25	-	1/2"	1800	390	336	107
RA6095225	HYDRA RAINMASTER TRIO RAH LA 3/4" IN	90	25	-	3/4"	2500	390	336	107
RA6095235	HYDRA RAINMASTER TRIO RAH LA 1" IN	90	25	-	1"	2800	390	336	107

**HOUSINGS WITH PLASTIC NPT THREADS**

CODE	MODEL	SELF CLEANING NOMINAL FILTRATION MICRON	SEDIMENT NOMINAL FILTRATION MICRON	POST CARTRIDGE NOMINAL FILTRATION MICRON	IN/OUT	FLOW RATE l/h	DIMENSIONS mm		
							A	B	C
RA6095226	HYDRA RAINMASTER TRIO RAH LA 3/4" NPT IN	90	25	-	3/4"	2500	390	336	107
RA6095236	HYDRA RAINMASTER TRIO RAH LA 1" NPT IN	90	25	-	1"	2800	390	336	107

For wound thread cartridge specifications see FA at page 215  
 For GAC cartridge specifications see LA at page 253

**VARIANTS AVAILABLE ON MINIMUM QUANTITY:**

- HYDRA RAINMASTER TRIO with RLH or RSH prefilter cartridges.

Some items in the list are subject to minimum order quantities and/or to longer delivery term.

SELF-CLEANING FILTERS