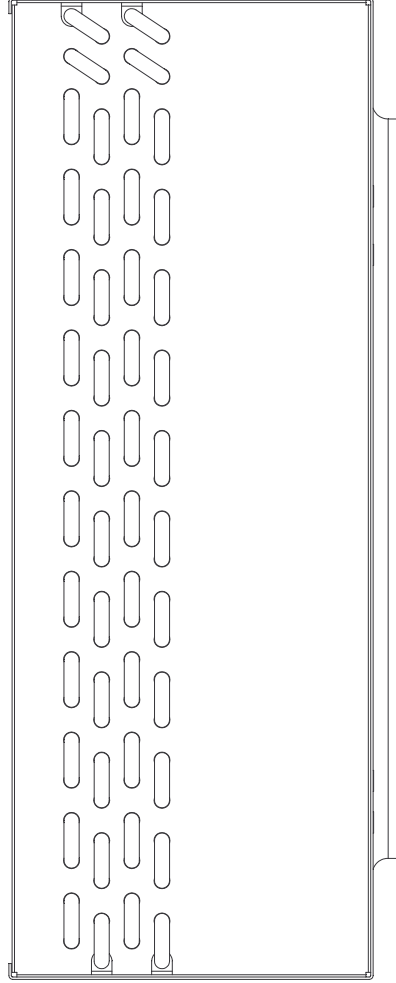
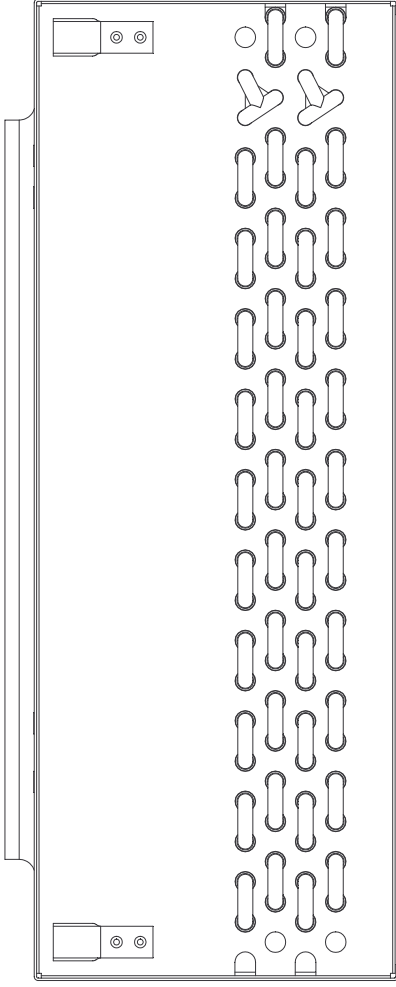
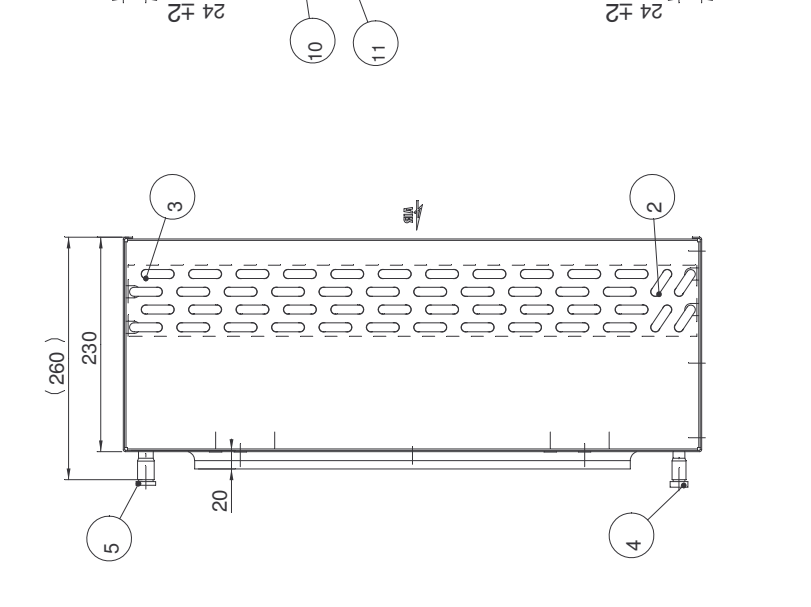
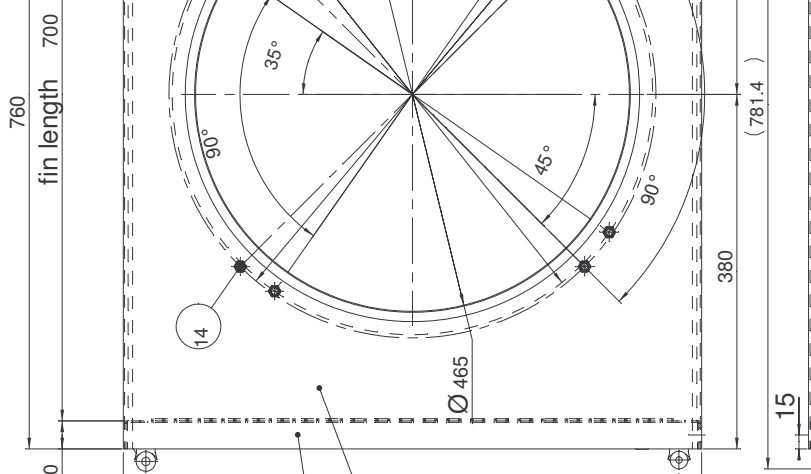
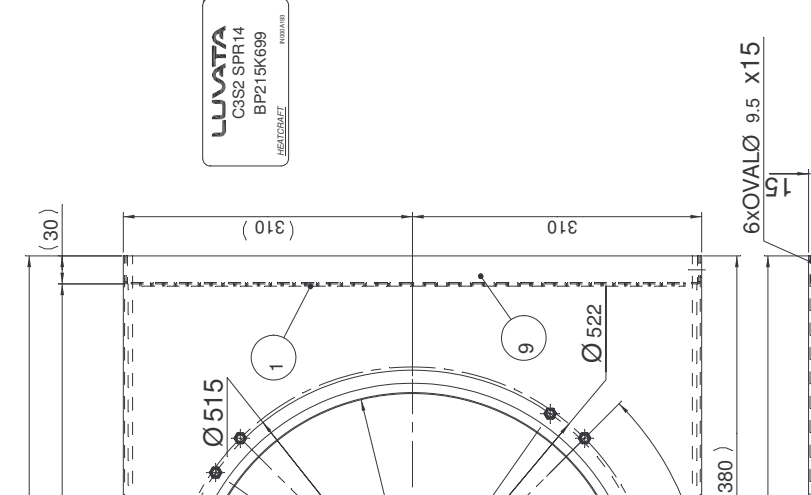
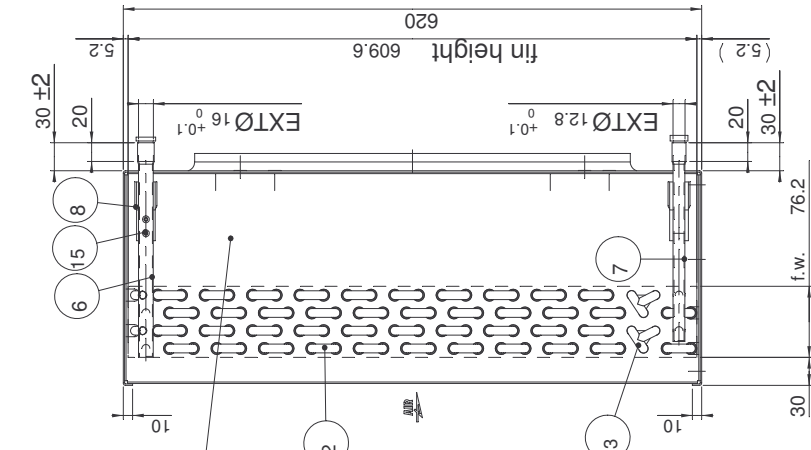


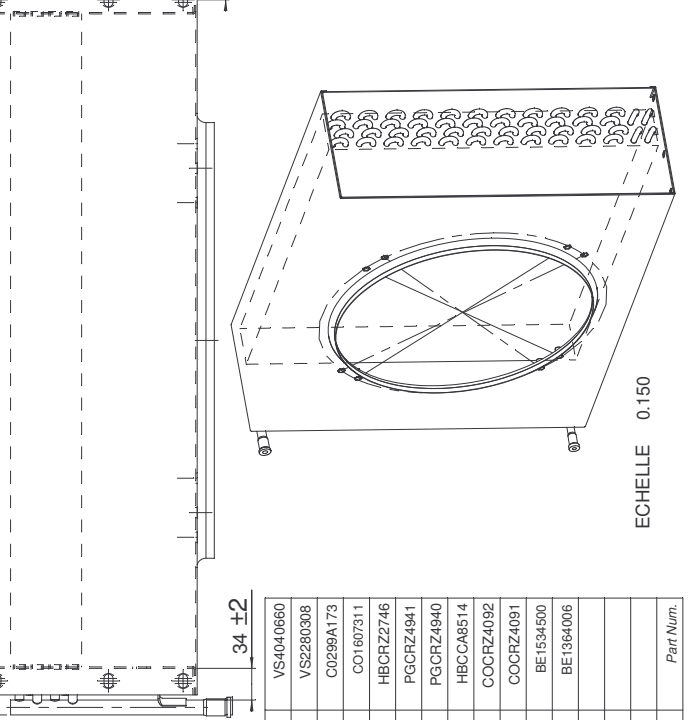
SCALE 0.400



Date:	27.9.06	Customer:	SPR	LUVATA	
Drawn:	LS	Reference Number:	C3S2 SPR14		
Checked:	APO	Description:	C3S2G042407002540041ALDG1AV-P-	Protection / Material: paintbarva Bizer	
<b>HEATCRAFT</b>	LUVATA Czech s.r.o. Vrazska 143, 153 00 Prague 16 Radošín Czech republic tel: +420 257 811 129		Part Number:	BP215K699	Revision /
			Scale:	0.3	Format: A3
				Sheet/Sheets: A3	2 / 2



15	4	RIVET Ø4	Steel/Steel	VS4040660	Part Num.
14	8	EURO HEXERT M8 Steel	Steel	VS2280308	
13	2	Tripode D : 22.9 gauche	Tube Cu 3/8	C0299A173	
12	42	Return bend (kolinko) R : 25.4	Tube Cu Ø3/8"	CO1607311	
11	1	Fan plate	Steel galva. 1.5/10	HBCRZ2746	
10	1	End plates	Steel galva. 1.5/10	PGCRZ4941	
9	1	End plates	Steel galva. 1.5/10	PGCRZ4940	
8	2	Equerre support	CUIVRE	HBCCA6514	
7	1	Outlet header	Copper O 1/2"	COCRZ4092	
6	1	Inlet header	Copper Ø 5/8"	COCRZ4091	
5	1	Plug	CAOUTCHOUJ	BE1594500	
4	1	Plug	CAOUTCHOUJ	BE1364006	
3	44	Epingle D : 25.4	Tube Cu Ø3/8"	smooth/laacka	
2	4	Epingle D : 22.9	Tube Cu Ø3/8"	smooth/laacka	
1	275	Fin left 3S2 4N 24T	ALU		
idx	Qty	Description	Material		Part Num.



Date: 27.9.06		Customer: SPR	LUVATA
Drawn: LS	C3S2 SPR14		
Checked: APO	Description: C3S2G042407002540041ALDG1AV-P-		Protection / Material: pambava Bizer
LUVATA Czech s.r.o. Vratislava 143, 153 00 Prague 16 Ruzdolin Czech republic tel.: +420 257 811 129		Part Number: BP215K699	Revision: /
HEXERTECH		Scale: 0.3	Sheet/Sheets: A2 / 1 / 2

This document is the property of LUVATA Czech s.r.o. It cannot be used, copy or reprinted without authorisation.