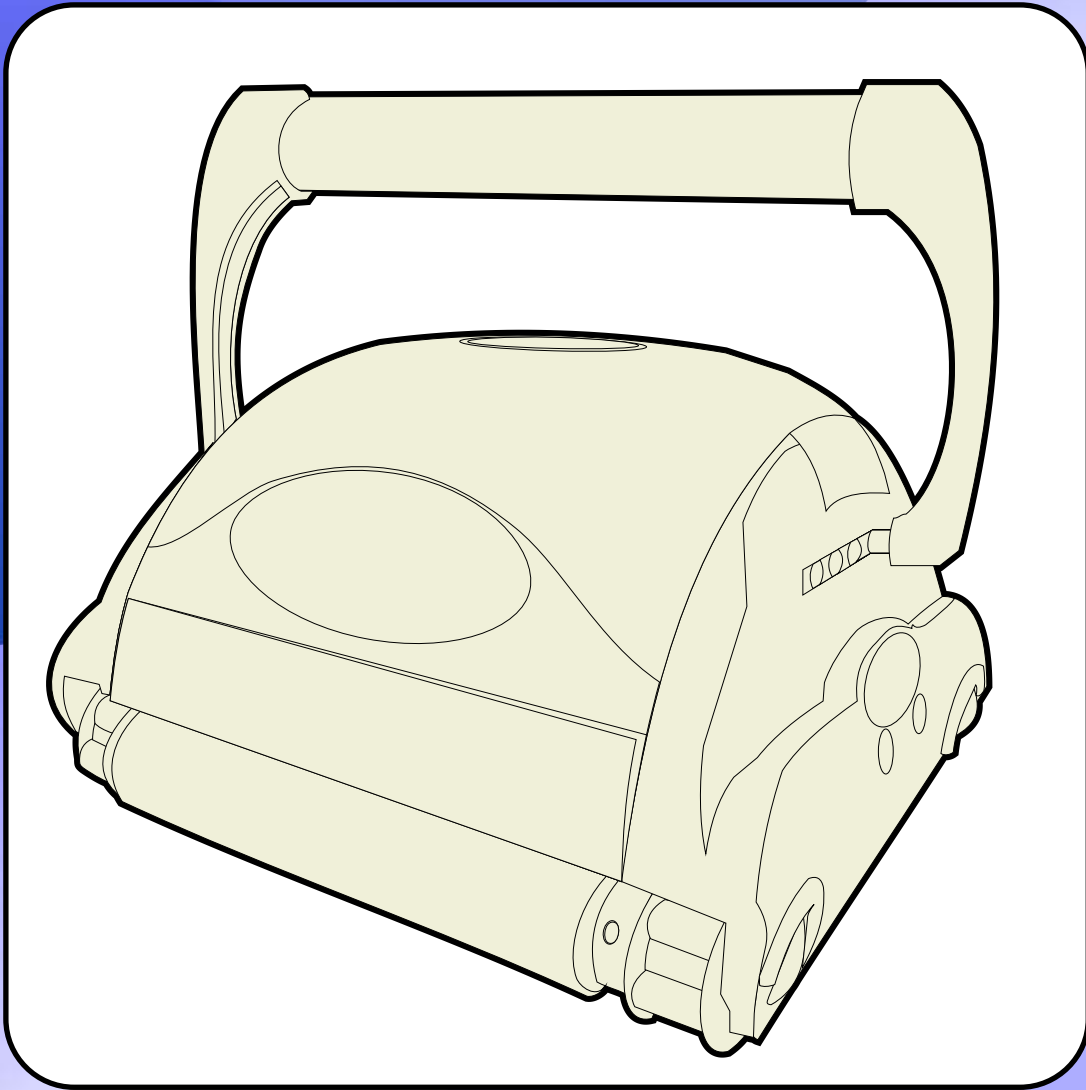
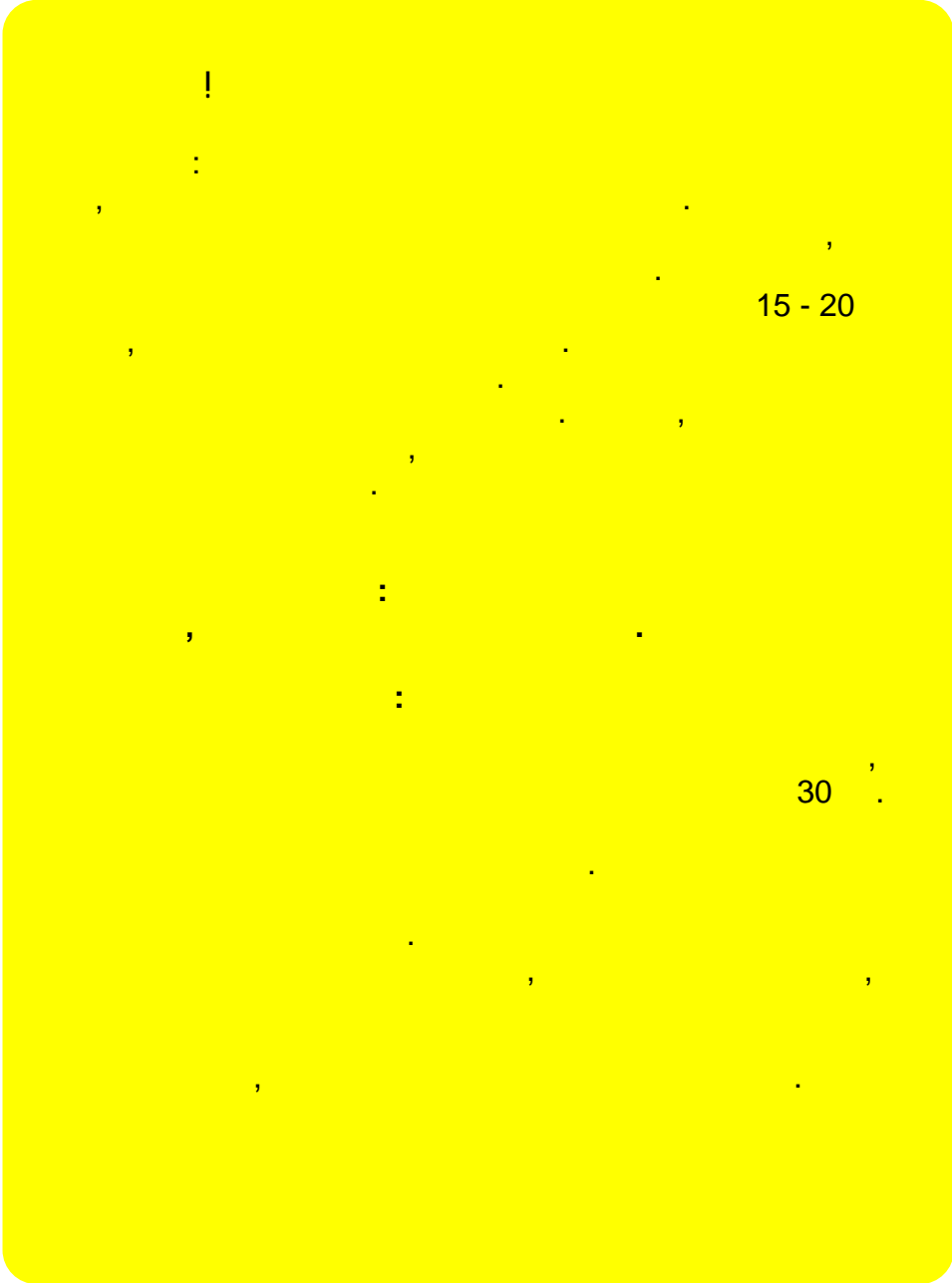
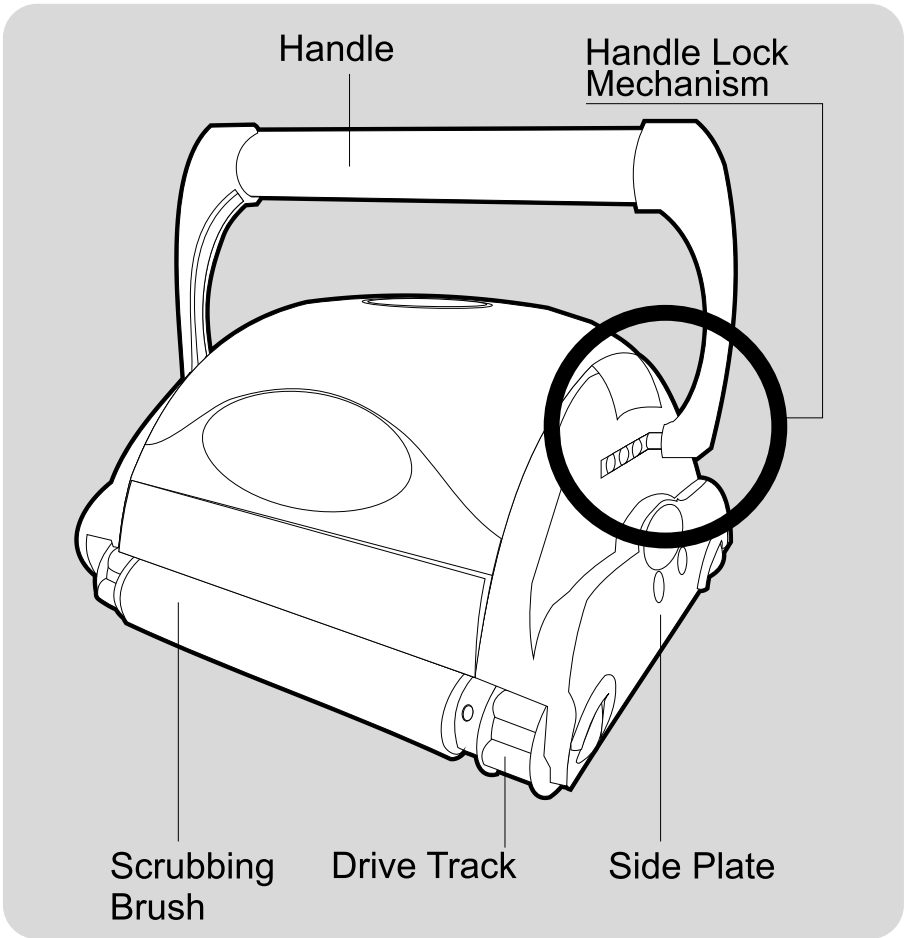


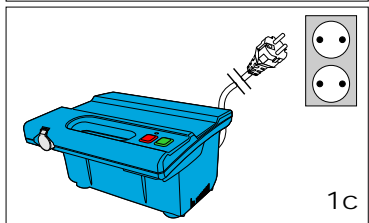
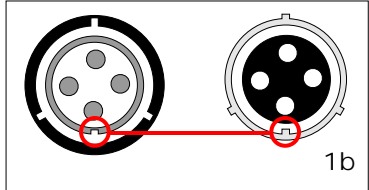
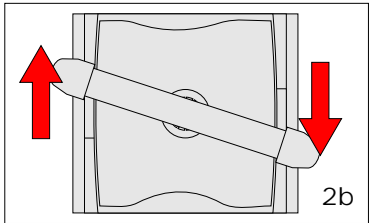
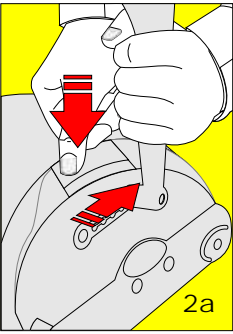
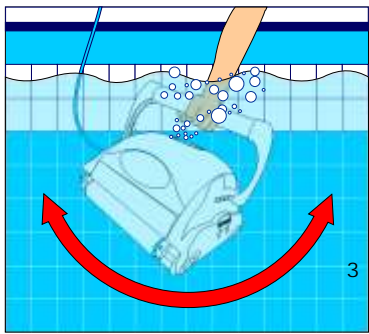
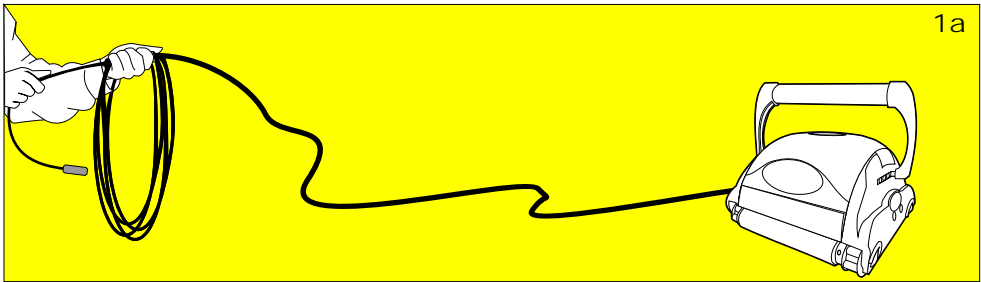
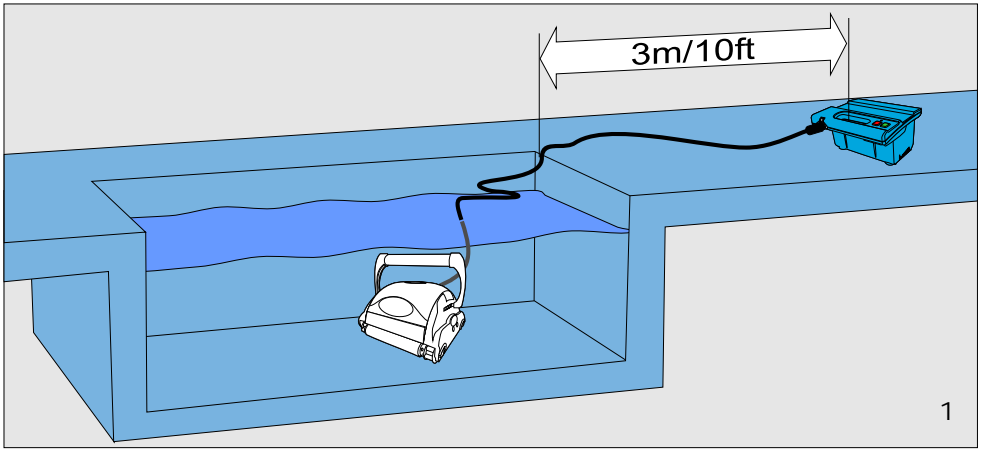
Operating Instructions

:

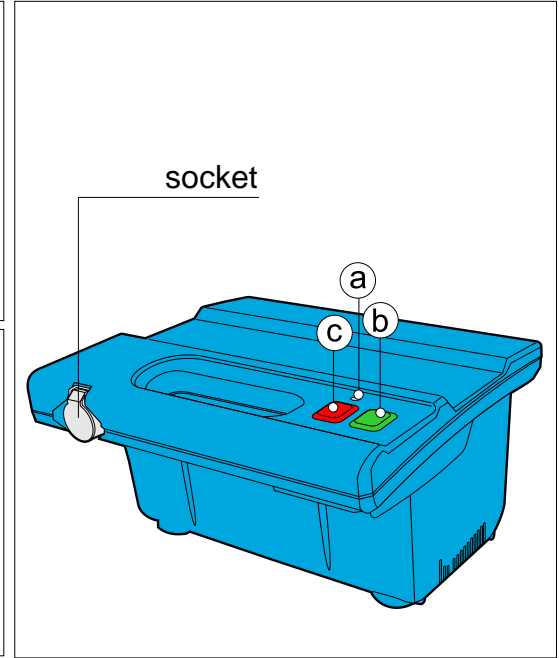
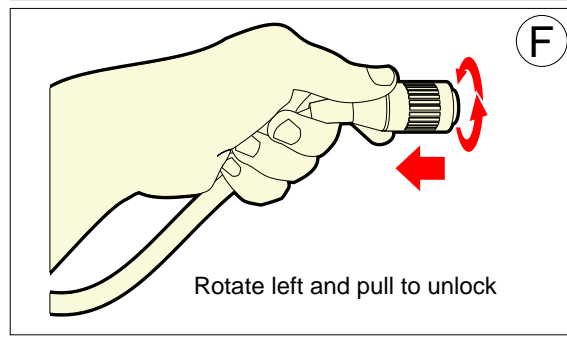
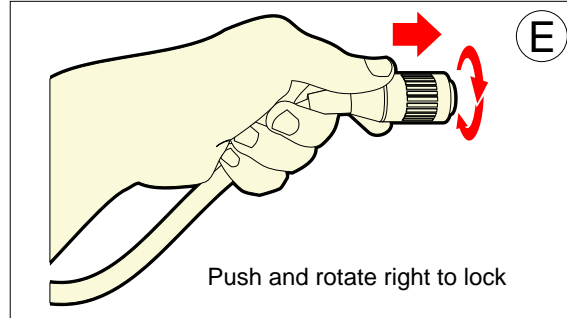
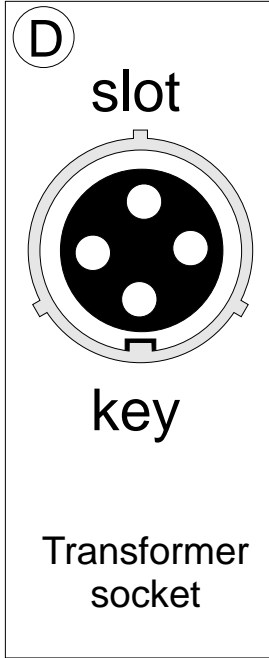
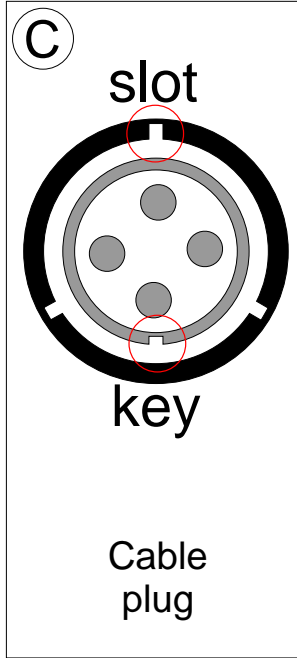
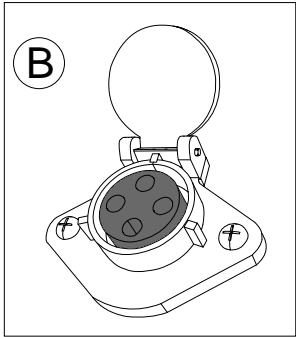
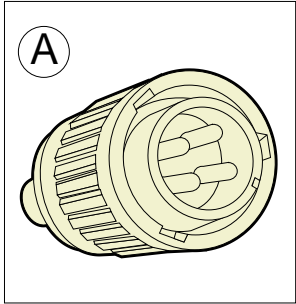
:







(See details on the next page)



(. .)

(. .),

:

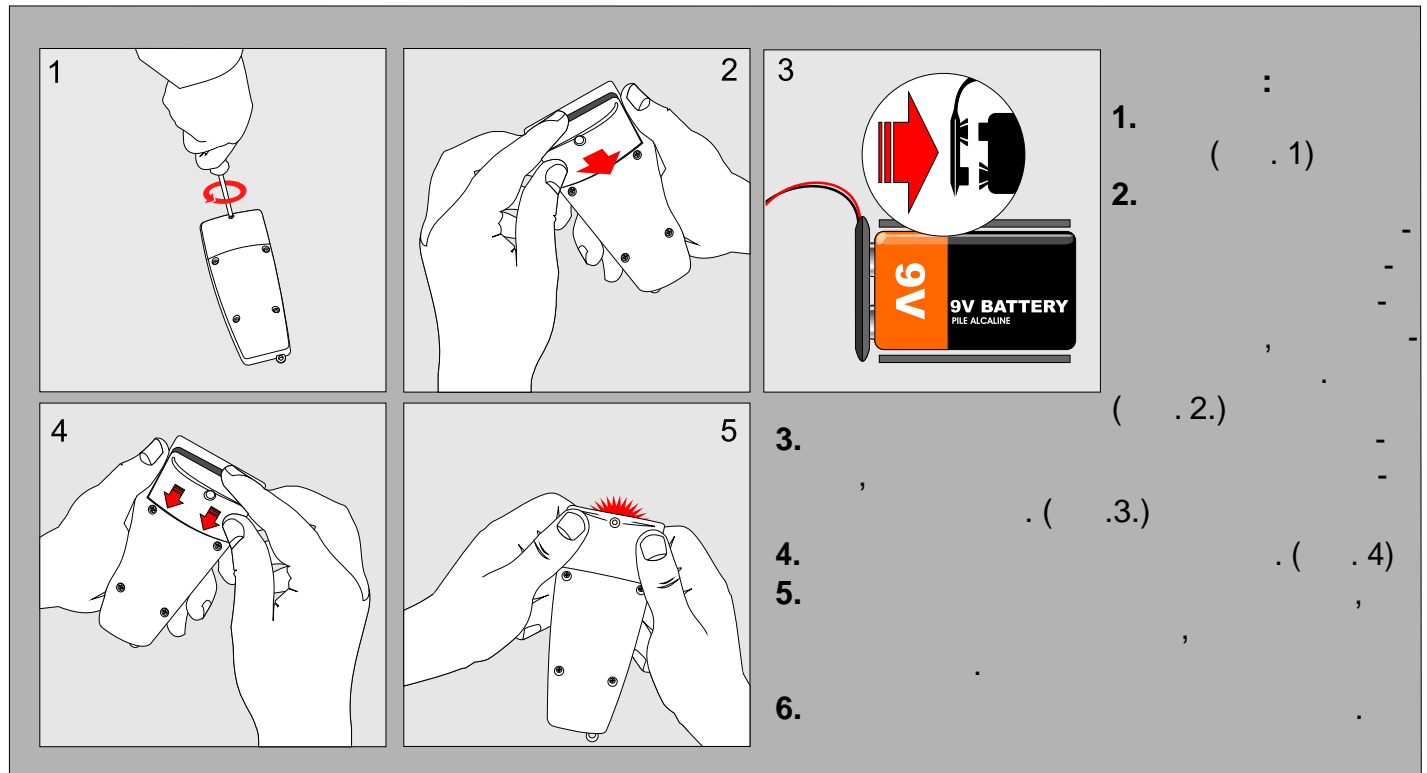
- 1.
- 2.
- 3.
- 4.
- 5.

- a. C
- b.
- c.

À

(. . D)

(. .).



Forward()/Reverse()

Right () Left (),

1: « »

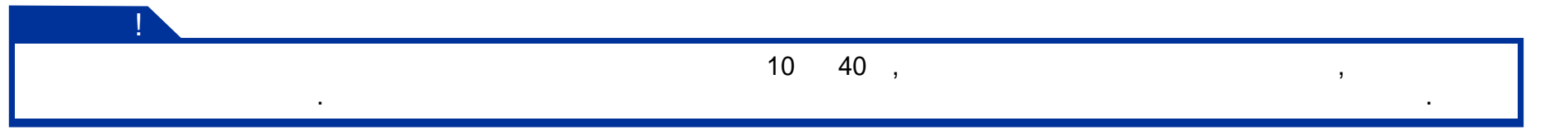
2: « » - « »

3 «Program»

« »

«Program»,

() « » ().



10 40 ,

Å

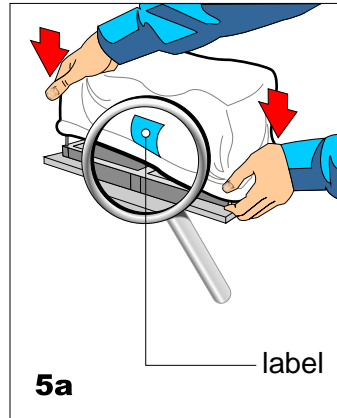
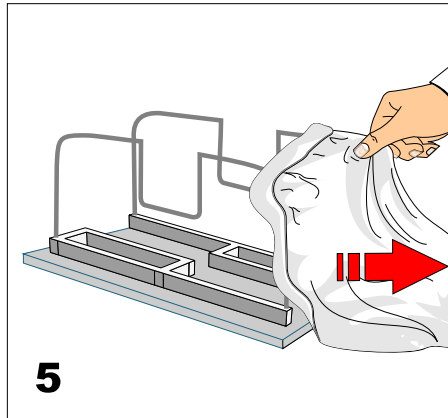
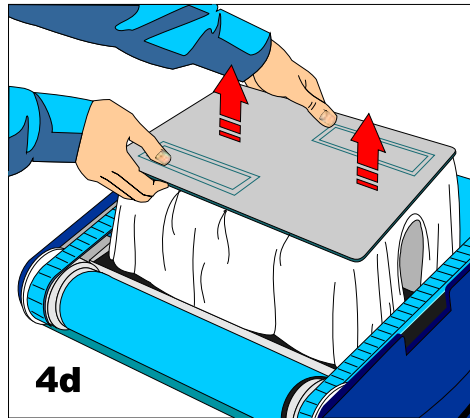
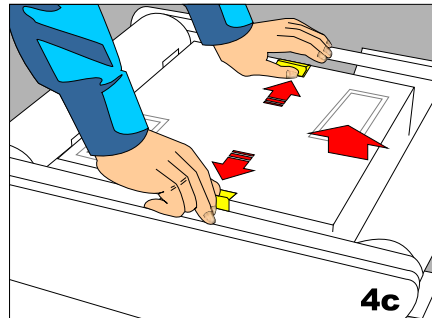
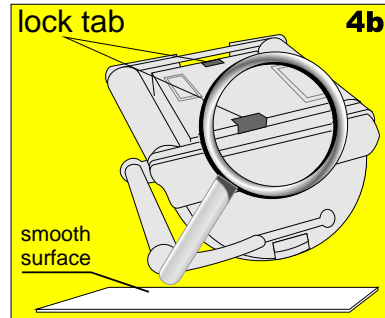
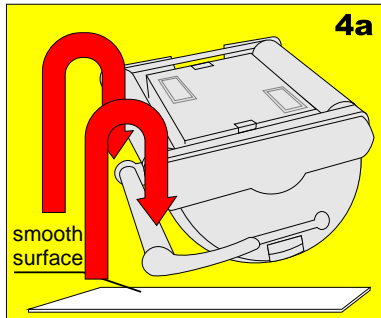
a. .(.)

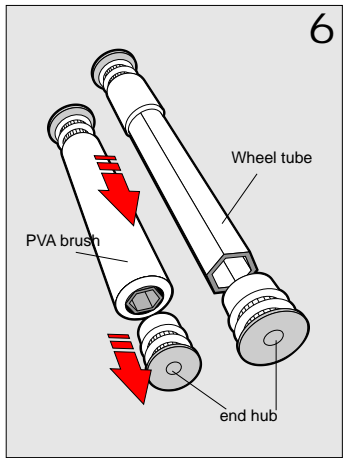
b. , (: , , !)

d. .(.4 , 4b, 4 , 4d) (,)

e. ! (.5)

f. , (.5).



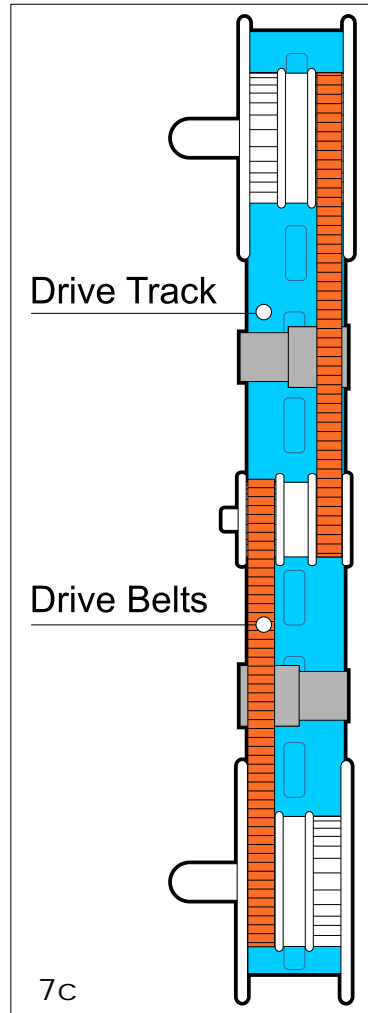
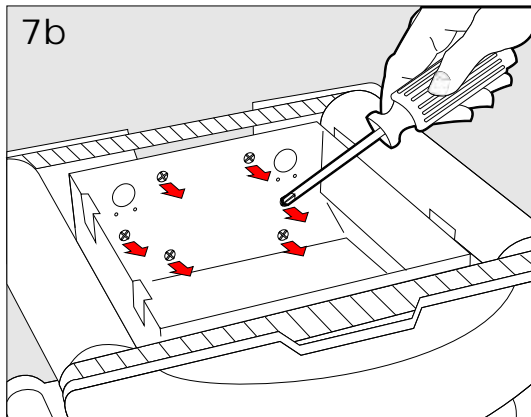
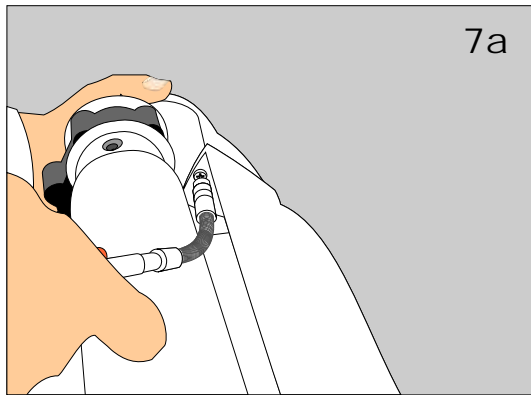


- a.
- b.
- d.
- e.

8

(. . . 7 , 7b)

(. . . 6.)



PVA ()

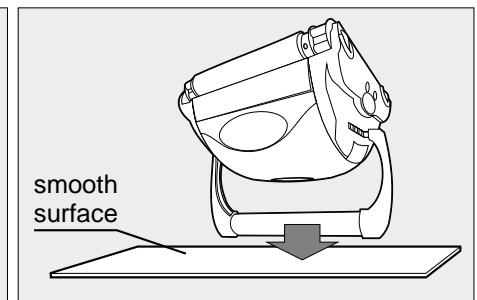
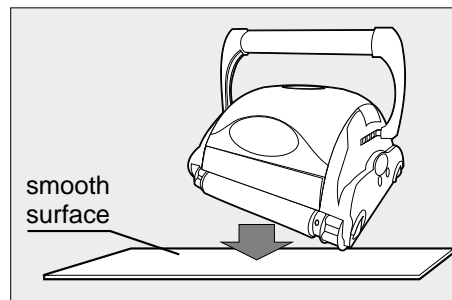
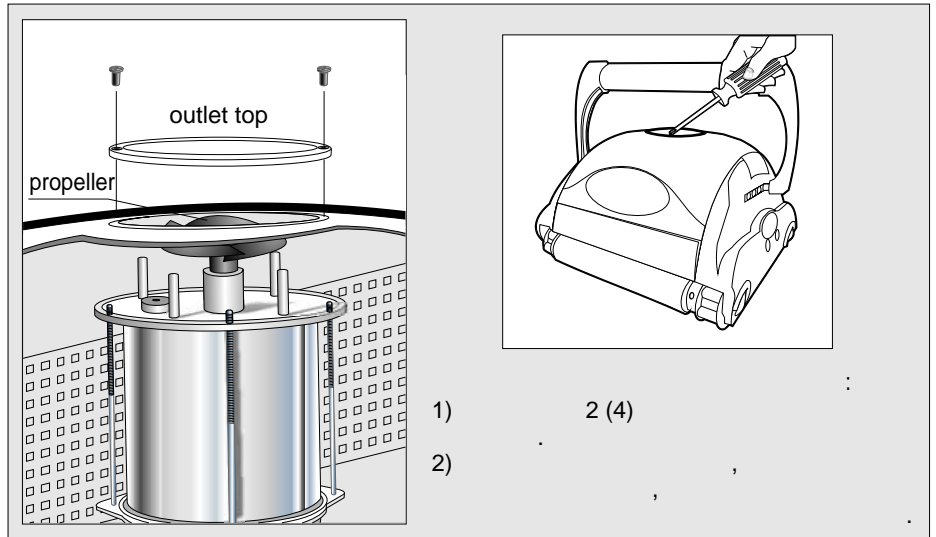
20

- a)
-)
-)
- e)

8

8

(4a, 4 , 4 , 4d);

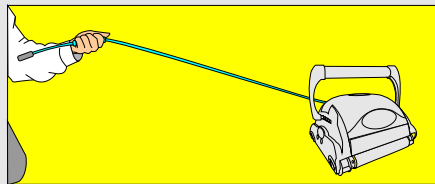
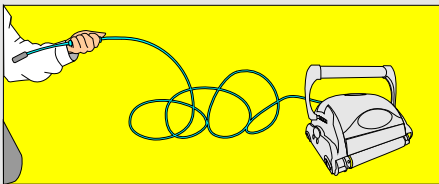
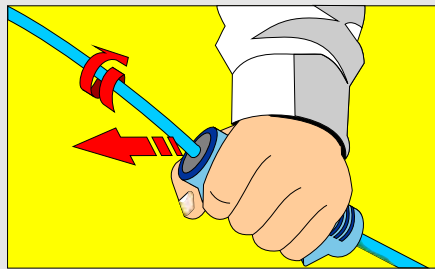
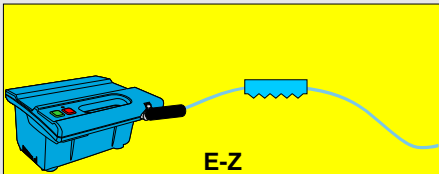


↑

1.	<p>a. (16)</p> <p>b. «ON» (21) «On» «Off» 45</p> <p>c. «OFF» (19)</p> <p>d.</p> <p>e.</p>
2.	<p>a. (1)</p> <p>b. (12)</p> <p>c. B</p>

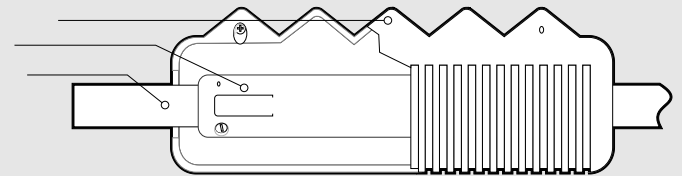
*The transformer cord can only be replaced with the aid of special purpose tools normally available only to authorized dealers, distributors and service centers.

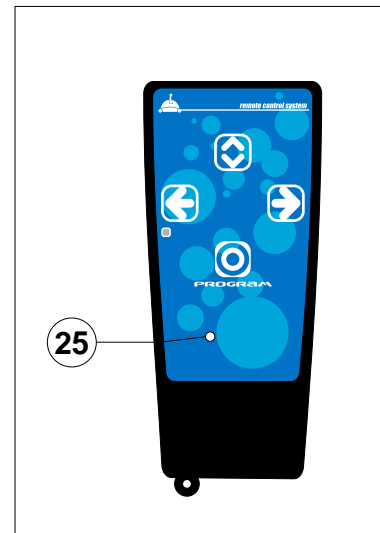
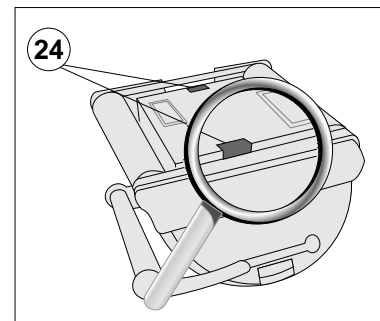
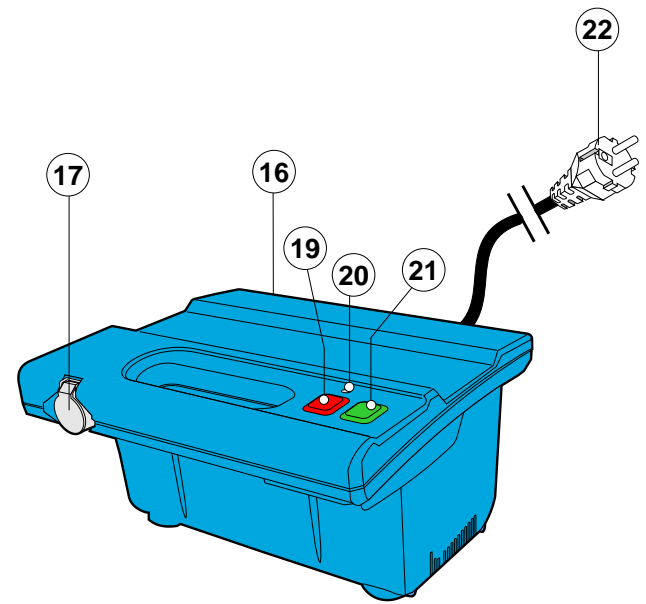
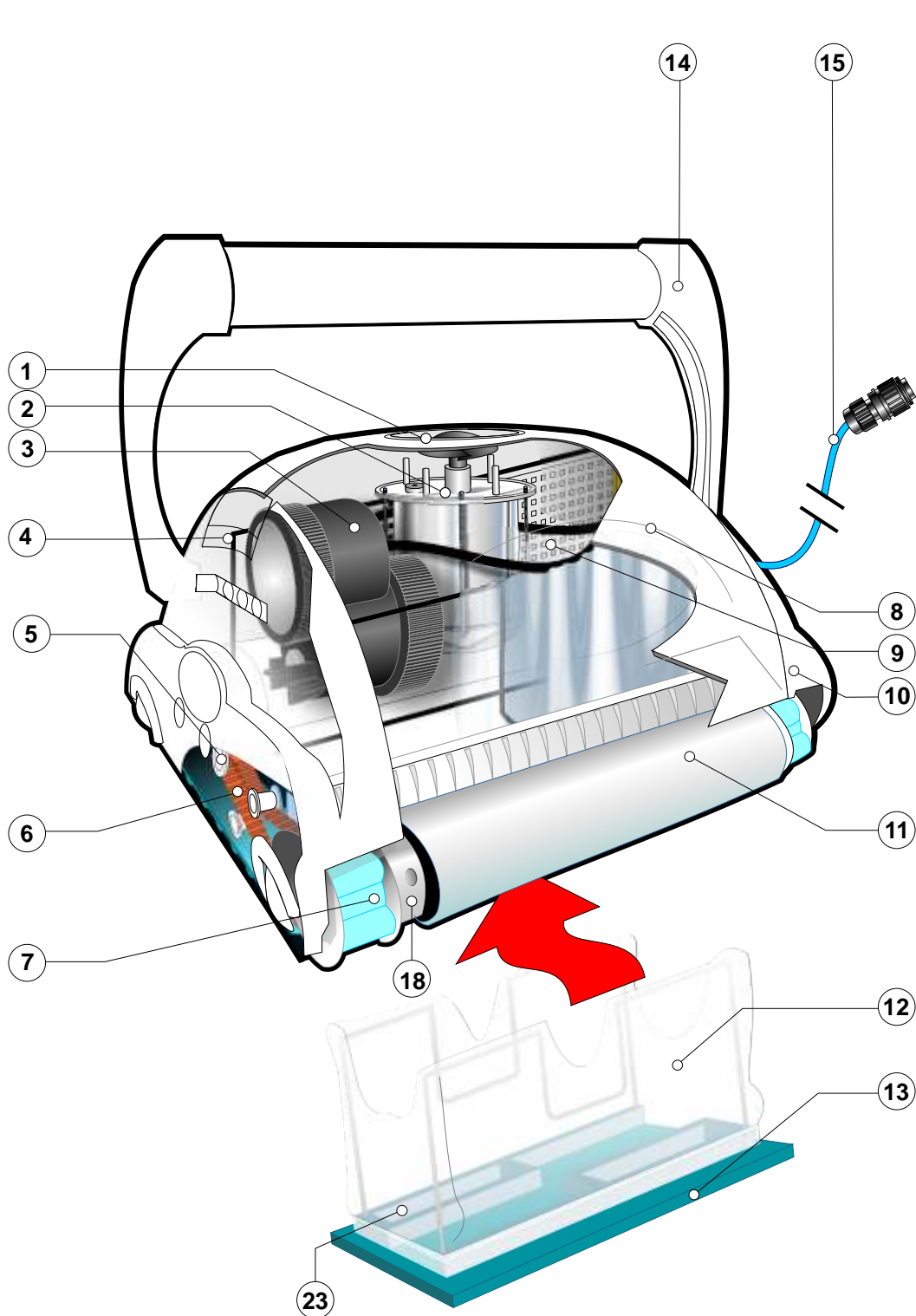
<p>6. ()</p>	<p>(25), b. (25) 30 (25)</p>
<p>7. ()</p>	<p>a. (24), b. (23) – (),</p>
<p>8.</p>	<p>a. b. E-Z ()</p>



(E-Z),

E-Z





Parts List

1. Outlet Top and propeller
2. Pump Motor
3. Drive Motor
4. Handle Locking Bracket
5. Pulley Assembly
6. Drive Belt
7. Drive Track
8. Body Assembly
9. Filter Screen
10. Side Plate
11. PVA Brushes
12. Filter Bag
13. Bottom Lid Assembly
14. Handle Assembly
15. Cable Assembly
16. Power Supply (Transformer)
17. Transformer Socket
18. Wheel Tube Assembly
19. "OFF" button
20. LED
21. "ON" button
22. Power Cord (Outlet)
23. Intake Valve Flaps.
24. Lock Tabs
25. Remote control (optional)