



Technical data

Voltage	U	230	V
Phase		1	~
Frequency		50	Hz
Speed		910	RPM
Power consumption	P _e	560	W
Nominal current	I	2.5	A
Maximum current	I	2.7	A
Capacitor		16/400	μF
Ambient temperature	T _{amb min/max}	-25...40	°C
Insulation Class		CLF	
IP Class Fan		IP55	
Weight		20.5	kg
Packing dimensions		800x790x395	mm

Fan details

Impeller blades	5
Impeller type	5
Impeller system	G
Impeller material	PG

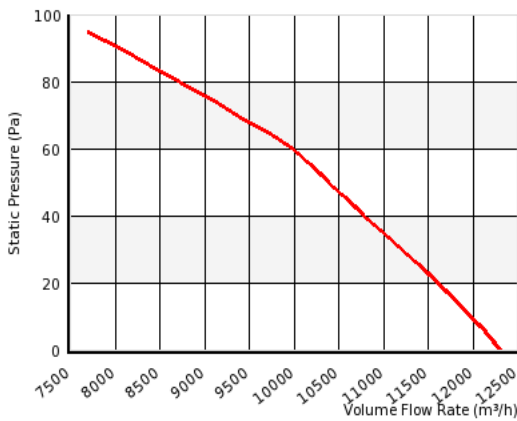
Control options

Triac controller	Yes
Transformer	Yes
Frequency drive	No
Intelligent Fan Drive	Yes

* All control options including single phase control frequency are available. Please contact Vostermans Ventilation Sales for more information

Characteristics

0 Pa	12300 m ³ /h
50 Pa	10400 m ³ /h



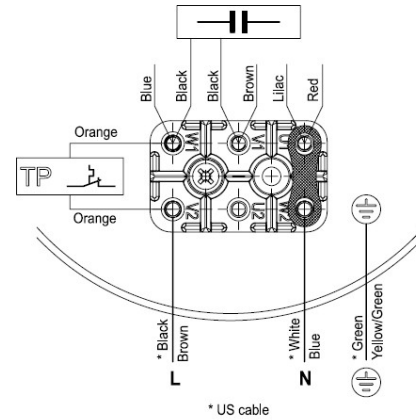
Please note: Picture may deviate from original product

Approval(s)

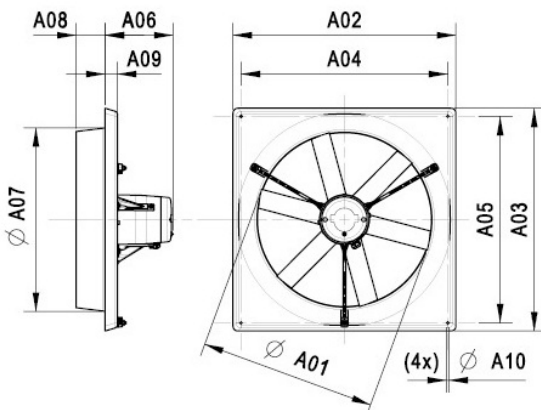


Wiring diagram - Fan

AA01 - CCW



Dimensions



A01:	646 mm
A02:	775 mm
A03:	775 mm
A04:	715 mm
A05:	715 mm
A06:	247 mm
A07:	670 mm
A08:	105 mm
A09:	40 mm
A10:	10 mm