

dol
SENSORS

MAKING SENSE IN YOUR PRODUCTION

DOL 44R

TECHNICAL USER GUIDE



For **other language variants** of this document we refer to www.dol-sensors.com or your local dealer.

TECHNICAL USER GUIDE

PRODUCT DESCRIPTION:

DOL 44R is a capacitive relay sensor for detection of feed, grain and solids. The sensors have relay output including switch function.

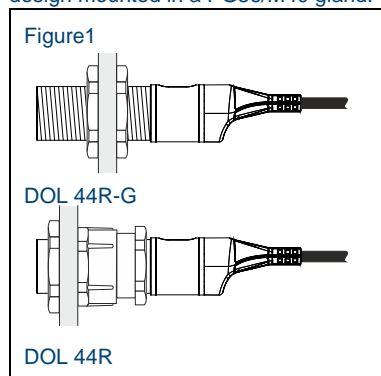
Fields of application:

- Level control in silos and containers
- Controlling the filling and emptying process.

MOUNTING GUIDE (FIG. 1):

DOL 44R includes M30 thread. Mount it in a $\varnothing 30$ mm hole and tighten using the locknuts included.

DOL 44R is made in a $\varnothing 30$ mm smooth design mounted in a PG36/M40 gland.



INSTALLATION GUIDE (FIG. 2):

Supply voltage is connected to the blue and brown wire.

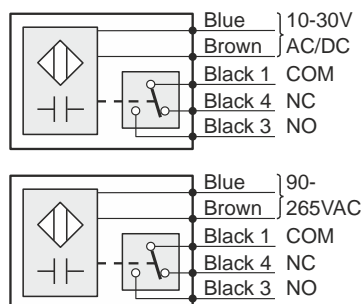
The load is connected in series with the relay contact of the sensor.

STOP by activating the sensor: Use the black wires 1 and 3.

START by activating the sensor: Use the black wires 1 and 4.

NOTE! The internal relay is in position NC when the supply voltage is connected and the sensor is activated - wire 1 and 4 are connected.

Figure 2: No-current sensor



USER'S GUIDE (FIG. 3):

Depending on its type, DOL 44R has two trimmers with different functionalities.

Delayed disconnection:

- Fixed time *or*
- Time adjustable on trimmer

Delayed connection:

- Fixed time *or*
- Time adjustable on trimmer

Sensitivity:

- Fixed distance *or*
- Distance adjustable on trimmer

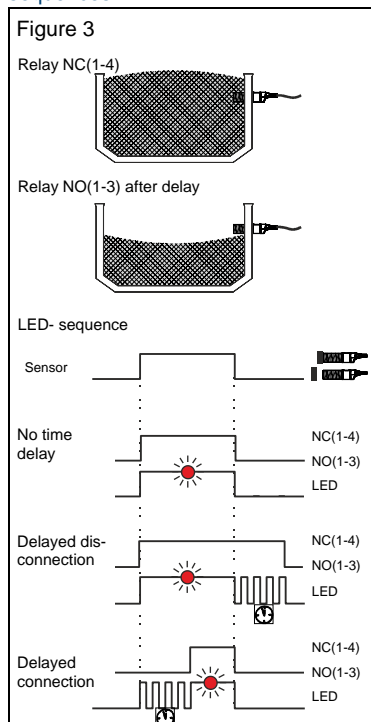
Max RunTimer:

- Settings on the trimmer: Off, Period 1, Period 2

The actual functionality of the sensor is indicated on the product label.

DOL 44R has a red LED, indicating sensor status.

Fig. 3 shows examples of LED sequences.



DOL 44RH has a built-in, controlled heat function which prevents frost and condensation on the sensor. This ensures optimum detection in very cold and damp environments.

The heat function is only possible for the 90-265 V AC voltage version.

TECHNICAL DATA:

Supply voltage:

Voltage version:	90 - 265 VAC
	47 - 63 Hz
Voltage version:	10 - 30V AC/DC
	47 - 63 Hz
Voltage version:	20 - 280V AC/DC
	47 - 63 Hz

Relay:

Max. resistive load, 250VAC:	5 A
Max. lagging load, 250VAC:	2 A
Min. relay current, 12 VDC	100 mA

Temperature:

Temp. operation:	- 20 °C - + 70 °C
	- 4 °F - + 158 °F
Temp. operation, USA and Canada:	- 20 °C - + 65 °C
	- 4 °F - + 149 °F
Temp. operation, storage:	- 30 °C - + 80 °C
	- 22 °F - + 176 °F
Temp. operation and storage with heat function:	- 40 °C - + 70 °C
	- 40 °F - + 158 °F

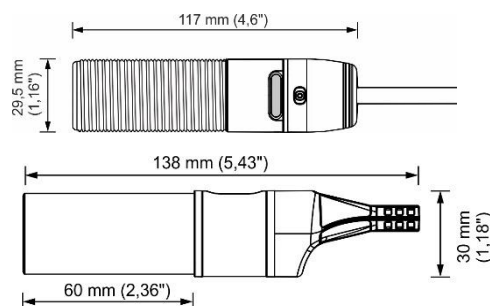
Degree of protection:

IP:	69k
NEMA:	1, 3, 4, 6, 12, 13

Cable:

Lenght:	2 m
	6.6 feet
Conductor dimensions:	5 x 0.5 mm ²
	5 x AWG20

Dimensions:



Approvals:

- CE
- UL
- C-UL