



LIGHTING SOLUTIONS



Turkey
Discover
the potential

LIGHTING SOLUTIONS



TTAF Elektronik Ltd was founded in Istanbul /Turkey in 2003, providing interconnect solutions for defense, aerospace, automotive, industrial, telecom and led lighting applications including: Wiring harnesses, Cable Assemblies, Optical Fiber, Power, RF, Molded, Electromechanical Assemblies, Lighting Systems and IP rated outdoor solutions.

Servicing our diverse customers worldwide from our state of the art manufacturing facilities in Istanbul(6000sqm closed area) and Ankara(4000sqm closed area), TTAF is now a global interconnect solutions and cable assembly leader always valuing customer satisfaction.

After more than 30 years in the connector marketplace, TTAF capitalized to create own wire harness and cable assembly business offering wiring harness assemblies using optimum grade wire and other material with the help of cutting-edge machines in adherence to set electronic industry norms.

TTAF is ISO9001:2015, ISO14001, AS9100D, TSE, IPC/WHMA-A-620B, UL, CE, ATEX, ETL & certified to meet even the most demanding quality standards.



50W ~ 140W

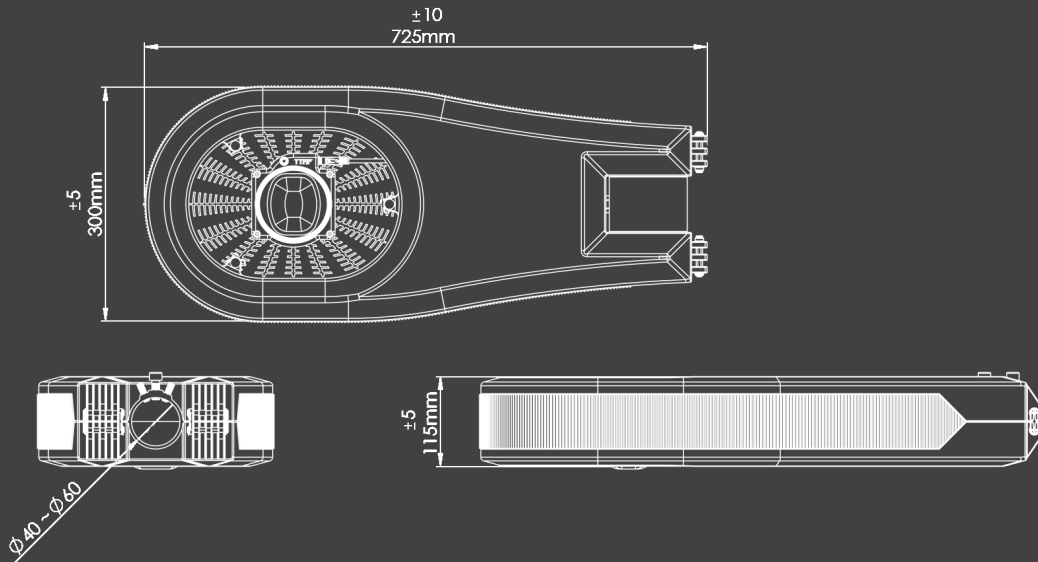
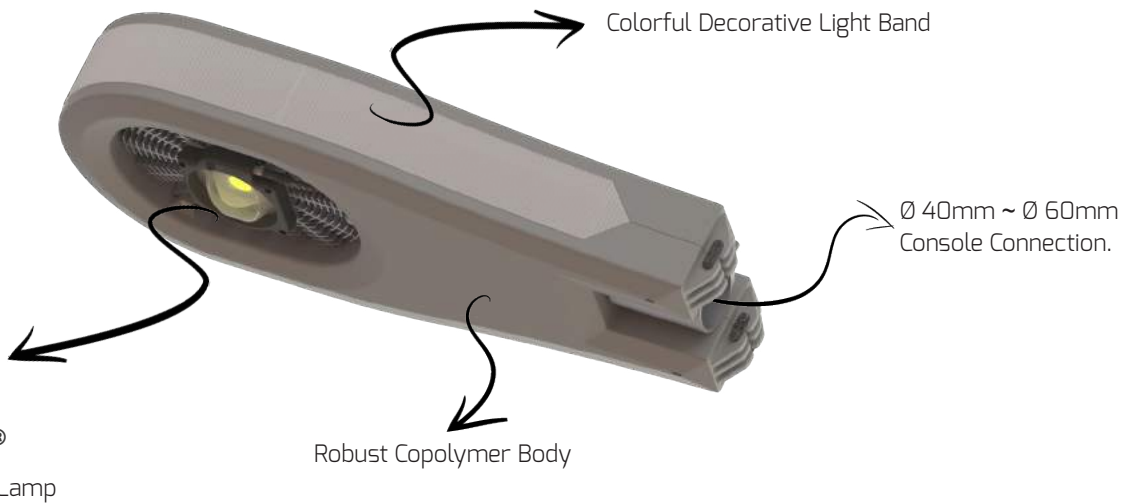
CE EN 60598-1
EN 60598-2-3



APUS® simply denotes quality with:

- * Its unique design.
- * Different power, color and optical options.
- * Constant current power supply provides efficient power in wide voltage range.
- * Excellent surge protection feature.
- * TYPE HL, Class I, Division 2 IP67 led driver that can be used at risky areas.
- * High temperature resistant and impact resistant engineering plastic body.
- * Perfectly cooling with custom design anodized aluminum heatsink.
- * Easy Lamp replacement feature with only 4 screws.
- * Powerful console mounting.
- * Stainless steel components and fasteners.
- * Low investment cost and fast return on investment.

With this profoundly unique concept; roads, streets and pedestrian area will be more energetic, more colorful and more secure.





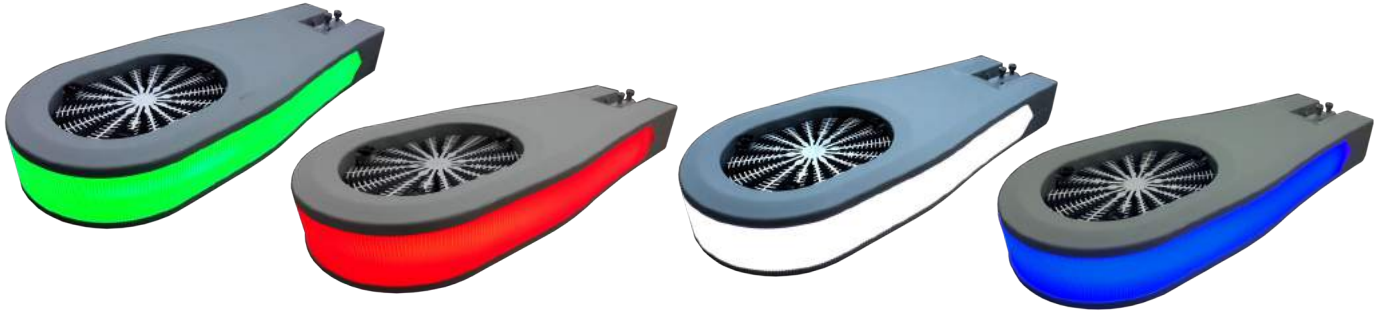
50W ~ 140W

CE EN 60598-1
EN 60598-2-3



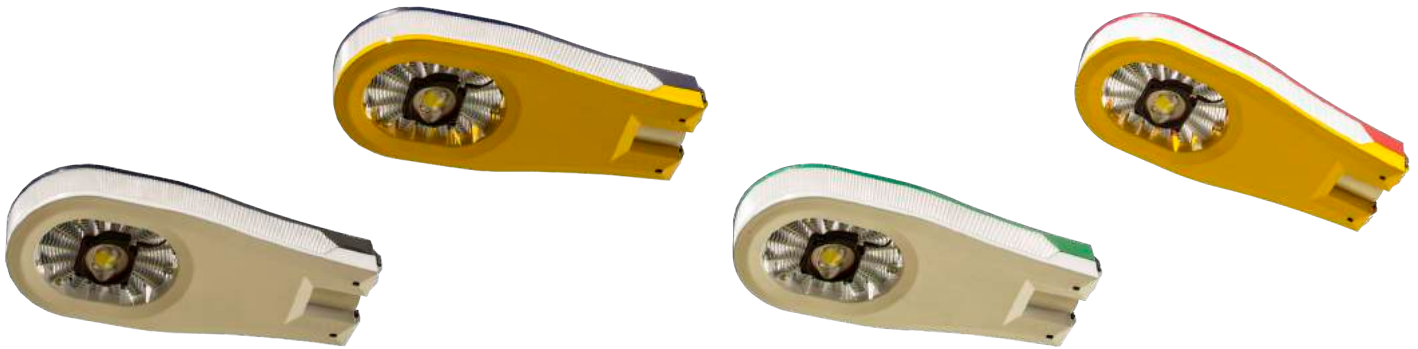
Decorative Light Lid:

Decorative light lid of APUS® encircled with LED's simply stands out.



Body Color:

Various color options of APUS® can enliven your life!



Technical Specifications	Product Code				
	APUS-50	APUS-70	APUS-90	APUS-110	APUS-140
Lighting Power	51 W	73.5 W	92 W	114 W	138 W
Output Luminous Flux	5.750 lm	7.650 lm	11.550 lm	13.100 lm	14.250 lm
Decorative Lighting Power	6W ~ 10W				
Operating Voltage	127 ~ 250V 50-60 Hz				
Input Surge Protection	6 kV Line-Line, 10 kV Line-Earth				
Power Factor (Cosφ)	Min. 0,95				
Electrical Insulation Class	Class I				
Operating Temperature	-25°C ~ +45°C				
Light Source	COB LED 28mmx28mm				
Color Temperature	2200K ~ 6500K				
CRI	Ra> 70				
Optical Compartment Tightness Level	IP66				
Control Gear Tightness Level	IP67				
Impact Resistance	IK08				
Console Mounting Diameter	40mm ~ 60mm				
Body Material	Engineering Thermoplastic				
Optical Lens	Borosilicate Glass				
Decorative Light Lid Equipment	PC				
Heatsink Material	Anodized Aluminum				
Body Color	RAL 7042 or any Color Upon Request				
Packing Dimensions	730 x 305 x 110 (mm)				
Product Weight	7 kg				

5 Lamps In 1 Case

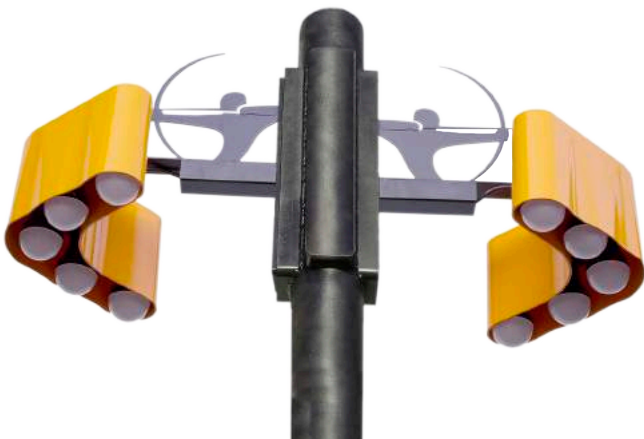
**Your Spaces; Enlivened With Your Own Colors,
Marked With Your Own Brand, Illuminated Just As You Wished For.**

***MALEFIZ®** is designed to meet all indoor/outdoor lighting needs with its practical and stylish lines and flexible color and logo options.

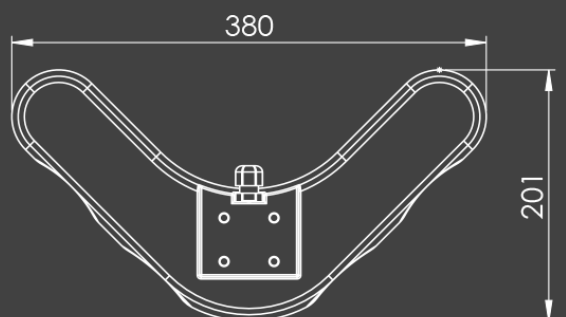
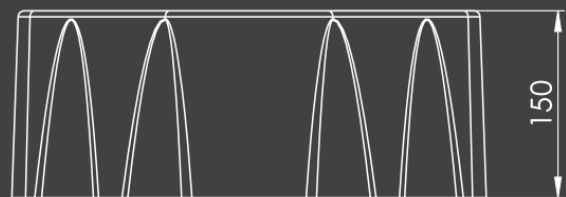
***MALEFIZ®** is ideal for outdoor use and it can either be mounted on the wall or on the pole.

***MALEFIZ®** can contain up to 5 pcs of E27 lamps and lamps can be replaced in the field within seconds. Length of the foot can be adjusted as per request and any logo or shape can be added.

*In order to customize the space that is illuminated. Thanks to its plastic body, **MALEFIZ®** is economical and color range is unlimited.



Technical Specifications	Product Code
Lamp Power	Max. 5x25Watt
IP Class	IP65 (While bulbs are plugged)
Operating Voltage	250V
Operating Temperature	-40°C ~ +55°C
Electrical Insulation Class	Class II
Technical Specs Of Lamp Holder	E27 VDE & SAA/CE
Body Material	ABS With UV Protection
Impact Resistance	IK08
Dimensions	380x150x201mm
Weight	0.9kg



5 Lamps In 1 Case



Color Options

* Color options are unlimited based on customer preferences.

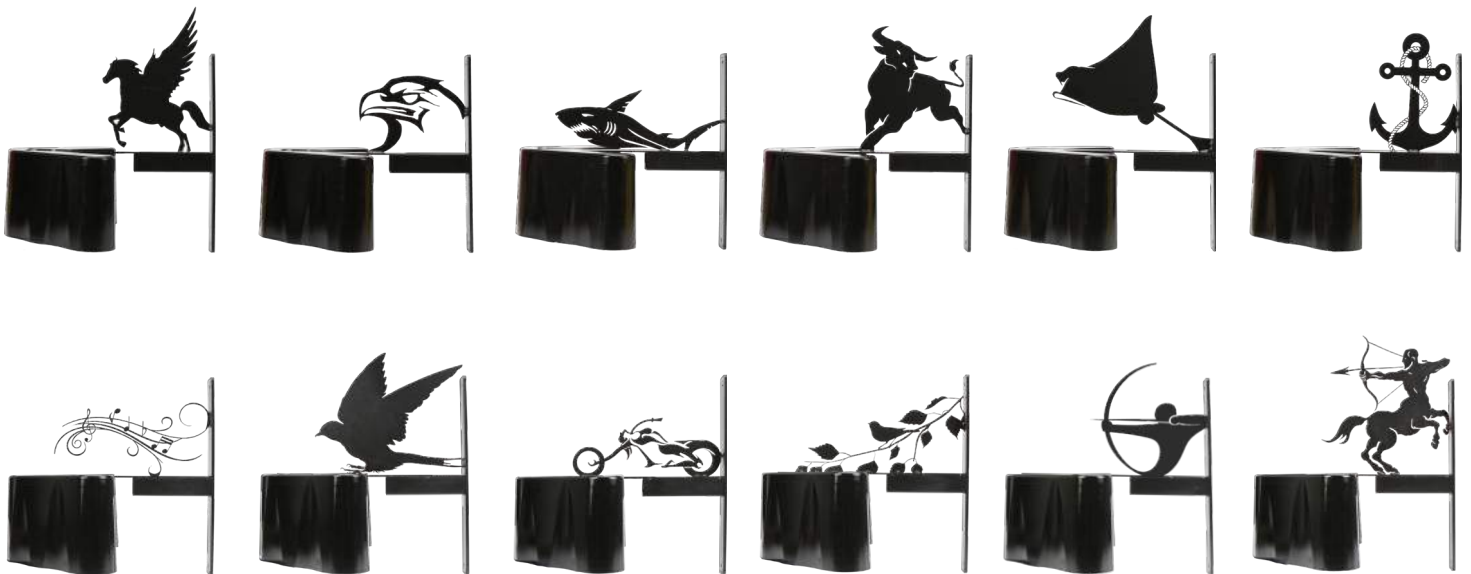


Special Colors

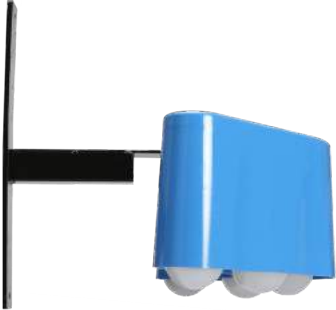


Logo / Shape Options

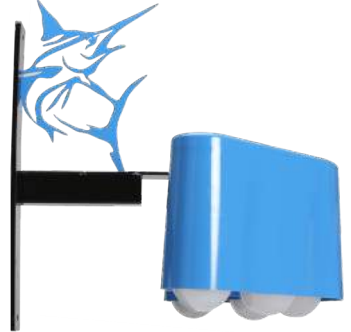
* Logo / Shape options are unlimited based on customer preferences.



5 Lamps In 1 Case



MLF - 02 Series
MALEFİZ With Mounting Pole

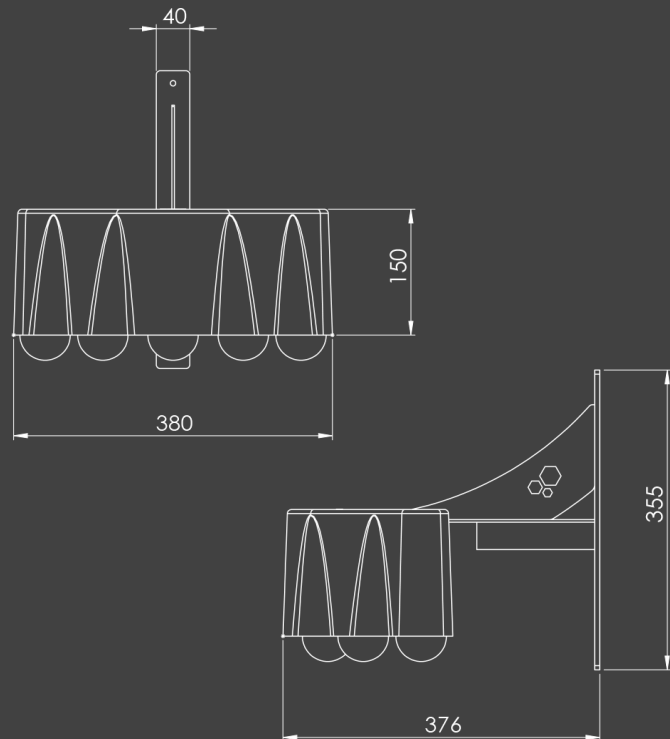


MLF - 03 Series
MALEFİZ With Mounting Pole and Figure



* Please visit our web site for more colour and logo / shape options

Technical Specifications	Product Code
Lamp Power	MLF-02 & MLF-03
IP Class	Max. 5x25Watt
Operating Voltage	IP65 (While bulbs are plugged)
Operating Temperature	250V
Electrical Insulation Class	-40°C ~ +55°C
Technical Specs Of Lamp Holder	Class II
Body Material	E27 VDE & SAA/CE
Impact Resistance	ABS With UV Protection
Dimensions	IK08
Weight	380x150x201mm
	0.9kg



5 Lamps In 1 Case



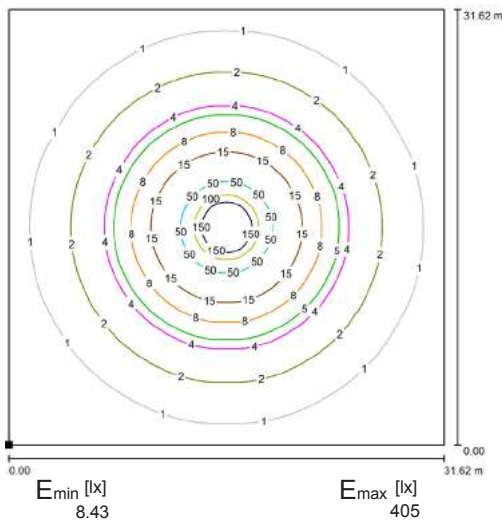
108W ~ 216W

UFLED-150 PORTABLE LIGHT TOWER

UFLED was designed to meet lighting requirements at open areas such as gardens, campgrounds, construction fields, rescue activities.

- *Weatherproof, robust, user-friendly, plug'n play design.
- *360° lighting angle which is ideally for landscape lighting.
- *High lighting performance with low energy consumption.
- *Lithium Ion battery that enables operation continuously up to 12 hours without energy consumption.

With 150W UFLED including 6 pieces 150cm LED tubes at 1000m² area 8,40 lux average and 405 lux max. illuminare.

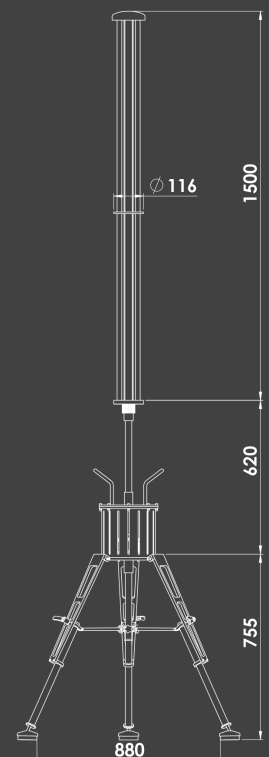


*Luminous tubes height of 150cm

The power generator consists of Lithium-Ion battery



Technical Specifications	Product Code			
	UFLED-150-120	UFLED-150-150	UFLED-150-175	UFLED-150-230
Led Quantity Per Meter	84	84	120	120
Led Brand	Samsung	Nichia	Samsung	Nichia
Power Consumption (W)	108	144	162	216
Luminous Flux (lm)	8850	12600	12600	18000
Color Temperature	2700 ~ 6500 K			
IP Class	IP65			
Operating Voltage	20 ~ 28 VDC or 100 ~ 277 V.			
Weight	30kg			
Max. Wind Velocity	60 Km/h			
Battery System	Lithium ion (Li-ion) battery , 24V 60Ah			
Footprint	max. 0.61 m ²			



216W ~ 432W



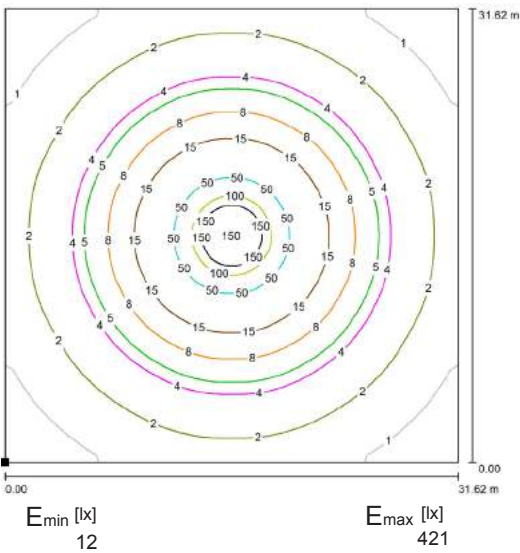
UFLED 300 PORTABLE LIGHT TOWER

*Luminous tubes height of 300cm

UFLED was designed to meet lighting requirements at open areas such as gardens, campgrounds, construction fields, rescue activities.

- *Weatherproof, robust, user-friendly, plug'n play design.
- *360° lighting angle which is ideally for landscape lighting.
- *High lighting performance with low energy consumption.
- *Lithium ion battery that enables operation continuously up to 6 hours without energy consumption.

With 300W UFLED including 6 pieces 300cm LED tubes at 1000m² area 12 lux average and 420 lux max. illuminate.



The power generator consists of Lithium-Ion battery



Technical Specifications	Product Code			
	UFLED-300-230	UFLED-300-300	UFLED-300-350	UFLED-300-450
Led Quantity Per Meter (pcs)	84	84	120	120
Led Brand	Samsung	Nichia	Samsung	Nichia
Power Consumption (W)	216	288	324	432
Luminous Flux (lm)	17640	25200	25200	36000
Color Temperature (K)	2700 ~ 6500			
IP Class	IP65			
Operating Voltage	100 ~ 277 V.			
Weight	24kg			
Max. Wind Velocity	50 Km/h			
Footprint	max. 2.5 m ²			



Rotatable Lamp Cover

Cable Fixture Clipse

Aluminum Rod

Waterproof Connector

20cm Removable Fixing Pile



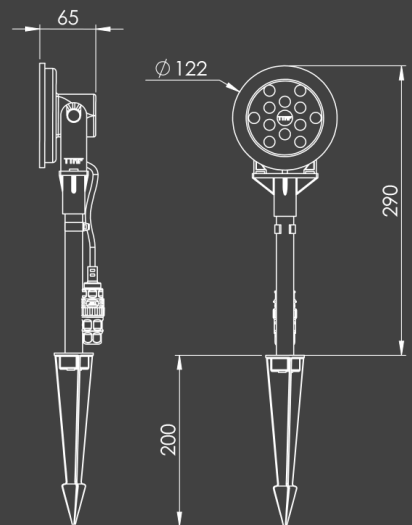
TTAF garden light is ideal for a variant of ambiance and is ideal for highlighting your plants with light.

Coming in a handy kit including everything you need to connect them,

- * Easy do it yourself installation kit.
- * Thanks to plastic body, safe usage in gardens, children playgrounds and wet areas.
- * Lightweight, portable, demountable, storable.
- * Perfectly IP67 waterproof body for outdoor use
- * Vertical and horizontal rotatable lamp head
- * Special plastic pile and mounting mechanism ensuring durability.
- * 6 different light color options appealing to different tastes and atmosphere.
- * Elegant look
- * Thoroughly functioning as a floodlight

Powered by
CREE

Technical Specifications	Product Code	
	EWL-02 007 U	EWL-02 007 F
Power Consumption Per Lamp	7W	7W
Color Temperature	Blue,Green,Red,Amber, 3000K, 4000K, 5000K, 6500K	Blue,Green,Red,Amber, 3000K, 4000K, 5000K, 6500K
IP Class	IP67	IP67
Operating Voltage	100-240 V. 50/60Hz	20-28 VDC
Pole Material	Hi-Grade Plastic	Hi-Grade Plastic
Lens Angle For Light Diffusion	Horizontal 50°-Vertical 35°, 12°, 30°, 60°, 90°	Horizontal 50°-Vertical 35°, 12°, 30°, 60°, 90°
Housing Material	Aluminum Electrostatic Finish	Aluminum Electrostatic Finish
Operating Temperature	-30°C ~ +50°C	-30°C ~ +50°C
Weight	0.61 kg	0.55 kg
Dimensions	490 x 122 mm	



* Different heights are available on request

**Cable Fixture
Clipse**

**Aluminum
Rod**

**Waterproof
Connector**

**20cm
Removable
Fixing Pile**



GEKTOR Bollard lighting fixture for E27 types bulbs.
Any E27 Lamps can be replaced.

Coming in a handy kit including
everything you need to connect them,
TTAF garden lights are very easy to
install.

- * Easy Do It Yourself Installation Kit.
- * Lightweight, portable, demountable, storable.
- * Perfectly IP67 waterproof lamp socket for outdoor use
- * Special picket mounting mechanism ensuring durability.
- * Elegant look



***Different type E27 bulbs.**

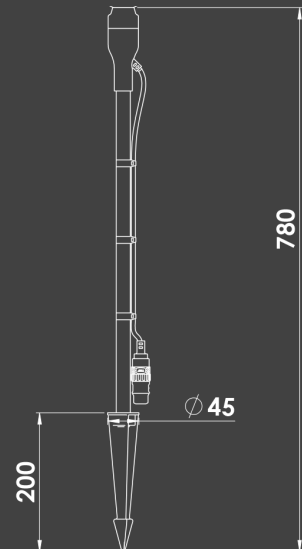


Technical Specifications

Product Code

EWL-02 003 N

Power Consumption Per Lamp	25W max.
IP Class	IP65 (only while suitable bulb plugged)
Operating Voltage	100-220V 50/60Hz
Pole Material	Hi-Grade Plastic
Housing Material	Aluminum Electrostatic Finish
Operating Temperature	-30°C ~ +50°C
Weight	
Length of Luminaire	Up to 780 mm



ESL-01

Floodlight

80 - 125W



EN 60598-1
EN 60598-2



ESL-01 Floodlight is a combination of :

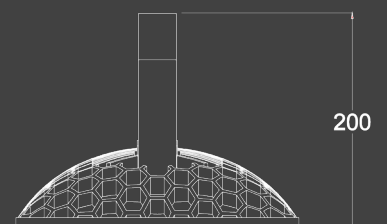
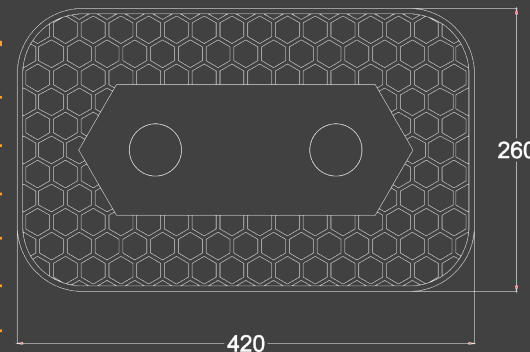
- Die cast aluminum heatsink resistant to harsh environment conditions and suitable for wide working temperature.
- Professional optical lens made of high quality high borosilicate glass efficiency over 95%.
- Highly efficient COB LED that provides the latest LED technology
- LED driver with very strong surge protection features and 100-240V line voltage.

Different option Lens angles are available

Powered by



Technical Specifications	Product Code	
	ESL-01 080 U 50 C 90	ESL-01 125 U 50 C 90
Power Consumption	80W Pf:0,96	125W Pf:0,99
Luminous Flux	9900 lm	14514 lm
Lighting Efficiency	123,6 lm/W	117 lm/W
Color Temperature	5000 K	5000 K
IP Class	IP65	IP65
Operating Voltage	100-240 V. 50/60Hz	100-240 V. 50/60Hz
Lens Material	High Borosilicate Glass	High Borosilicate Glass
Lens Diameter	Ø 78mm	Ø 78mm
Lens Angle	90°	90°
Housing Material	Die Casting Aluminum	Die Casting Aluminum
Operating Temperature	-40°C ~ +55°C	-40°C ~ +55°C
Weight	5.5 kg	5.5 kg
Luminaire Dimensions	420x260x83 (mm)	420x260x83 (mm)



ESL-02

Floodlight

180 - 240W

CE EN 60598-1
EN 60598-2



ESL-02 Floodlight is a combination of :

- Die cast aluminum heatsink resistant to harsh environment conditions and suitable for wide working temperature.
- Professional optical lens made of high quality high borosilicate glass efficiency over 95%.
- Highly efficient COB LED that provides the latest LED technology
- LED driver with very strong surge protection features and 100-240V line voltage.

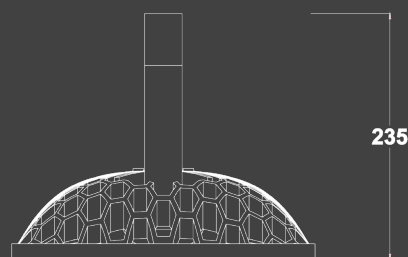
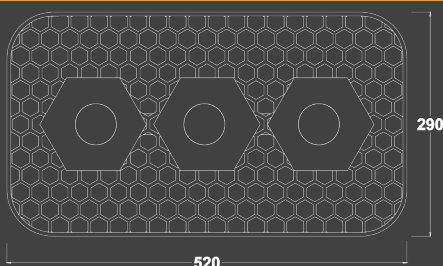
Different option Lens angles are available

Powered by



INVENTRONICS

Technical Specifications	Product Code		
	ESL-02 180 U 50 C 90	ESL-02 240 U 50 C 45	ESL-02 240 U 50 C 90
Power Consumption	180W Pf:0,96	240W Pf:0,97	240W Pf:0,96
Luminous Flux	24000 lm	28982 lm	33170 lm
Lighting Efficiency	133 lm/W	122 lm/W	138 lm/W
Color Temperature	5000 K	5000 K	5000 K
IP Class	IP65	IP65	IP65
Operating Voltage	100-240 V 50/60Hz	100-240 V 50/60Hz	100-240 V 50/60Hz
Lens Material	High Borosilicate Glass	High Borosilicate Glass	High Borosilicate Glass
Lens Diameter	Ø 78mm	Ø 78mm	Ø 78mm
Lens Angle	90°	45°	90°
Housing Material	Die Casting Aluminum	Die Casting Aluminum	Die Casting Aluminum
Operating Temperature	-40°C ~ +55°C	-40°C ~ +55°C	-40°C ~ +55°C
Weight	6.8 kg	6.8 kg	6.8 kg
Luminaire Dimensions	520x290x87 (mm)	520x290x87 (mm)	520x290x87 (mm)



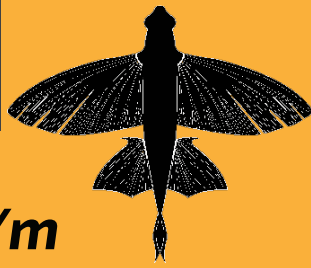


Bar Mountable Floodlight



Karga is a fully rotatable floodlight that can light all directions – up and down / right and left.

Technical Specifications	Product Code	
	ESL-10 035 U C	ESL-10 030 H C
Power Consumption	35 W Pf:0,98	35 W Pf:0,98
Operating Voltage	100-240V 50/60Hz	48 VDC
Lens Angle	45° - 60° - 90°	45° - 60° - 90°
Luminous Fluxlm	
Lighting Efficiencylm/W	
Color Temperature	2700 ~ 5700K	
IP Class	IP66	
Lens Material	High Borosilicate Glass	
Lens Diameter	50 mm	
Housing Material	Aluminum	
Operating Temperature	-40°C ~ +55°C	
Weight	1.6 kg	
Luminaire Dimensions	175x110x100 (mm)	



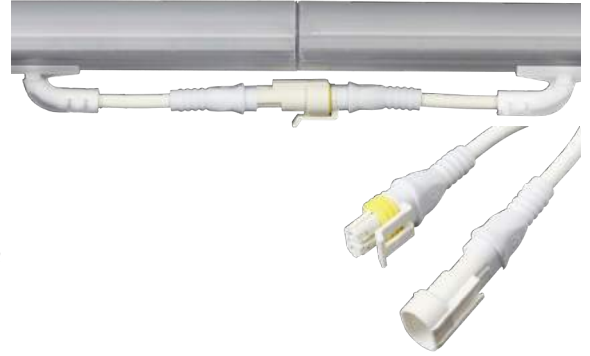
Volans® is linear light tube produced based on IP67 standards.

It can be used for either indoor or outdoor lighting since it is resistant to harsh outdoor environment conditions.

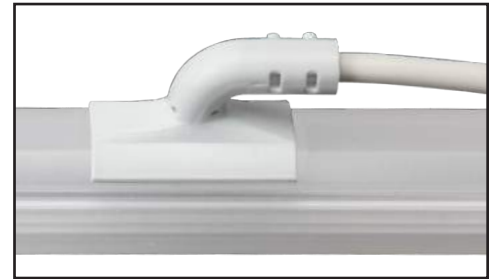


Volans®, can be fixed to the requested angle and position by 180° adjustable brackets and screws. Volans®, can be mounted to the requested place with the holes on the feet. In case that requested on metal surface, it can be mounted by strong neodymium magnets without using any screws.

It can be produced at a length between 25cm to 300cm. Attaching multiple pieces side by side with IP68 waterproof connectors, any requested length can be obtained.



Termination points are closed with 1mm-thick covers in order to avoid any shadow or light discontinuity.

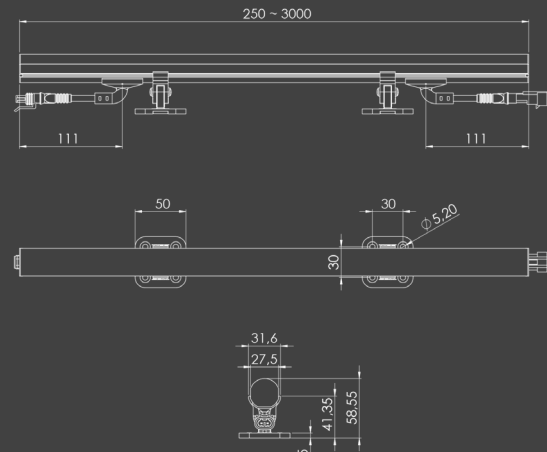


Cable entries are welded on Volans with vulcanized injection method designed by TTAf engineers, to provide perfect water protection.

Volans compatible with DALI and DMX controlled PWM drivers



Technical Specifications	Product Code			
	EVS-01	EVS-02	EVS-03	EVS-04
Led Quantity Per Meter (pcs)	120	84	120	84
Led Brand	Nichia	Nichia	Samsung	Samsung
Power Consumption (W / m)	24	16	18	12.6
Luminous Flux (lm)*	2000	1400	1635	1150
Color Temperature	2700 ~ 6500 White (2700 ~ 6500 K) Red, Green, Amber, Blue			
IP Class	IP67			
Operating Voltage	19 ~ 30 VDC			
Flicker	%0 (Depending on PSU)			
Operating Temperature	-40°C ~ +50°C			
*Only for white				





Scorpius is dot LED produced based on IP67 standards. It can be used for either indoor or outdoor lighting since it is resistant to harsh outdoor environment conditions and vibrations. It provides practical advantages with its built-in IP67 connectors and modular structure.

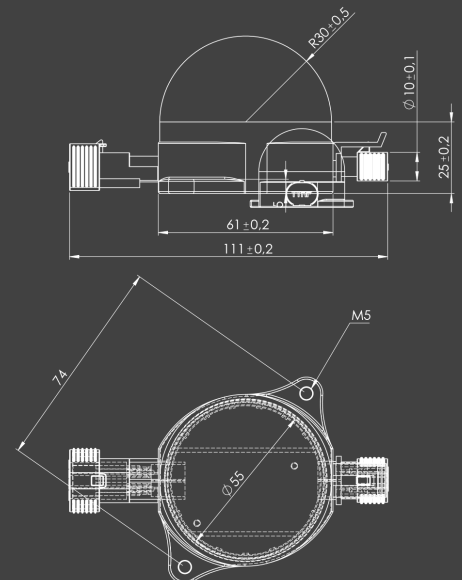


Scorpius®, is resistant to thermal and mechanical impacts thanks to its robust body formed of polycarbonate diffuser and the engineering plastic casing white and black colour options.

Scorpius®, offers a colorful world with 7 different color options. Warm White, Cold White, Red, Amber, Green, Purple and Blue.



Technical Specifications	Product Code	
	ESC-01 204	ESC-01 007
Power Consumption	2.4W	6.5W
Luminous Flux	224 lm	580 lm
Operating Voltage	21.5 ~ 30 VDC	210 ~ 240V
Color Temperature	(3000 ~ 6000 K), Red, Green, Amber, Blue, Purple	
IP Class	IP67	
Housing Material	Hi-Grade Plastic	
*Only for white		





2.4 ~ 6.5W



With IP67 connectors on Scorpius, 120 pcs of Scorpius at 220 V model and 80 pcs Scorpius at 24VDC model can be attached side by side in order to provide a long and reliable light source.



Connecting scorpius with cables



By connecting many Scorpius with cables, the distance between these units can be set as desired



KARAFATMA Highbay light is a combination of :

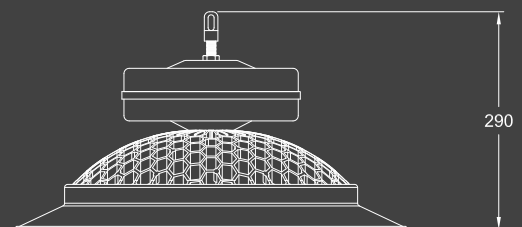
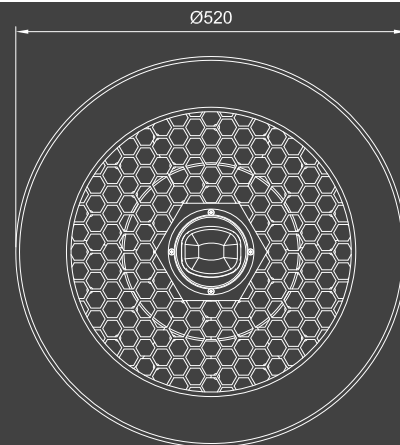
- Die cast aluminium heatsink resistant to harsh environment conditions and suitable for wide working temperature.
- Professional optical lens made of high quality high borosilicate glass, over over 95%.
- Highly efficient COB led that provides the latest LED technology
- LED driver with very strong surge protection feature and 100-240V line voltage.

Different option Lens angles are available

Powered by



Technical Specifications	Product Code
	ESL-06 080 U 50 C 90
Power Consumption	80W Pf:0,99
Luminous Flux	10388 lm
Lighting Efficiency	128 lm/W
Color Temperature	5000 K
IP Class	IP65
Operating Voltage	100-240 V. 50/60Hz
Lens Material	High Borosilicate Glass
Lens Diameter	Ø 78mm
Lens Angle For Light Diffusion	90°
Housing Material	Die Casting Aluminum
Operating Temperature	-40°C ~ +55°C
Weight	5.3 kg
Luminaire Dimensions	290x520 (mm)



200W


 Certification Number
E484783


Floodlight is a combination of :

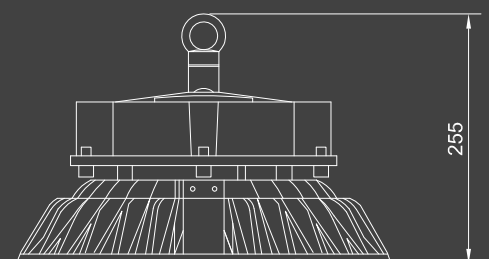
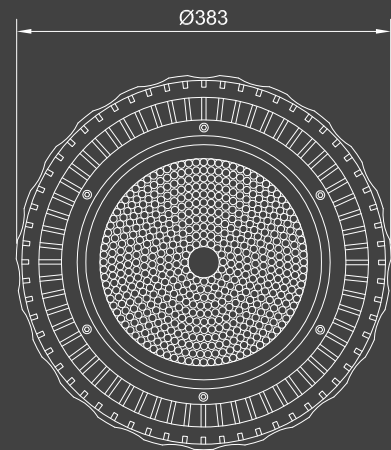
- Specially designed for heavy operating conditions
- Die cast aluminium heat sink resistant to harsh environment conditions and suitable for high working temperature.
- The optical lens was made with Hi-Grade Polycarbonate, the efficiency was over 94%.
- High efficient Nichia LED technology.
- LED driver with very strong surge protection feature and 100-240V line voltage.



Powered by



Technical Specifications	Product Code EML-200 U
Power Consumption	200W Pf:0,95
Luminous Flux	25800 lm
Lighting Efficiency	129 lm/W
Color Temperature	5000 K
IP Class	IP65
Operating Voltage	100-240 V. 50/60Hz
Lens Material	Hi-Grade PC
Housing Material	Die Casting Aluminum
Operating Temperature	-40°C ~ +60°C
Weight	8.0 kg
Luminaire Dimensions	282x257 (mm)





192W

CAYLAK is a manual movement mobile light tower which is easy installable and reliable for large field lighting applications such as disaster area lighting and rescue operations.

Designed by **TTAF** engineers **CAYLAK-296** have two high efficiency 96W floodlights. It is perfectly resistant to harsh environmental conditions, vibrations and sudden temperature changes and safely illuminates the area.

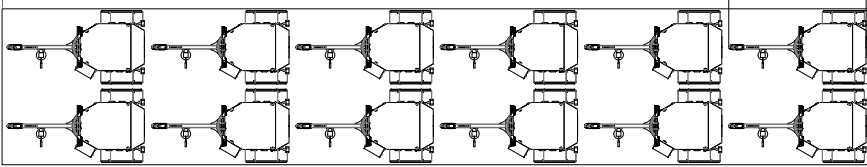
Lighting system of **CAYLAK** can manually be adjusted between 0-90 degrees up and down. It can be raised up to 4.60meters height by the handle in order to enlarge the area enlighten. Lighting system can be turned 180 degrees right and left manually. This up-down, right-left rotation enables perfect lighting at the target area.

Axle, trailer and pulling hook are compliant with DOT standards. Impact proof, compactly designed metal cabinet provides space for required equipment.

As an option **CAYLAK** has an energy efficient 3KVA generator with a fuel usage of 1.1 lt/hour, providing 10 hours continuous service. In case needed, any other generator with higher power can be used.



12 pcs in one 13m truck

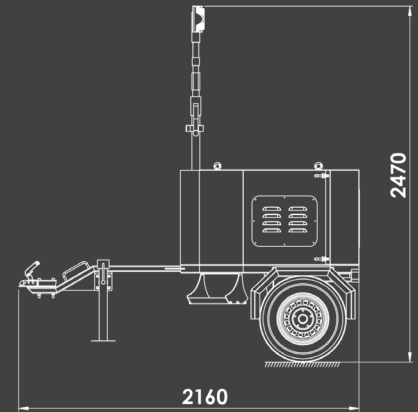
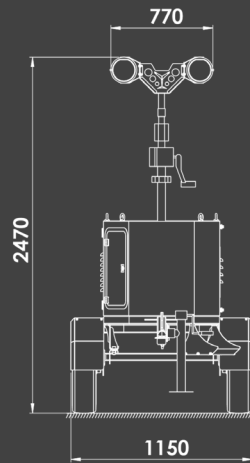


Technical Specifications

Light Power Consumption	192 W
Luminous Flux
IP Class	IP65
Operating Voltage	127-250 V. 50/60Hz
Operating Temperature	-25°C ~ +55°C
Pan Rotation Angle	360°
Tilt Rotation Angle	180°
Canopy Material	Galvanized Steel
Led Type	Power Led
Dimensions	2160x2470x1150
Weight	
Max. Height	4.6 mt

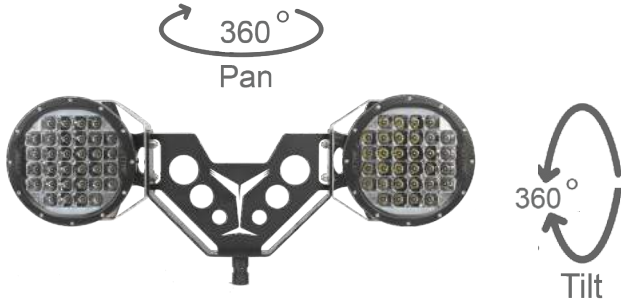
Product Code

CAYLAK-296





192W



Powered by
CREE

0 to
4.6 meter

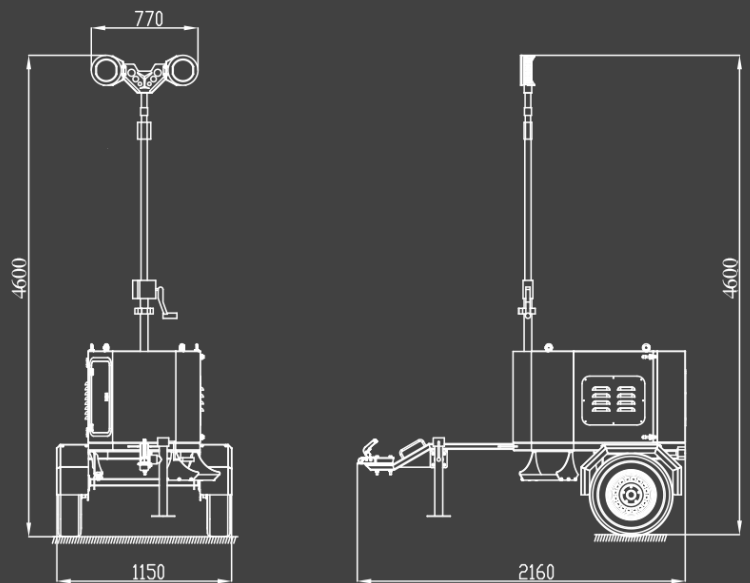
FLOODLIGHTS:

High brightness 215mm 96 W round LED lights design by TTAF is with durability and long-range performance. Offering combination of flood and spot beam.

- *Tilt angle 360° per lamp.
- *High pressure cast aluminum painted body.
- *IP68, IP69K rated protect level.
- *Over, under and reverse voltage protection.
- *Stainless steel brackets.
- *Scratch resistant lens, 100% clear.
- *Dual illumination - background light.
- *Anti-Rust & Anti-Corrosion, Vibration, Anti-interference.
- *Life time 50.000 h.

Technical Specifications Of Generator

AC Rated Power	2,5 kW
Maximum Power	2,8 kW
AC Rated Current	10 A
Voltage	230V
Frequency	50 Hz
Phase N.	1
Power Factor	0,80
Fuel Consumption	1, 1 lt/h.
Noise Level	76 dB
Fuel Tank Capacity	15 lt
Start Type	Electric
Fuel Type	Gasoline





384W

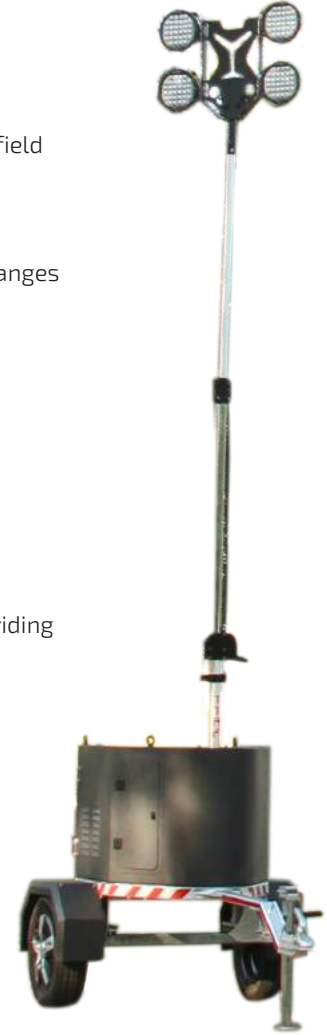
CAYLAK is a manual movement mobile light tower which is easy installable and reliable for large field lighting applications such as disaster area lighting and rescue operations.

Designed by **TTAF** engineers **CAYLAK**-496 have four high efficiency 96W floodlights. It is perfectly resistant to harsh environmental conditions, vibrations and sudden temperature changes and safely illuminates the area.

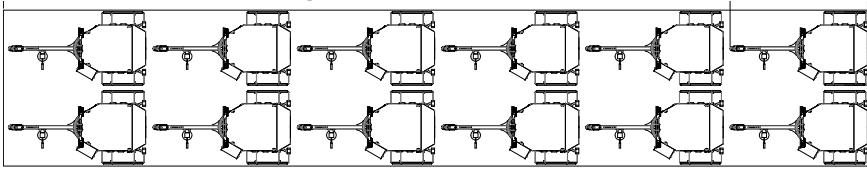
Lighting system of **CAYLAK** can manually be adjusted between 0-90 degrees up and down. It can be raised up to 4.85meters height by the handle in order to enlarge the area enlighten. Lighting system can be turned 180 degrees right and left manually. This up-down, right-left rotation enables perfect lighting at the target area.

Axle, trailer and pulling hook are compliant with DOT standards. Impact proof, compactly designed metal cabinet provides space for required equipment.

As an option **CAYLAK** has an energy efficient 3KVA generator with a fuel usage of 1.1 lt/hour, providing 10 hours continuous service. In case needed, any other generator with higher power can be used.



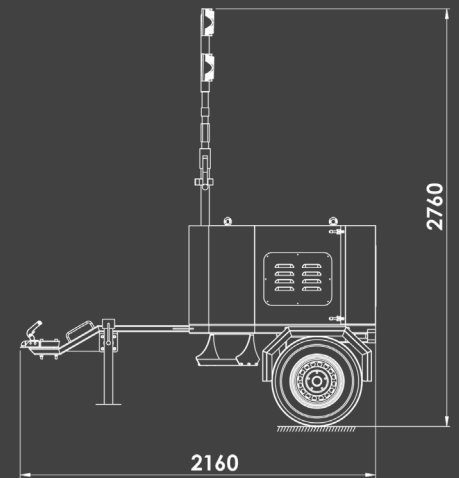
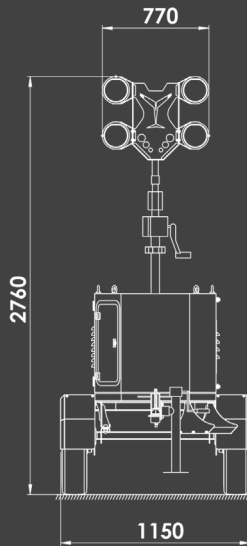
12 pcs in one 13m truck



Technical Specifications

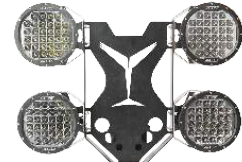
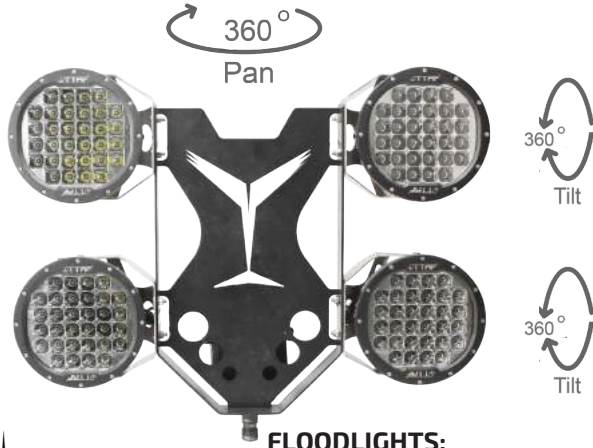
Product Code
CAYLAK-496

Light Power Consumption	384 W
Luminous Flux
IP Class	IP65
Operating Voltage	127-250 V. 50/60Hz
Operating Temperature	-25°C ~ +55°C
Pan Rotation Angle	360°
Tilt Rotation Angle	180°
Canopy Material	Galvanized Steel
Led Type	Power Led
Dimensions	2160x2760x1150
Weight	
Max. Height	4.85 mt





384W



Powered by
CREE

FLOODLIGHTS:

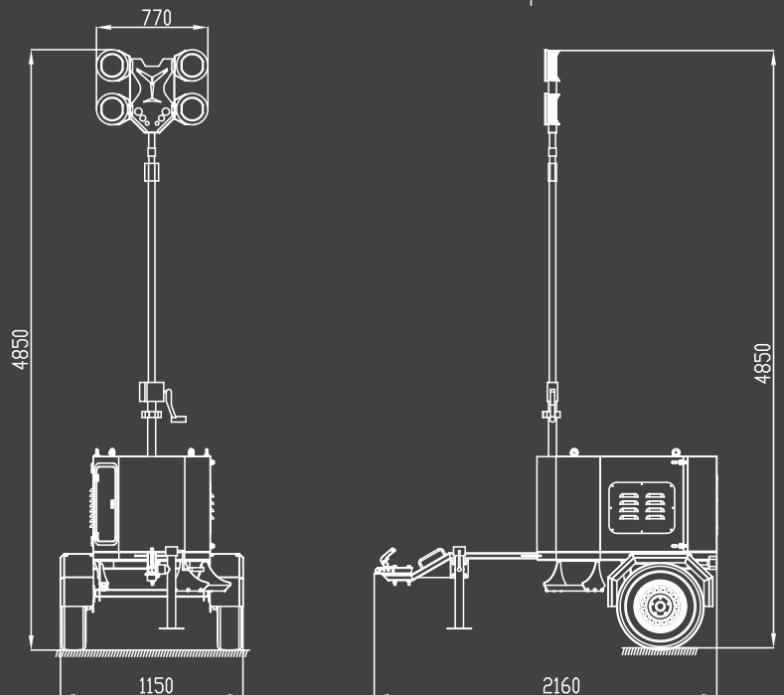
High brightness 215mm 96 W round LED lights design by TTAF is with durability and long-range performance. Offering combination of flood and spot beam.

- *Tilt angle can be set 360° separately per lamp.
- *High pressure cast aluminum painted body.
- *IP68, IP69K rated protect level.
- *Over, under and reverse voltage protection.
- *Stainless steel brackets.
- *Scratch resistant lens, 100% clear.
- *Dual illumination - background light.
- *Anti-Rust & Anti-Corrosion, Vibration, Anti-interference.
- *Life time 50.000 h.

0 to
4.85 meter

Technical Specifications Of Generator

AC Rated Power	2,5 kW
Maximum Power	2,8 kW
AC Rated Current	10 A
Voltage	230V
Frequency	50 Hz
Phase N.	1
Power Factor	0,80
Fuel Consumption	1, 1 lt/h
Noise Level	76 dB
Fuel Tank Capacity	15 lt
Start Type	Electric
Fuel Type	Gasoline



AKBABA®



Mobile Pneumatic Light Tower

300W

AKBABA is a pneumatic mobile light tower which is very ideal and reliable for large field lighting applications such as disaster area lighting and rescue operations.

Designed by TTAF engineers, **AKBABA**-2150 has 2 x 150W floodlights bringing high lighting efficiency. It is perfectly resistant to harsh environmental conditions, vibrations and sudden thermal changes and safely illuminates the area.

AKBABA can be controlled either its control panel or with remote control. With the pneumatic piston, lighting system can reach up to did attach to 6m enabling larger areas lighting successfully.

Lighting system attached to the engine on top of pneumatic piston can rotate 340° vertically and 360° horizontally at the requested height and target areas can be enlightened at all directions whenever requested.

Axle, trailer and pulling hook are compliant with DOT standards. Impact proof, compactly designed metal cabinet and the carriage cell on top of the cabinet can meet all your requirements.

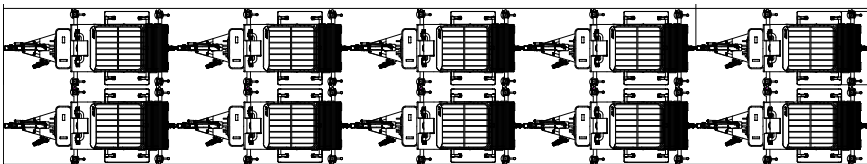
As an option **AKBABA** has an energy efficient 3KVA generator with fuel usage of 1.1 lt/hour, providing 10hours continuous service. In case needed, any other generator with higher power can be used.

4 adjustable stabilizers of **AKBABA** secures fast and reliable installation at any type of surface and against strong winds.



Powered by
CITILED.
The Light Engine
INVENTRONICS

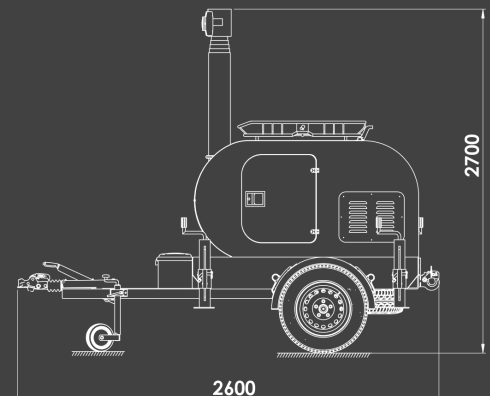
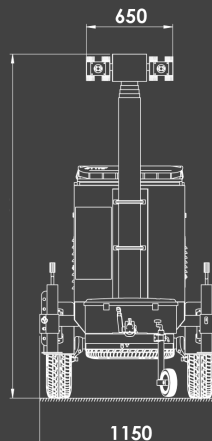
10 pcs in one 13m truck



Technical Specifications

Product Code
AKBABA-2150

Light Power Consumption	300W
Power Consumption Of System	850W
Luminous Flux
IP Class	IP65
Operating Voltage	127-250 V. 50/60Hz
Operating Temperature	-25°C ~ +55°C
Pan Rotation Angle	360°
Tilt Rotation Angle	340°
Canopy Material	Galvanized Steel
Led Type	COB
Dimensions	2600x2700x1150mm
Weigh	
Max. Height	6m



www.ttaf.com.tr
www.ttafaydinlatma.com

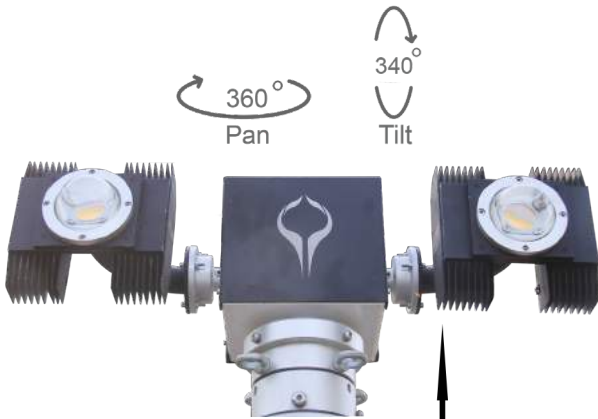
info@ttaf.com.tr



[ttafelectronic](https://www.youtube.com/ttafelectronic)



300W



2 PIECES 150 WATT CUSTOM DESIGN FLOODLIGHTS:

New technology heatsink of floodlights less than half the weight (0,7kg) as compared to conventional cast aluminum and extruded types. Thermal resistance 0.554 [°C/W] with ultra small dimensions.

- * COB LED light sources provide min. 50.000h life time.
- * High borosilicate glass lens.

Range from 0 to 6m



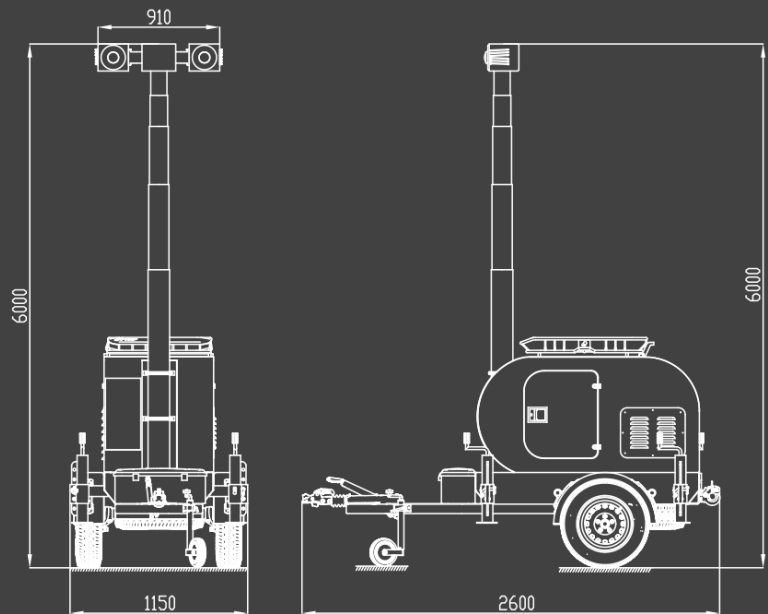
Controlled either its control panel or with remote control

It has 4 adjustable stabilizers in order to provide fast and reliable installation even on downgraded ground.



Technical Specifications Of Generator

AC Rated Power	2,5 kW
Maximum Power	2,8 kW
AC Rated Current	10 A
Voltage	230 V
Frequency	50 Hz (± 2 Hz)
Phase N.	1
Power Factor	0,80
Fuel Consumption	1, 1 lt/h
Noise Level	76 dB
Fuel Tank Capacity	15 lt
Start Type	Electric & Manuel
Fuel Type	Gasoline



AKBABA®



Mobile Pneumatic Light Tower

640W

AKBABA is a pneumatic mobile light tower which is very ideal and reliable for large field lighting applications such as disaster area lighting and rescue operations.

Designed by TTAf engineers, **AKBABA-2320** has 2 x 320W floodlights bringing very high lighting efficiency. It is perfectly resistant to harsh environmental conditions, vibrations and sudden thermal changes and safely illuminates the area.

AKBABA can be controlled either its control panel or with remote control. With the pneumatic piston, lighting system can reach up to did attach to 6m enabling larger areas lighting successfully.

Lighting system attached to the engine on top of pneumatic piston can rotate 340° vertically and 360° horizontally at the requested height and target areas can be enlightened at all directions whenever requested.

Axle, trailer and pulling hook are compliant with DOT standards. Impact proof, compactly designed metal cabinet and the carriage cell on top of the cabinet can meet all your requirements.

As an option **AKBABA** has an energy efficient 3KVA generator with fuel usage of 1.1 lt/hour, providing 10hours continuous service. In case needed, any other generator with higher power can be used.

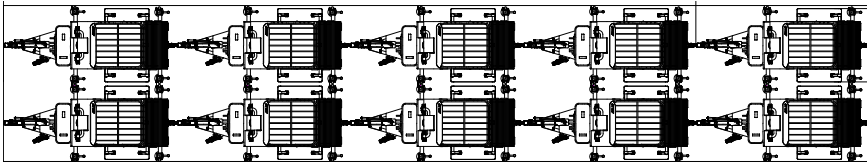
4 adjustable stabilizers of **AKBABA** secures fast and reliable installation at any type of surface and against strong winds.



Powered by



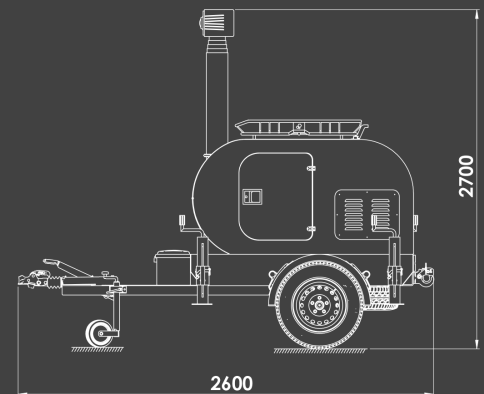
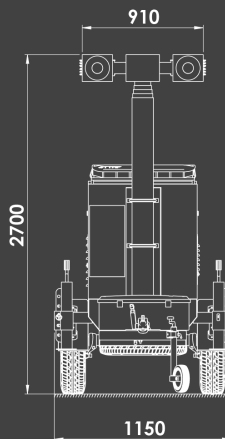
10 pcs in one 13m truck



Technical Specifications

Product Code
AKBABA-2320

Light Power Consumption	640 W
Power Consumption Of System	1190 W
Luminous Flux
IP Class	IP65
Operating Voltage	127-250 V. 50/60Hz
Operating Temperature	-25°C ~ +55°C
Pan Rotation Angle	360°
Tilt Rotation Angle	340°
Canopy Material	Galvanized Steel
Led Type	COB
Dimensions	2600x2700x1150
Weight	
Max. Height	6 mt



www.ttaf.com.tr
www.ttafaydinlatma.com

info@ttaf.com.tr



ttafelectronic



640W



2 PIECES 320 WATT CUSTOM DESIGN FLOODLIGHTS:

New technology heatsink of floodlights less than half the weight (3,1kg) as compared to conventional cast aluminum and extruded types. Thermal resistance 0.0207 [°C/W] with small dimensions.

- * COB LED light sources provide min. 50.000h life time.
- * High borosilicate glass lens.

Range from 0 to 6m



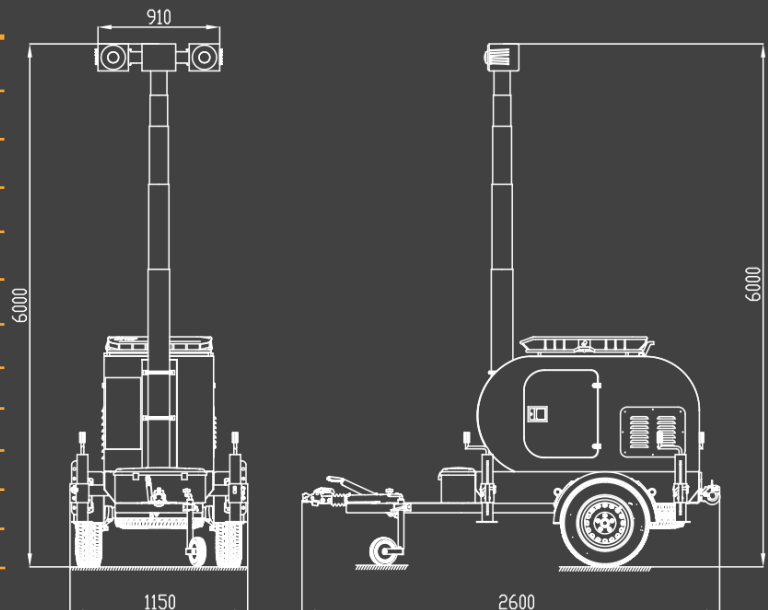
Controlled either its control panel or with remote control

It has 4 adjustable stabilizers in order to provide fast and reliable installation even on downgraded ground.



Technical Specifications Of Generator

AC Rated Power	2,5 kW
Maximum Power	2,8 kW
AC Rated Current	10 A
Voltage	230 V
Frequency	50 Hz
Phase N.	1
Power Factor	0,80
Fuel Consumption	1, 1 lt/h.
Noise Level	76 dB
Fuel Tank Capacity	15 lt
Start Type	Electric & Manuel
Fuel Type	Gasoline



192W



KARADUL is a vehicle roof mounted telescopic mobile light tower which is very ideal and reliable for large field lighting applications such as search and rescue lighting and disaster zone lighting.

Designed by TTAf engineers, Karadul has 2 projectors of each 96W, has very high lighting efficiency. It is perfectly resistant to harsh environment conditions and sudden thermal changes and it provides continuous light smoothly. Lighting system can raise up to 270cm within 30 seconds once it is installed on a vehicle.

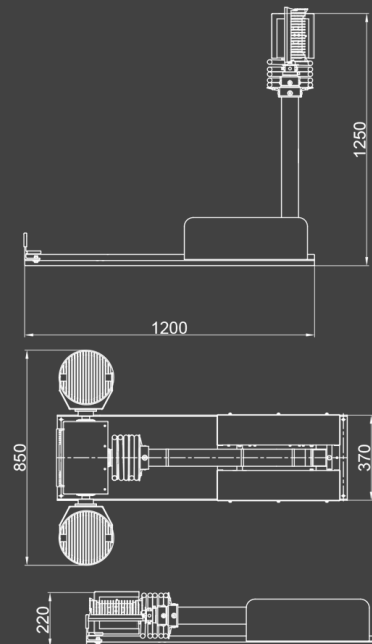
Lighting tower can rotate 190° right or left and projectors on the lighting tower can move 165° up or down either with wired control or remote control. It provides perfect lighting at all directions.

*The mast designed to sustain the intended tip load with at least 125 percent safety factor.

- resisting force 9 wind when it is folded closed.
- capable of being raised within 2 minutes.
- containing appropriate warning labels on the hazards of electrocution
- including fuse to prevent operations that could cause damage to the power supply conductors.
- has a special air pump that avoids any need for any other air system for rising or descending the mast.
- foldable with folded height of 24.3cm.
- *Special control on the rising and descent of the mast separately.
- *Unfolded maximum height of 270cm.
- *A secondary means of control shall be provided to allow for emergency lowering of the mast.
- *12 or 24VDC is enough to operate.
- *Both wired control and wireless control provided.
- *Working temperature from -30°C to 55°C.



Technical Specifications	Product Code KARADUL-2700
Light Power Consumption	192 W
Power Consumption Of SystemW
Luminous Flux lm
IP Class	IP65
Operating Voltage	12-24 VDC
Operating Temperature	-30°C ~ +55°C
Pan Rotation Degree	380°
Tilt Rotation Degree	330°
Body Material	Galvanized Steel
Led Type	Power Led
Dimensions	1250x1200x850
Weight	
Max. Height	2.7 mt



192W



KARADUL is a vehicle roof mounted telescopic mobile light tower which is very ideal and reliable for large field lighting applications such as search and rescue lighting and disaster zone lighting.

Designed by TTAF engineers, Karadul has 2 projectors of each 96W, has very high lighting efficiency. It is perfectly resistant to harsh environment conditions and sudden thermal changes and it provides continuous light smoothly. Lighting system can raise up to 270cm within 30 seconds once it is installed on a vehicle.

Lighting tower can rotate 190° right or left and projectors on the lighting tower can move 165° up or down either with wired control or remote control. It provides perfect lighting at all directions.

*The mast

- designed to sustain the intended tip load with at least 125 percent safety factor.
- resisting force 9 wind when it is folded closed.
- capable of being raised within 2 minutes.
- containing appropriate warning labels on the hazards of electrocution
- including fuse to prevent operations that could cause damage to the power supply conductors.
- has a special air pump that avoids any need for any other air system for rising or descending the mast.
- foldable with folded height of 24.3cm.

*Special control on the rising and descent of the mast separately.

*Unfolded maximum height of 200cm.

*A secondary means of control shall be provided to allow for emergency lowering of the mast.

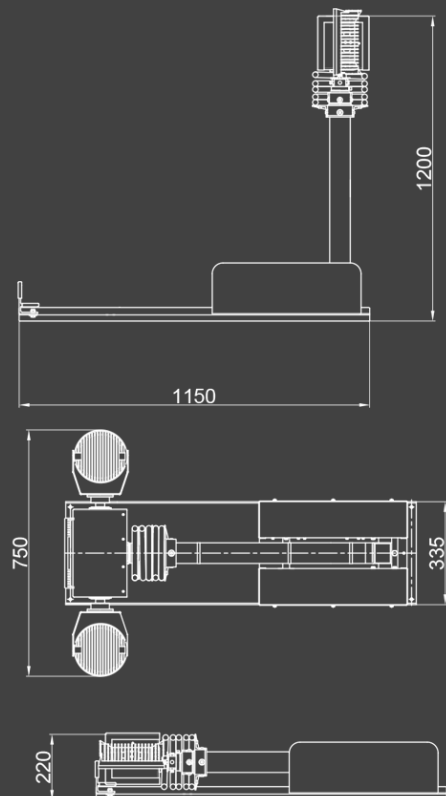
*12 or 24VDC is enough to operate.

*Both wired control and wireless control provided.

*Working temperature from -30°C to 55°C.



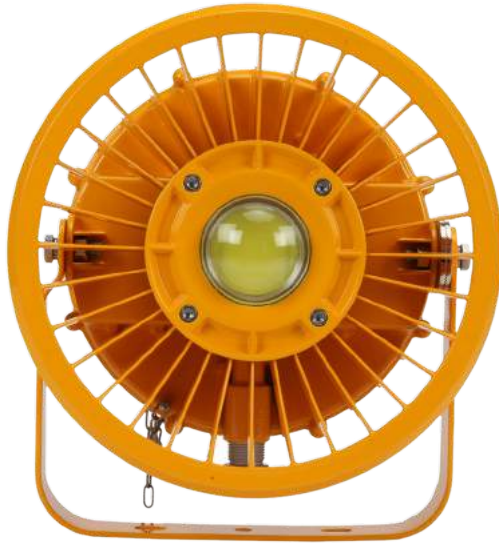
Technical Specifications	Product Code KARADUL-2000
Light Power Consumption	192 W
Power Consumption Of SystemW
Luminous Flux lm
IP Class	IP65
Operating Voltage	12-24 VDC
Operating Temperature	-30°C ~ +55°C
Pan Rotation Degree	380°
Tilt Rotation Degree	330°
Body Material	Galvanized Steel
Led Type	Power Led
Dimensions	1200x1150x750
Weight	
Max. Height	2 mt



EXL-01

Ex-Proof Floodlight

50W ~ 120W



Applications

- * Ideal to be used in the oilfield, chemical industry, steel industry, power, port, Petroleum etc.
- * Harsh environment, moist area.
- * Gas explosive environment : Group IIA, IIB, IIC
- * Zone 1, Zone2; Zone 21, Zone 22
- * Temperature class: T1 to T6

Product Features

- * Dual cable inlet system - Units can be mounted in parallel or series config.
- * Industry recognised components - Cree LED light engines combined with a Mean Well power supply unit. (PSU/driver)
- * Isolated LED chip-and-lens design improves thermal conductivity and ensures a market-leading product lifespan.
- * Dual purpose. This unit can function as either a high bay or floodlight dependent on installation and lens specification.
- * In-built heat sink balances unit efficiency with extreme structural integrity.

Technical Specifications	Product Code			
	EXL-01 050 V	EXL-01 075 V	EXL-01 100 V	EXL-01 120 V
Lighting Power (W)	50	75	100	120
Output Luminous Flux (lm)	4.925	6.015	9.195	11.440
Decorative Lighting Power (W)			
Operating Voltage (V.)	90 ~ 264 V 50-60 Hz			
Input Surge Protection (kV)			
Power Factor (Cosφ>)	Min. 0,95			
Electrical Insulation Class			
Operating Temperature	-40°C ~ +50°C			
Light Source	COB LED 28mmx28mm			
Color Temperature (K)	2200K ~ 6500			
CRI	Ra> 70			
Optical Compartment Tightness Level	IP66			
Control Gear Tightness Level	IP67			
Impact Resistance	IK08			
Console Mounting Diameter (mm)	40 ~ 60			
Body Material	Engineering Thermoplastic			
Optical Lens	Borosilicate Glass			
Decorative Light Lid Equipment	PC			
Heatsink Material	Anodized Aluminum			
Body Color	RAL 7042 or any Color Upon Request			
Packing Dimensions (mm)	730 x 305 x 110			
Product Weight (Kg)	7			

EXL-02

Ex-Proof General Light

30W ~ 75W



Applications

- * Ideal to be used in the oilfield, chemical industry, steel industry, power, port, Petroleum etc.
- * Harsh environment, moist area. Gas explosive environment: Group IIA; IIB.
- * Zone 1, Zone2; Zone 21, Zone 22.
- * Temperature class: T1 to T6.

Product Features

- * Dual cable inlet system - Units can be mounted in parallel or series config.
- * Industry recognised components - Cree LED light engines combined with a Mean Well power supply unit. (PSU/driver)
- * Isolated LED chip-and-lens design improves thermal conductivity and ensures a market-leading product lifespan.
- * Application flexibility - Designed to be multi-purpose, fit-and-forget technology.
- * In-built heat sink balances unit efficiency with extreme structural integrity.

Technical Specifications	Product Code			
	EXL-02 030 V	EXL-02 040 V	EXL-02 060 V	EXL-02 075 V
Lighting Power(W)	30	40	60	75
Output Luminous Flux (lm)	2660	3820	5260	6010
Decorative Lighting Power (W)			
Operating Voltage (V.)	90 ~ 264 V 50-60 Hz			
Input Surge Protection (kV)			
Power Factor (Cosφ>)	Min. 0,98			
Electrical Insulation Class			
Operating Temperature	-40°C ~ +50°C			
Light Source	COB LED 28mmx28mm			
Color Temperature (K)	5000			
CRI	Ra> 80			
Optical Compartment Tightness Level	IP66			
Control Gear Tightness Level	IP67			
Impact Resistance	IK08			
Console Mounting Diameter (mm)	40 ~ 60			
Body Material	Engineering Thermoplastic			
Optical Lens	Borosilicate Glass			
Decorative Light Lid Equipment	PC			
Heatsink Material	Anodized Aluminum			
Body Color	RAL 7042 or any Color Upon Request			
Packing Dimensions (mm)	370 x 326 x 88			
Product Weight (Kg)	6.5			

EXL-03

Ex-Proof Light

60W



Applications

- * Approved for safe use in the explosive environment under the coal mine where the methane and the explosive dust exist.
- * It is the idea lighting solution for the underground working area tunnel or construction tunnel.

Product Features

- * Dual cable inlet system - Units can be mounted in parallel or series config.
- * Industry recognised components - Cree LED light engines combined with a Mean Well power supply unit. (PSU/driver)
- * Isolated LED chip-and-lens design improves thermal conductivity and ensures a market-leading product lifespan.
- * Application flexibility - Designed to be multi-purpose, fit-and-forget technology.
- * In-built heat sink balances unit efficiency with extreme structural integrity.

Technical Specifications

Product Code EXL-03 060 U

Lighting Power(W)	60
Output Luminous Flux (lm)	5230
Decorative Lighting Power (W)
Operating Voltage (V.)	90 ~ 264 V 50-60 Hz
Input Surge Protection (kV)
Power Factor (Cosφ>)	Min. 0,95
Electrical Insulation Class
Operating Temperature	-40°C ~ +50°C
Light Source	COB LED 28mmx28mm
Color Temperature (K)	5000
CRI	Ra> 80
Optical Compartment Tightness Level	IP66
Control Gear Tightness Level	IP67
Impact Resistance	IK08
Console Mounting Diameter (mm)	40 ~ 60
Body Material	Engineering Thermoplastic
Optical Lens	Borosilicate Glass
Decorative Light Lid Equipment	PC
Heatsink Material	Anodized Aluminum
Body Color	RAL 7042 or any Color Upon Request
Packing Dimensions (mm)	240 x 234
Product Weight (Kg)	5

EXL-04

Ex-Proof Light

60W



Applications

* It provides operators with a powerful and energy efficient spotlight for the flammable area such as the coal mine, indoor and outdoor work task, the monitoring spot and other devices.

Product Features

- * Dual cable inlet system - Units can be mounted in parallel or series config.
- * Industry recognised components - Cree LED light engines combined with a Mean Well power supply unit. (PSU/driver)
- * Isolated LED chip-and-lens design improves thermal conductivity and ensures a market-leading product lifespan.
- * Application flexibility - Designed to be multi-purpose, fit-and-forget technology.
- * In-built heat sink balances unit efficiency with extreme structural integrity.



Technical Specifications	Product Code EXL-04 060 U
Lighting Power(W)	60
Output Luminous Flux (lm)	5500
Decorative Lighting Power (W)
Operating Voltage (V.)	90 ~ 264 V 50-60 Hz
Input Surge Protection (kV)
Power Factor (Cosφ>)	Min. 0,95
Electrical Insulation Class
Operating Temperature	-40°C ~ +50°C
Light Source	COB LED 28mmx28mm
Color Temperature (K)	5000
CRI	Ra> 80
Optical Compartment Tightness Level	IP66
Control Gear Tightness Level	IP67
Impact Resistance	IK08
Console Mounting Diameter (mm)	40 ~ 60
Body Material	Engineering Thermoplastic
Optical Lens	Borosilicate Glass
Decorative Light Lid Equipment	PC
Heatsink Material	Anodized Aluminum
Body Color	RAL 7042 or any Color Upon Request
Packing Dimensions (mm)	180 x 243
Product Weight (Kg)	3.8

14W



Consisting of 2 floodlights with low energy consumption and 7 watts each. KUBAT fixtures provide decorative outdoor lighting.

Fixture Lighting different angles with the same fixture by 180 ° rotatable projectors independently.



Each floodlight with blue, warm white, cold white, red, amber, green light color options providing a multi-color lighting advantage. 2 different colors can be visible at the same luminaire!



Compliant with harsh environment conditions with aluminum electrostatic body and IP67 floodlights.



Mountable on either wall or pole.

Technical Specifications	Product Code
	KUBAT-214
Power Consumption Per Lamp	7W
Color Temperature	Blue, Green, Red, Amber, Warm White, Cool White
IP Class	IP67
Operating Voltage	100-240 V 50/60Hz
Pole Material	Hi-Grade Plastic
Lens Angle For Light Diffusion	Horizontal 50°, Vertical 35°
Housing Material	Aluminum Electrostatic Finish
Operating Temperature	-30°C ~ +50°C
Weight	1.870 gr
Luminaire Dimensions	45.5x14.5x14.7 cm

21W



Consisting of 3 floodlights with low energy consumption and 7 watts each. KUBAT fixtures provide decorative outdoor lighting.

Fixture Lighting different angles with the same fixture by 180 ° rotatable projectors independently.



Compliant with harsh environment conditions with aluminum electrostatic body and IP67 floodlights.



Each floodlight with blue, warm white, cold white, red, amber, green light color options providing a multi-color lighting advantage. 3 different colors can be visible at the same luminaire!

Mountable on either wall or pole.

Technical Specifications	Product Code
	KUBAT-321
Power Consumption Per Lamp	7W
Color Temperature	Blue, Green, Red, Amber, Warm White, Cool White
IP Class	IP67
Operating Voltage	100-240 V 50/60Hz
Pole Material	Hi-Grade Plastic
Lens Angle For Light Diffusion	Horizontal 50°, Vertical 35°
Housing Material	Aluminum Electrostatic Finish
Operating Temperature	-30°C ~ +50°C
Weight	2.782 gr
Luminaire Dimensions	64.3x14.5x14.7 cm

BULB

Decorative Led Bulb

7W

CE EN 62560

IP65

IP65 compliant, impact-proof led lamps made from hi-grade plastic, ensure usage safety at both indoor and outdoor areas against harsh environment conditions.



Hi-Grade Plastic Cover

Silicon Seal

E27 Holder



With Amber, Blue, Green, Yellow, Orange, Pink, Purple, Turquoise, Cool White, Warm White and Natural White color options, decorative LED lamps offers a colorful world.



Technical Specifications	Product Code		
	YLL-01 007 N	YLL-01 007 D	YLL-01 007 F
Operating Voltage	220 ~ 240VAC	12 VDC	24 VDC
Power Consumption	7W		
IP Class	IP65		
Housing Material	Hi-Grade Plastic		
Lamp Holder	E27		
Color Temperature	(3000 ~ 6000 K), Red, Green, Amber, Blue, Purple, Yellow, Orange, Pink, Turquoise		



www.ttaf.com.tr
www.ttafaydinlatma.com

info@ttaf.com.tr



Kavakli Mahallesi, Istanbul Caddesi, No:21 Beylikduzu - Istanbul / TURKEY
Tel ; +90 212 855 82 20
Fax ; +90 212 855 82 21