



## SolarLake-PM

### 12000 / 15000 / 17000 / 20000 / 25000 / 30000TL-PM

#### SIMPLE. FLEXIBLE.

- Simplified system design due to dual MPPT and wide input voltage range up to 1,000 V
- Free site selection due to IP65
- Parameter and country code setting during initial start-up

#### OPEN. CONVERSATIONAL.

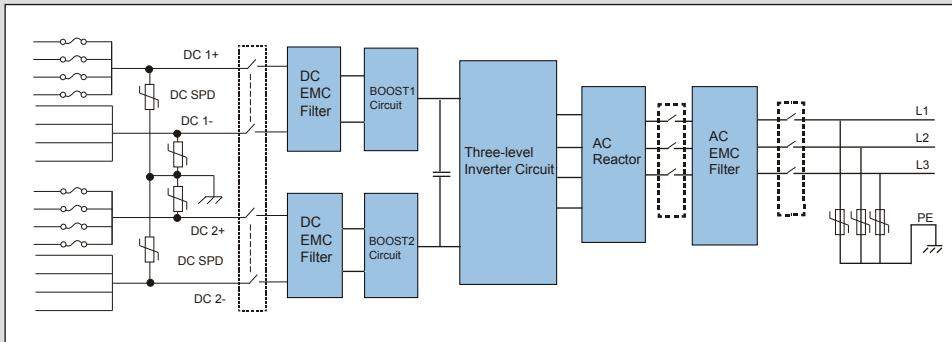
- Interface selection – Ethernet and RS485 for more flexible configuration and system monitoring
- Multi-lingual 3.5" TFT LCD display
- Easy key pad operation
- Digital inputs for the economic connection of a ripple control receiver
- Configurable multi-function relay output

#### SECURE. EFFICIENT.

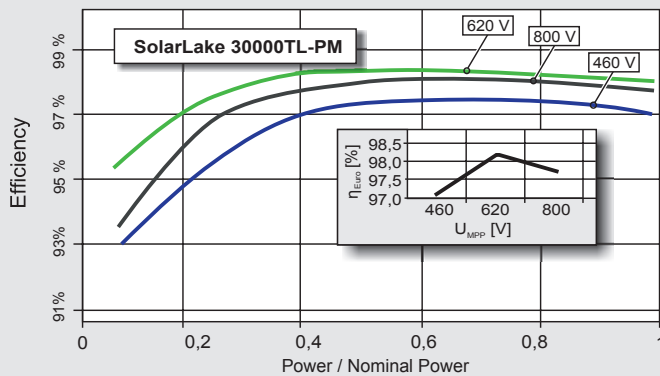
- Highest earnings through max. efficiency up to 98.2%
- Reduction of balance of system cost (BOS) due to integrated string combiner functionality

#### RELIABLE . ECONOMICAL.

- Sturdy design due to High Accelerated Life Testing(HALT) and Rigorous Multiple Environmental Over Stress Testing(MEOST)
- Electrolyte-free design to guard against dried cap issue and help to improve long term reliability
- Designed and qualified for applications in tropical environments through salt fog testing and use of conformal coating
- Defeating shade effect by Global Peak Tracker



	SolarLake 12000TL-PM	SolarLake 15000TL-PM	SolarLake 17000TL-PM	SolarLake 20000TL-PM
<b>Input (DC)</b>				
Max. DC power (@ $\cos\phi=1$ ) total / per MPP input	12500 W / 6800 W	15800 W / 8400 W	17900 W / 9450 W	21000 W / 11000 W
Max. input voltage	1000 V			
MPP voltage range / rated input voltage	400 V - 850 V / 620 V		440 V - 850 V / 620 V	
Min. input voltage / initial input voltage	250 V / 300 V			
Max. input current input A / input B	21 A / 21 A		24 A / 24 A	
Max. input current per string input A / input B	11.5 A / 11.5 A			
Number of independent MPP inputs / strings per MPP input	2 / 3			
<b>Output (AC)</b>				
Rated power (@ 230 V / 50 Hz)	12000 W	15000 W	17000 W	20000 W
Max. apparent AC power	12000 VA	15000 VA	17000 VA	20000 VA
Nominal AC voltage / range	3 / N / PE, 230 V, 400 V / 180 V - 277 V			
AC frequency	50 Hz / 60 Hz			
Rated grid voltage / rated grid frequency	230 V / 50 Hz			
Max. output current per phase	18 A	22 A	25 A	29 A
Power factor at rated power	1			
Displacement power factor, adjustable	0.8 leading - 0.8 lagging			
Feed-in phases / connection phases	3 / 3			
THDi (at rated power)	< 3%			
<b>Efficiency</b>				
Max. Efficiency / European weighted efficiency	98.2 % / 97.5 %			
<b>Protective devices</b>				
DC disconnect device	●			
Ground fault monitoring / grid monitoring	● / ●			
DC reverse polarity protection / AC short-circuit current capability	● / ●			
Galvanic isolation	-			
All-pole-sensitive residual-current monitoring	●			
<b>General data</b>				
Dimensions (W / H / D)	530 / 760 / 210 mm			
Weight	49 kg			
Operating temperature range	-25 °C ... +60 °C			
Noise emission (typical)	< 47 dB			
Self-consumption (night)	< 5 W			
Topology	Transformerless			
Cooling concept	Fan			
Degree of protection (according to IEC 60529)	IP65			
Maximum humidity (non-condensing)	95 %			
<b>Features</b>				
DC connection	MC4, H4, SUNCLIX			
AC connection	Screw terminal			
Display	3.5" TFT LCD			
Interface: RS485 / Wi-Fi / Ethernet	○ / ○ / ●			
Guarantee: 5 / 10 / 15 / 20 years	● / ○ / ○ / ○			
Certificates and approvals (additional on request)	CE, BDEW, VDE 0126-1-1, G59/2, EN 61000-3-11/12, EN 61000-6-1/2/3/4, IEC 62109-1/2, VDE AR-N4105, CEI 0-21, CEI 0-16, AS 4777.2/3, AS 3100:2009, C10/11, EN 50438, UTE C15-712-1, IEC 62116, IEC 61727			



	SolarLake 25000TL-PM	SolarLake 30000TL-PM
<b>Input (DC)</b>		
Max. DC power (@cosφ=1) total / per MPP input	26300 W / 13200 W	32000 W / 16100 W
Max. input voltage	1000 V	
MPP voltage range / rated input voltage	440 V - 800 V / 620 V	460 V - 800 V / 620 V
Min. input voltage / initial input voltage	250 V / 350 V	
Max. input current input A / input B	30 A / 30 A	35 A / 35 A
Max. input current per string input A / input B	11.5 A / 11.5 A	
Number of independent MPP inputs / strings per MPP input	2 / 3	
<b>Output (AC)</b>		
Rated power (@ 230 V / 50 Hz)	25000 W	30000 W
Max. apparent AC power	25000 VA	30000 VA
Nominal AC voltage / range	3 / N / PE, 230 V, 400 V / 180 V - 277 V	
AC frequency	50 Hz / 60 Hz	
Rated grid voltage / rated grid frequency	230 V / 50 Hz	
Max. output current per phase	36.5 A	43.5 A
Power factor at rated power	1	
Displacement power factor, adjustable	0.8 leading - 0.8 lagging	
Feed-in phases / connection phases	3 / 3	
THDi (at rated power)	< 3%	
<b>Efficiency</b>		
Max. Efficiency / European weighted efficiency	98.3 % / 97.8 %	98.4 % / 97.8 %
<b>Protective devices</b>		
DC disconnect device	•	
Ground fault monitoring / grid monitoring	• / •	
DC reverse polarity protection / AC short-circuit current capability	• / •	
Galvanic isolation	-	
All-pole-sensitive residual-current monitoring	•	
<b>General data</b>		
Dimensions (W / H / D)	600 / 880 / 249 mm	
Weight	69 kg	
Operating temperature range	-25 °C ... +60 °C	
Noise emission (typical)	< 57 dB	
Self-consumption (night)	< 5 W	
Topology	Transformerless	
Cooling concept	Fan	
Degree of protection (according to IEC 60529)	IP65	
Maximum humidity (non-condensing)	95 %	
<b>Features</b>		
DC connection	MC4, H4, SUNCLIX	
AC connection	Screw terminal	
Display	3.5" TFT LCD	
Interface: RS485 / Wi-Fi / Ethernet	○ / ○ / •	
Guarantee: 5 / 10 / 15 / 20 years	• / ○ / ○ / ○	
Certificates and approvals (additional on request)	CE, BDEW, VDE 0126-1-1, G59/2, EN 61000-3-11/12, EN 61000-6-1/2/3/4, IEC 62109-1/2, VDE AR-N4105, CEI 0-21, CEI 0-16, AS 4777.2/3, AS 3100:2009, C10/11, EN 50438, UTE C15-712-1, IEC 62116, IEC 61727	



**Samil Power Co., Ltd. (China)**

Sales and Service Center, Wuxi  
No.52, Huigu Innovation Park, Huishan District, Wuxi,  
Jiangsu Province, 214174 P.R.C  
T: +86 (0) 510 8359 3132  
F: +86 (0) 510 8181 9678  
E: [info@samilpower.com](mailto:info@samilpower.com)

**Samil Power Co., Ltd. (China)**

Factory, Suqian  
No.6 Xuefengshan Road,  
Suyu District, Suqian,  
Jiangsu Province, 214174 P.R.C

**Samil Power GmbH (Germany)**

Planckstraße 13  
D-22765 Hamburg  
T: +49 162 3333 055  
E: [germany@samilpower.com](mailto:germany@samilpower.com)

**Samil Power UK Ltd. (UK)**

Unit 19 Horseshoe Park Horseshoe Lane  
Pangbourne Reading RG8 7JW  
T: +44 (0) 118 984 4481  
F: +44 (0) 118 984 4745  
E: [uk@samilpower.com](mailto:uk@samilpower.com)

**Support Center Australia**

E: [service-australia@samilpower.com](mailto:service-australia@samilpower.com)

**Support Center Deutschland**

E: [service-germany@samilpower.com](mailto:service-germany@samilpower.com)

**Centro Assistenza Italia**

E: [service-italy@samilpower.com](mailto:service-italy@samilpower.com)

**Samil Power Ausco Pty Ltd. (Australia)**

Sydney Business and Technology Centre  
Unit 5/2 Railway Parade  
Lidcombe NSW 2141  
T: +61 (0) 2 9643 7788  
E: [australia@samilpower.com](mailto:australia@samilpower.com)

**Samil Power US Ltd. (USA)**

3478 Buskirk Avenue, Suite 1000,  
Pleasant Hill, CA 94523  
T: +1 (925) 930 3924  
E: [usa@samilpower.com](mailto:usa@samilpower.com)

**Samil Power s.r.l. (Italia)**

Sede legale: C.so P.ta Vittoria 18  
20122 Milano  
T: +39 02 45 077 584  
F: +39 02 40 043 490  
E: [italy@samilpower.com](mailto:italy@samilpower.com)

**Samil Power France SARL (France)**

E: [france@samilpower.com](mailto:france@samilpower.com)

**Support Center Nederland**

E: [service-netherlands@samilpower.com](mailto:service-netherlands@samilpower.com)

**Support Center UK**

E: [service-uk@samilpower.com](mailto:service-uk@samilpower.com)

**Support Center USA**

E: [service-usa@samilpower.com](mailto:service-usa@samilpower.com)

