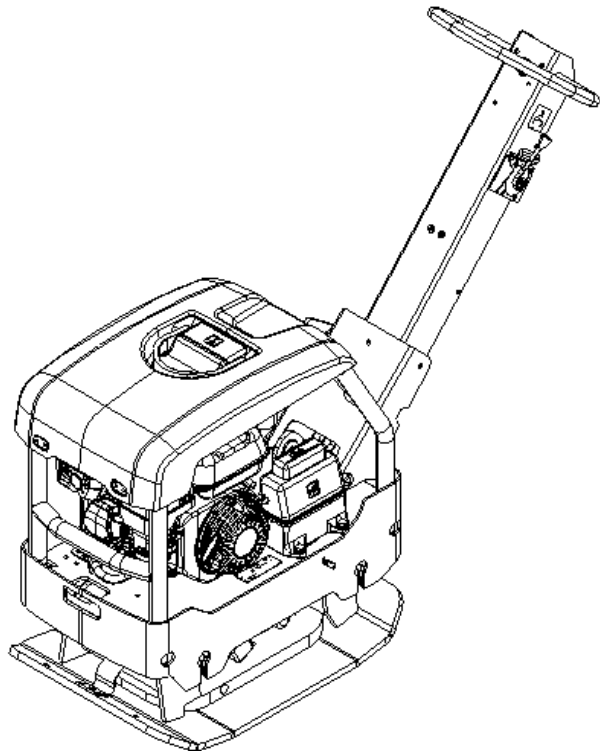


Spare parts list

Forward and reversible plate
MV 224, 244

	Valid to serial number
MV 224 Honda	BGF101223
MV 244 Hatz	BGF101223



General information

This spare parts list applies to the following:

Part number	Description
3382 0006 28	MV 224 Honda GX200 500 width
3382 0006 29	MV 244 Hatz 1B20 EI

Use only authorized parts. Any damage or malfunction caused by the use of unauthorized parts is not covered by Warranty or Product Liability. Any unauthorized use or copying of the contents or any part thereof is prohibited. This applies in particular to trademarks, model denominations, part numbers, and drawings.

Instructions for use

This spare parts list contains no safety regulations and is merely intended to assist in the ordering of spare parts.

For information about operating, servicing, or repairing, the relevant Safety and operating instructions must be consulted at all costs.

Please observe the safety instructions listed in the relevant Safety and operating instructions!

Contents

Mechanical

Frame and hoods	1
Engine plate	3
Ground plate and eccentric element installation	5
Eccentric element	7
Hydraulic system	10
Throttle control, Honda	13
Throttle control, Hatz, Non EPA version	15
Belt tightner	17
Centrifugal clutch, Honda	19
Centrifugal clutch, Hatz manual start	21
Battery installation	23
Handle assembly	25
Transport device	27
Decals, Hatz	29
Decals, Honda	31

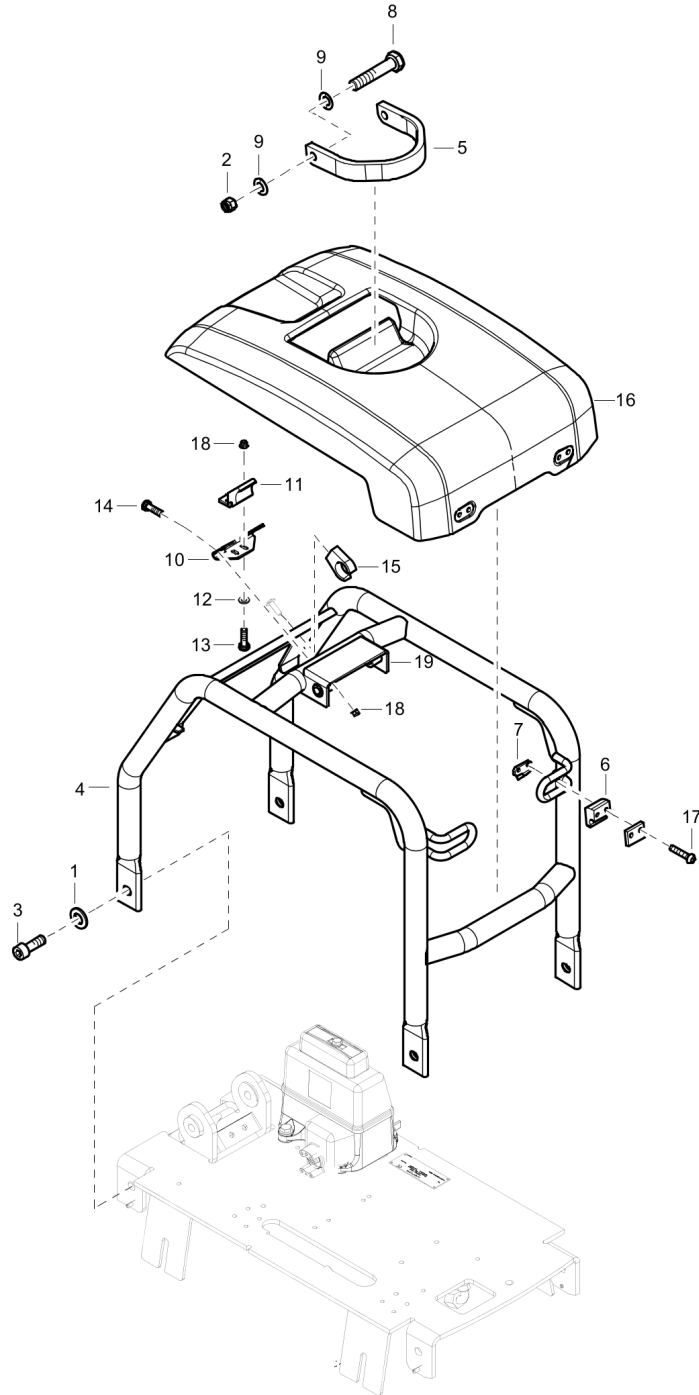
Engine

Engine, Hatz 1B20	33
Engine, Honda GX 200 UT SM-12 OH	37
Engine installation, Honda	40
Engine installation, Hatz	43

Service

One year service kit, Honda	45
One year service kit, Hatz	47
Eccentric element repair kit	49
Shock absorber repair kit	51
Forward and reverse piston repair kit	53
Block paving plate kit 510 mm (20.1 in.)	55
Transport device kit	57

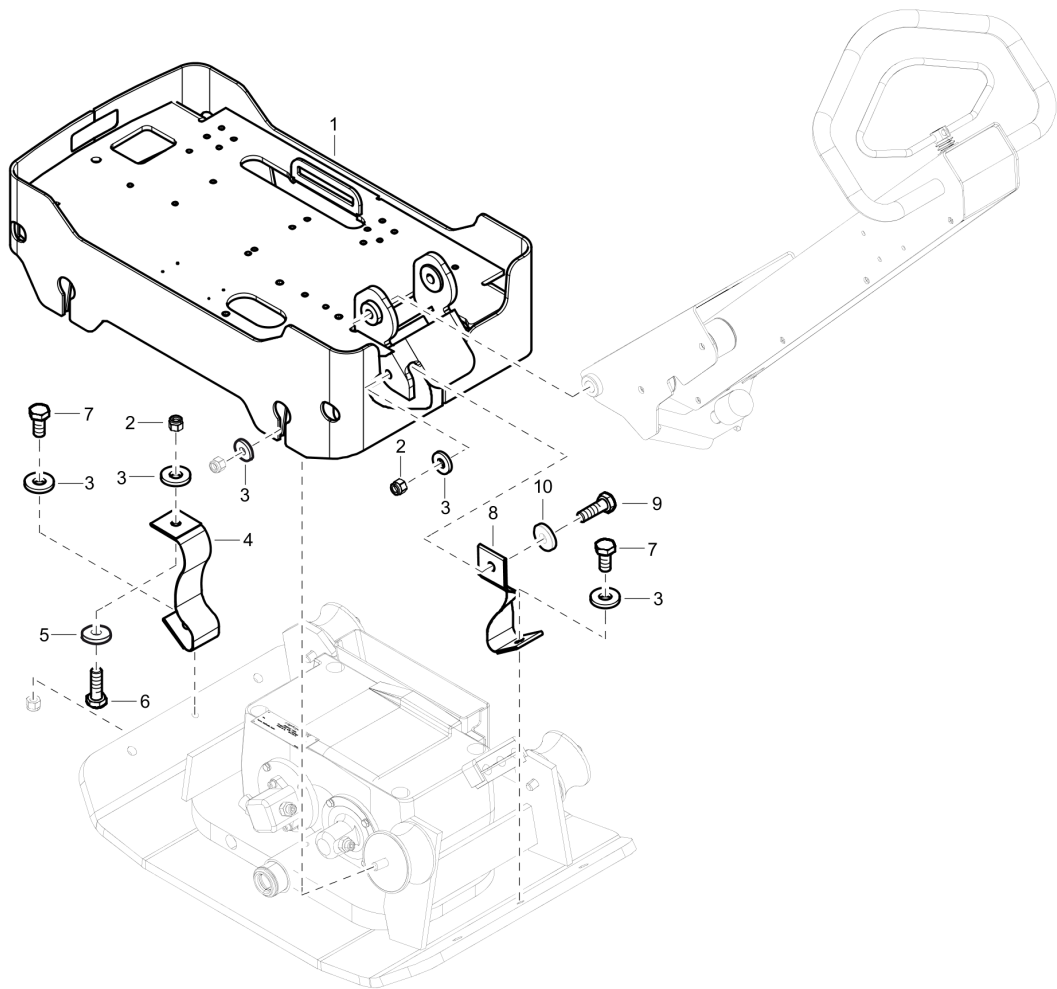
Mechanical Frame and hoods



Refer to the Parts Online web page for most up-to-date information. The printed information might be outdated.

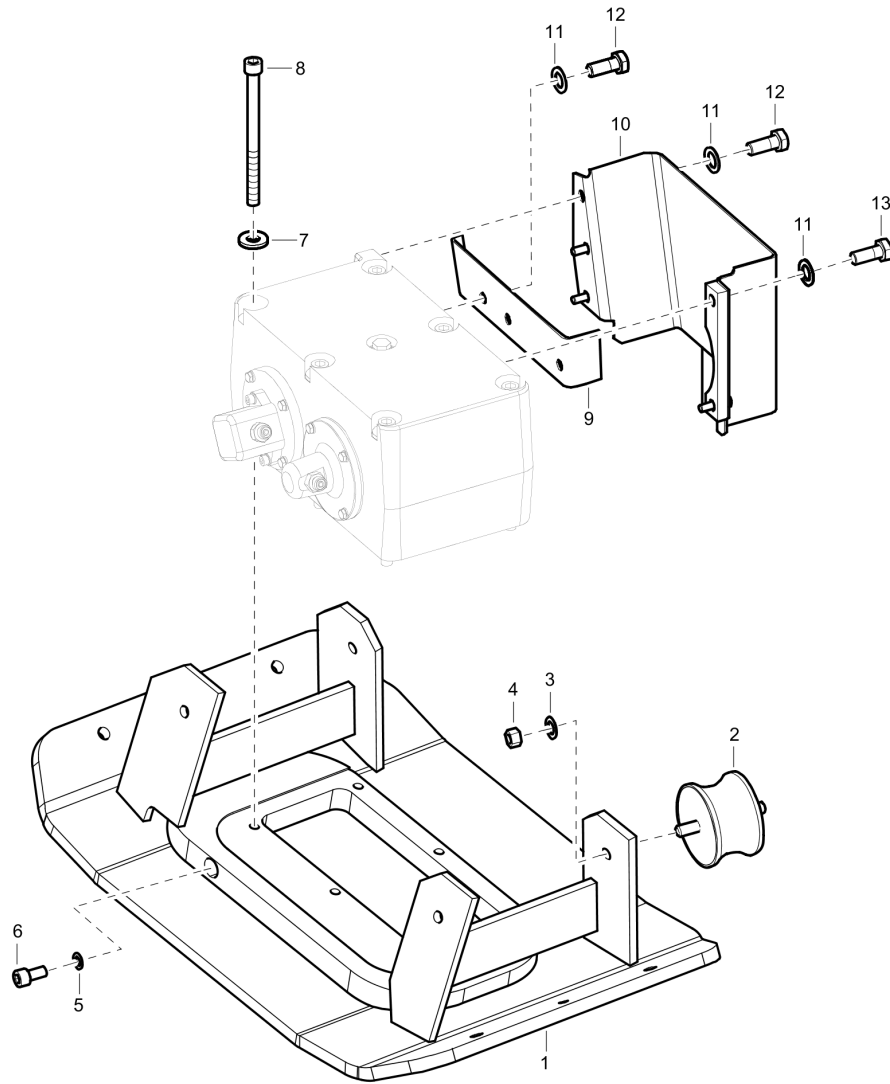
Item	Part No.	Name	Qty	L
1	0300013079	Washer, 10.5 x 22 x 4 mm, 0.41 x 0.87 x 0.16 in. 300 HV	4	
2	0291112822	Lock nut, M12	2	
3	0211140303	Flange screw M12 x 40 mm 8.8 A3K	4	
4	3382014327	Protective frame	1	
5	3382010860	Lifting lug	1	
6	4700387260	Clip	2	
7	4700387705	Stop	2	
8	0147140703	Screw DIN933	2	
9	0384300059	Washer, 28 x 14.2 x 1 mm, 1.10 x 0.57 x 0.04 in.	4	
10	4700387261	Bracket	1	
11	4700387259	Clip	1	
12	0301232100	Washer	2	
13	0147124703	Screw	2	
14	0215001102	Screw, M6 x 20 mm 8.8 A2K	4	
15	4700281116	Holder	2	
16	3382014813	Hood	1	
17	0215001107	Screw	4	
18	0291112816	Lock nut, M8	6	
19	3382014225	Bracket	1	

Mechanical Engine plate



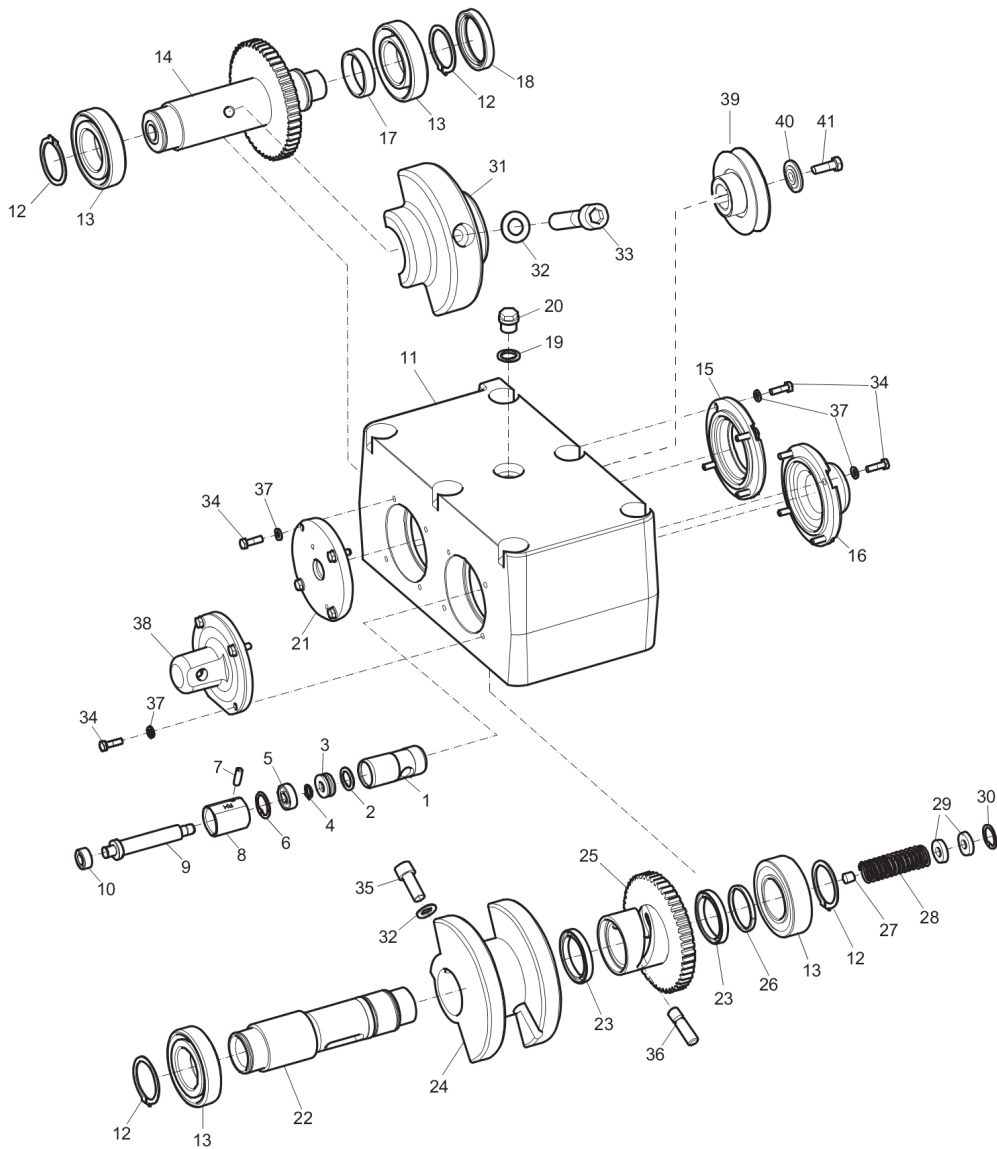
Item	Part No.	Name	Qty	L
1	3382014325	Engine plate	1	
2	0291112822	Lock nut, M12	2	
3	0301235800	Washer	10	
4	3382010059	Strap	1	
5	0303115900	Washer, 13 x 36 x 6 mm, 0.51 x 1.42 x 0.24 in. 300 HV	4	
6	0147140003	hexagon head screw	2	
7	0147140303	Hexagon bolt	2	
8	3382010021	Strap	1	
9	0147110961	Screw, M1 x 65 mm 8.8 A3K	1	
10	0301237800	Washer	1	

Mechanical Ground plate and eccentric element installation



Item	Part No.	Name	Qty	L
1	3382014148	Ground plate	1	
2	4700280750	Shock absorber	4	
3	0301235800	Washer	8	
4	0266211200	Nut DIN934	4	
5	4700747541	Copper washer, 16.7 x 24 x 1.5 mm, 0.66 x 0.94 x 0.06 in. TYPE A, M16	1	
6	0211136003	Screw	1	
7	0300027411	Washer	6	
8	0211110498	Screw, M12 x 160 mm 12.9GEOMET®	6	
9	4700280858	V-belt protection, inner	1	
10	4700280871	V-belt cover	1	
11	0301233500	Plain washer(A) 8.4 x 16 x 1.6	8	
12	0147132303	Screw	6	
13	0147132603	Hex head screw M8 x 30	2	

Mechanical Eccentric element



Refer to the Parts Online web page for most up-to-date information. The printed information might be outdated.

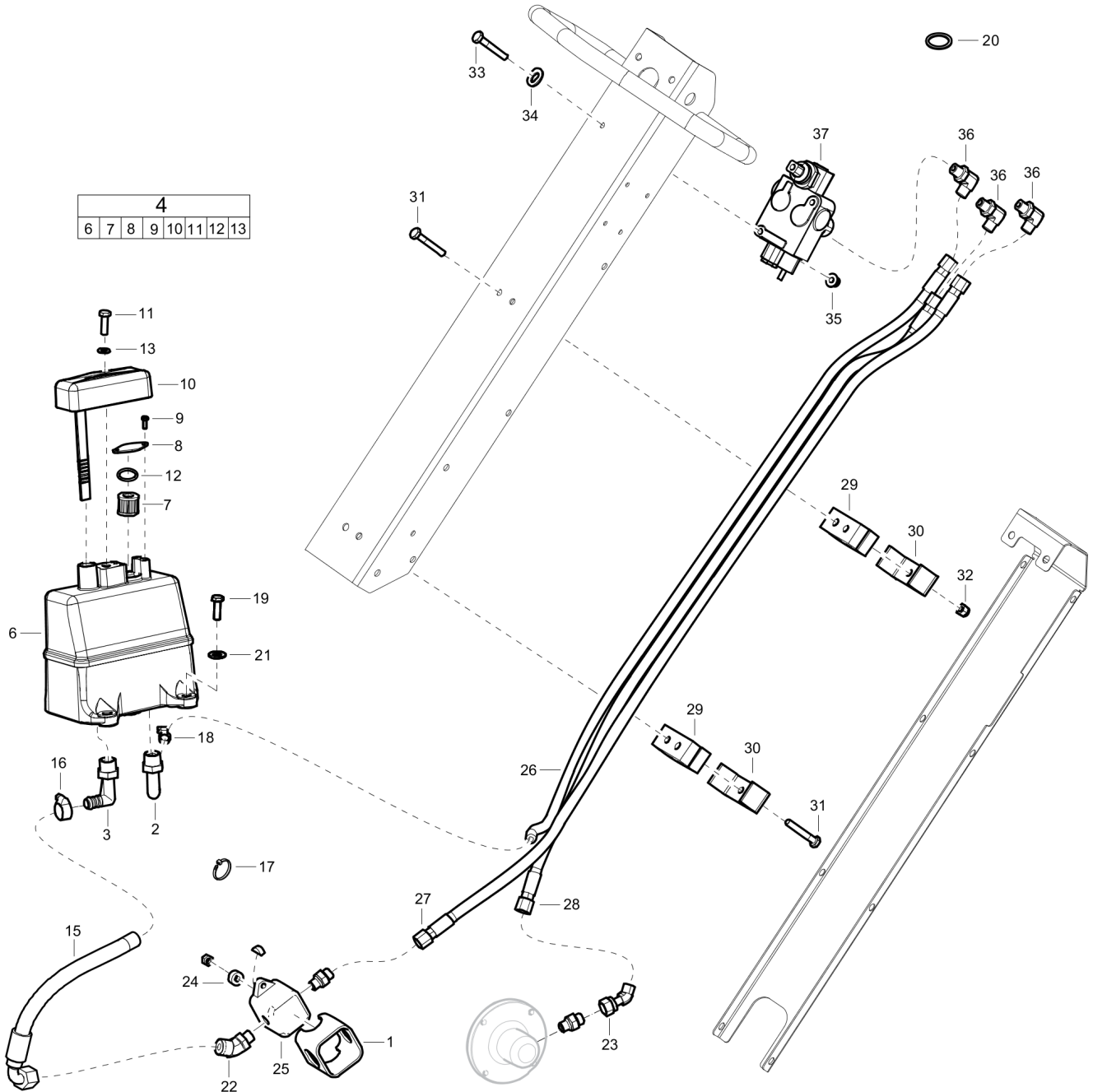
Item	Part No.	Name	Qty	L
-	4812070095	Spring pin	1	
1	4812070053	Piston	1	
2	4812070363	Spring washer	1	
3	4812070362	Thrust ball bearing	1	
4	4700150002	Retaining ring	1	
5	4812070359	Ball bearing	1	
6	4700151039	Retaining ring	1	
7	0108132400	Spring pin, Ø6 x 20 mm DIN 1481	1	
8	4812070097	Cap	1	
9	4812070051	Piston rod	1	
10	4700281276	Sealing ring	1	
11	4700379175	Eccentric housing	1	
12	4700150017	Retaining ring	4	
13	4700903363	Roller bearing	4	
14	4700395060	Shaft, cpl	1	
15	4700379167	Cover	1	
16	4812070055	Cover	1	
17	4700280645	Spacer ring	1	
18	4700928794	Sealing ring	1	
19	9125664800	Seal washer	1	
20	4700232143	Plug, M16	1	
21	4700379168	Cover	1	
22	4812070054	Eccentric shaft	1	
23	4700929287	Ball bearing	2	
24	4700280669	Eccentric	1	
25	4812070096	Gear wheel	1	
26	4700280646	Spacer	1	
27	4700928241	Screw	1	
28	4700280677	Spring	1	
29	4700280648	Washer	2	
30	4700151007	Retaining ring	1	
31	4700286380	Weight	1	
32	4700904638	Washer 12x22x2	2	
33	4700792724	Screw, M12 x 60 mm 10.9GEOMET®	1	
34	4700500040	Screw, M6x20 mm 8.8 A2K	16	
35	4700792723	Screw, M12 x 30mm 10.9GEOMET®	1	
36	4700280644	Pin	1	
37	4700904228	Washer, 6.4x12x1.5 mm 300 HV	16	

Refer to the Parts Online web page for most up-to-date information. The printed information might be outdated.

Item	Part No.	Name	Qty	L
38	4812070050	Hydraulic cylinder	1	
39	4700280643	Pulley	1	
40	4700280654	Washer	1	
41	0147136203	Screw	1	

This page intentionally left blank

Mechanical Hydraulic system



Refer to the Parts Online web page for most up-to-date information. The printed information might be outdated.

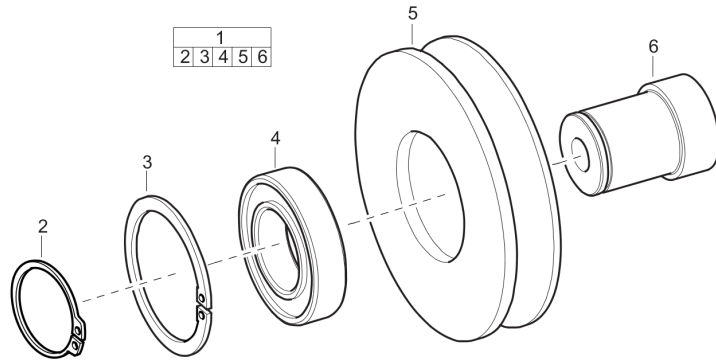
Item	Part No.	Name	Qty	L
1	4700280540	Cover	1	
2	4700376674	Adapter	1	
3	4700376675	Adapter	1	
4	4700376677	Hydraulic oil tank, complete	1	
6	4700387830	Hydraulic oil tank	1	
7	4700381566	Air filter	1	
8	4700381563	Holder	1	
9	4700904960	Screw, K50 x 12 mm Type KX-PT	2	
10	4700381385	Cover with oil dipstick	1	
11	4700500021	Screw, M8x25 mm 8.8 A2K	1	
12	4700160110	O-ring	1	
13	4700904229	Washer, 8.4x 6x1.5 mm 300HV	1	
15	4700395373	Hydraulic hose	1	
16	4700313003	Hose clamp	1	
17	0348010119	Cable ty	1	
18	4700313108	Hose clamp	1	
19	0147136303	Screw	4	
20	4700901141	Loctite	1	
21	0300027438	Washer	4	
22	4700792253	Elbow	1	
23	4700791403	Elbow	1	
24	4700928894	Sleeve	1	
25	4700383562	Hydraulic pump	1	
26	3382014597	Hose	1	
27	3382014590	Hose	1	
28	3382014593	Hose	1	
29	4700280534	Rubber block	2	
30	3382010182	Bracket	2	
31	0147133003	Screw	4	
32	0291112818	Nut	2	
33	0147125503	Screw, M6 x 55 mm 8.8 A2K	2	
34	0301232100	Washer	2	
35	0291112816	Lock nut, M8	2	
36	4700791397	Elbow 90, O-ring	3	
37	4700282993	Valve, complete	1	

Refer to the Parts Online web page for most up-to-date information. The printed information might be outdated.

Item	Part No.	Name	Qty	L
1	3382014779	Throttle control	1	
2	4700397114	Throttle lever	1	
3	3382014780	Cable	1	
4	4812070115	Throttle control bracket	1	
5	0291112816	Lock nut, M8	1	
6	0147124603	Screw	2	
7	0346100201	Clamp	2	
8	0211124603	Screw	2	
9	0301232100	Washer	2	
10	0216110080	Screw, M5 x 30 mm A2-70	4	
11	0215001086	Hexagon socket button head screw	1	
12	4700387958	Bracket	1	
13	0211124603	Screw	1	

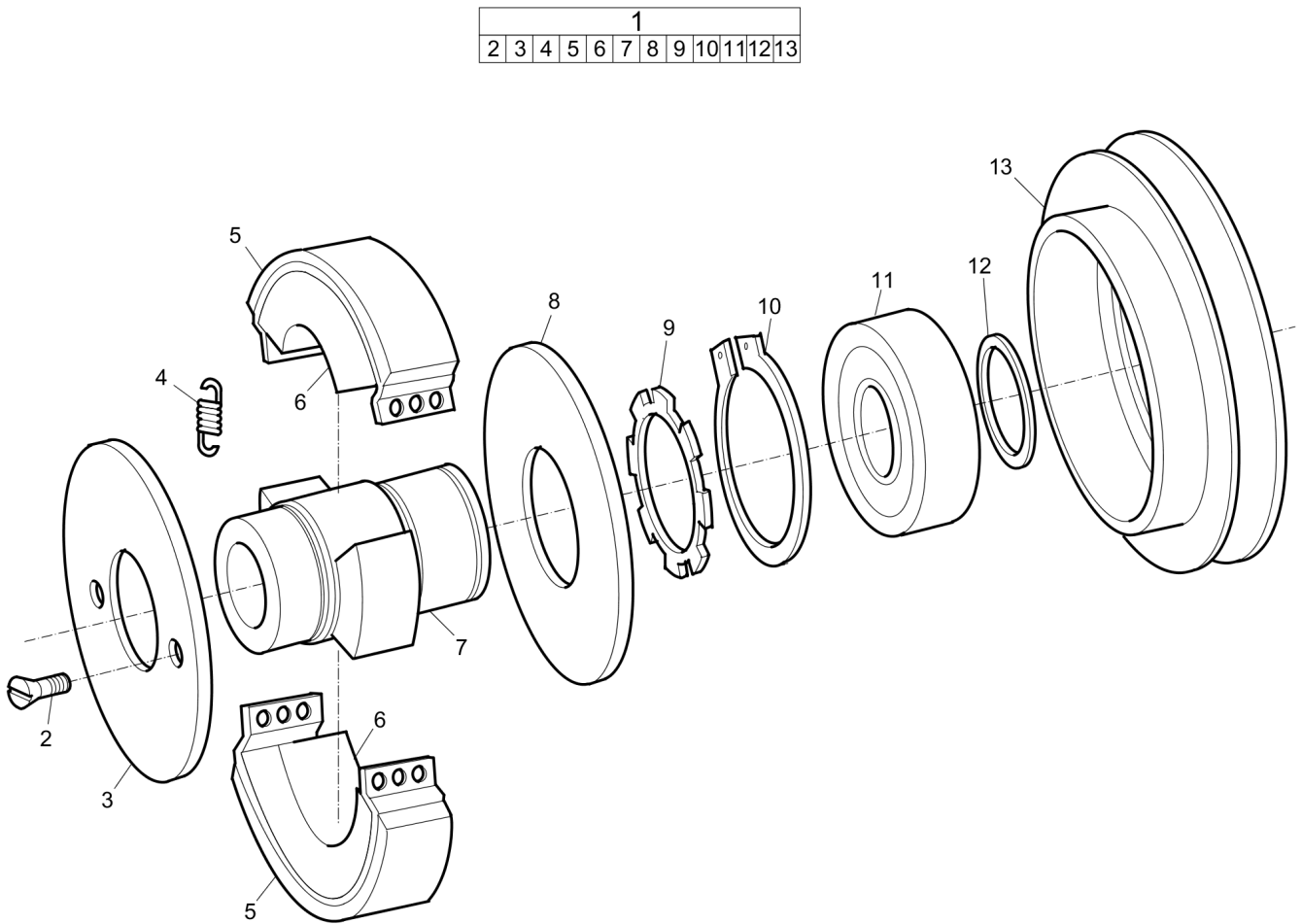
Item	Part No.	Name	Qty	L
1	4700393319	Throttle control	1	
2	4700397114	Throttle lever	1	
3	4700393318	Cable	1	
4	4812070115	Throttle control bracket	1	
5	0291112816	Lock nut, M8	1	
6	0211124603	Screw	2	
7	0346100201	Clamp	1	
8	0147124603	Screw	1	
9	0301232100	Washer	3	
10	0216110080	Screw, M5 x 30 mm A2-70	4	
11	4700284107	Nipple	1	
12	0266210800	Nut	2	

Mechanical Belt tightner



Item	Part No.	Name	Qty	L
1	4700280835	Belt tightener	1	
2	0335112700	Circlip	1	
3	0335210511	Snap ring	1	
4	4700111114	deep groove ball bearing	1	
5	4700280836	V-belt pulley	1	
6	4700280837	Shaft	1	

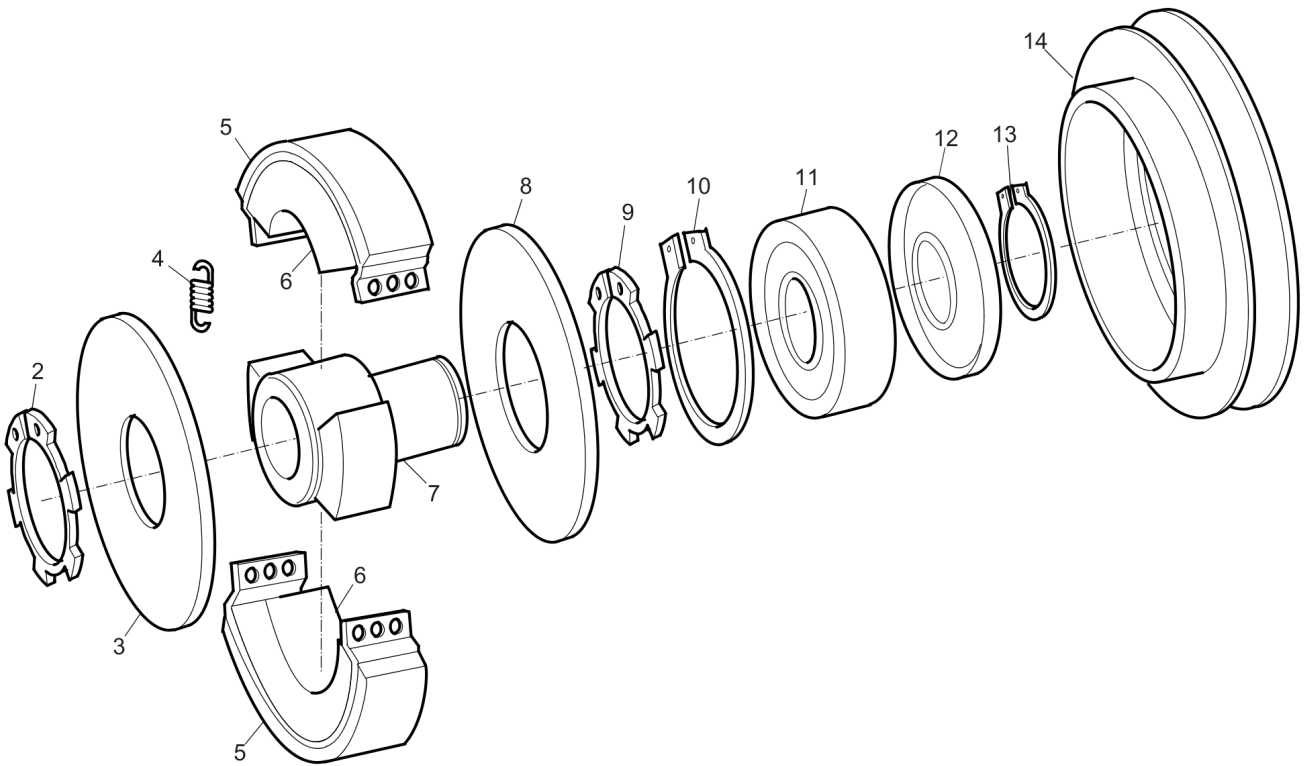
Mechanical Centrifugal clutch, Honda



Item	Part No.	Name	Qty	L
1	4700281124	Centrifugal clutch, cpl	1	
2	4700535002	Screw	2	
3	3382010184	Cover	1	
4	4700929356	Spring	2	
5	4700929360	Clutch lining	2	
6	4700239290	Weight	2	
7	4700935807	Hub	1	
8	4700935808	Cover	1	
9	4700239734	Retaining ring	1	
10	4700151019	Retaining ring	1	
11	4700111180	Ball bearing	1	
12	4700150012	Retaining ring for shaft	1	
13	4700935803	Pulley	1	

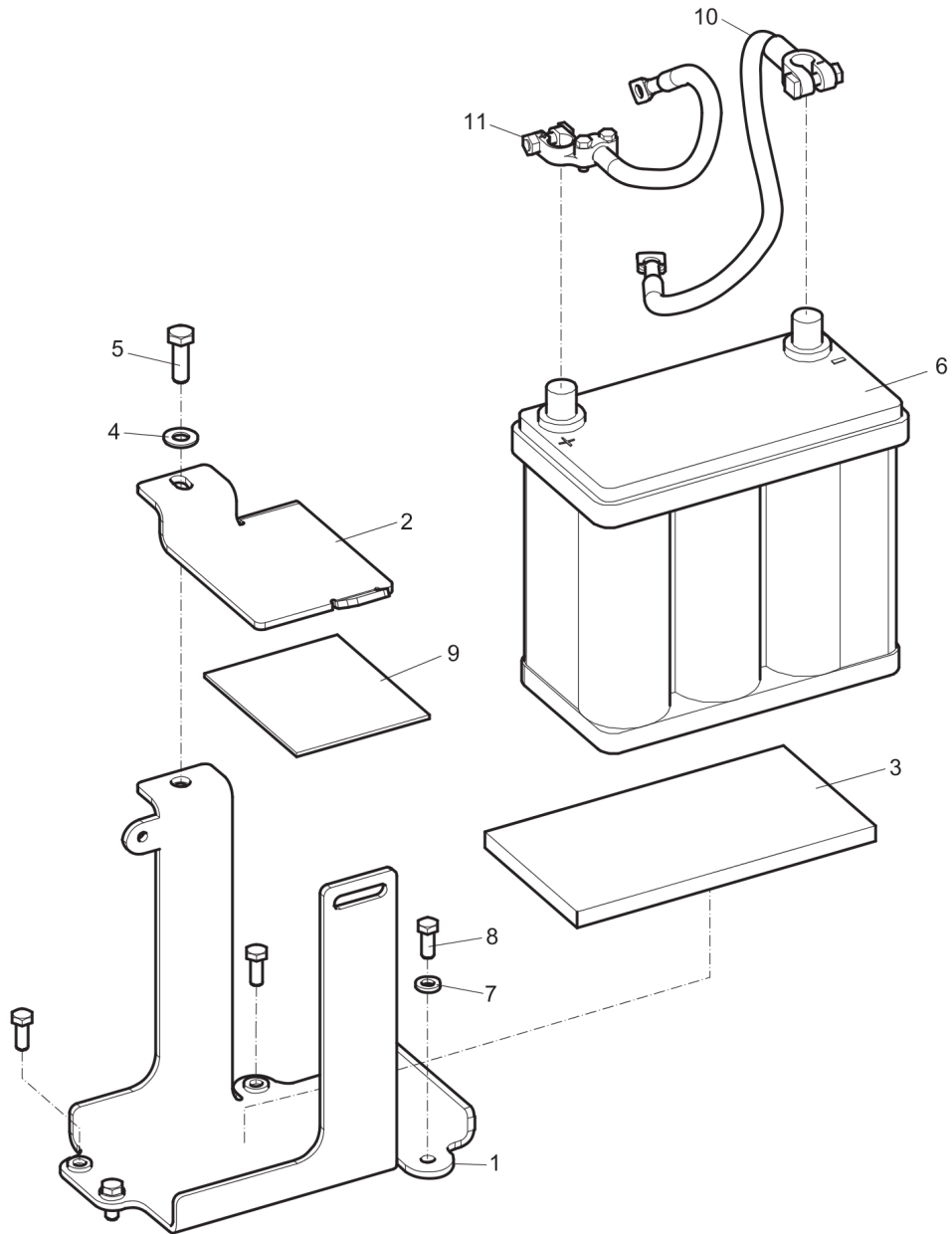
Mechanical Centrifugal clutch, Hatz manual start

1													
2	3	4	5	6	7	8	9	10	11	12	13	14	



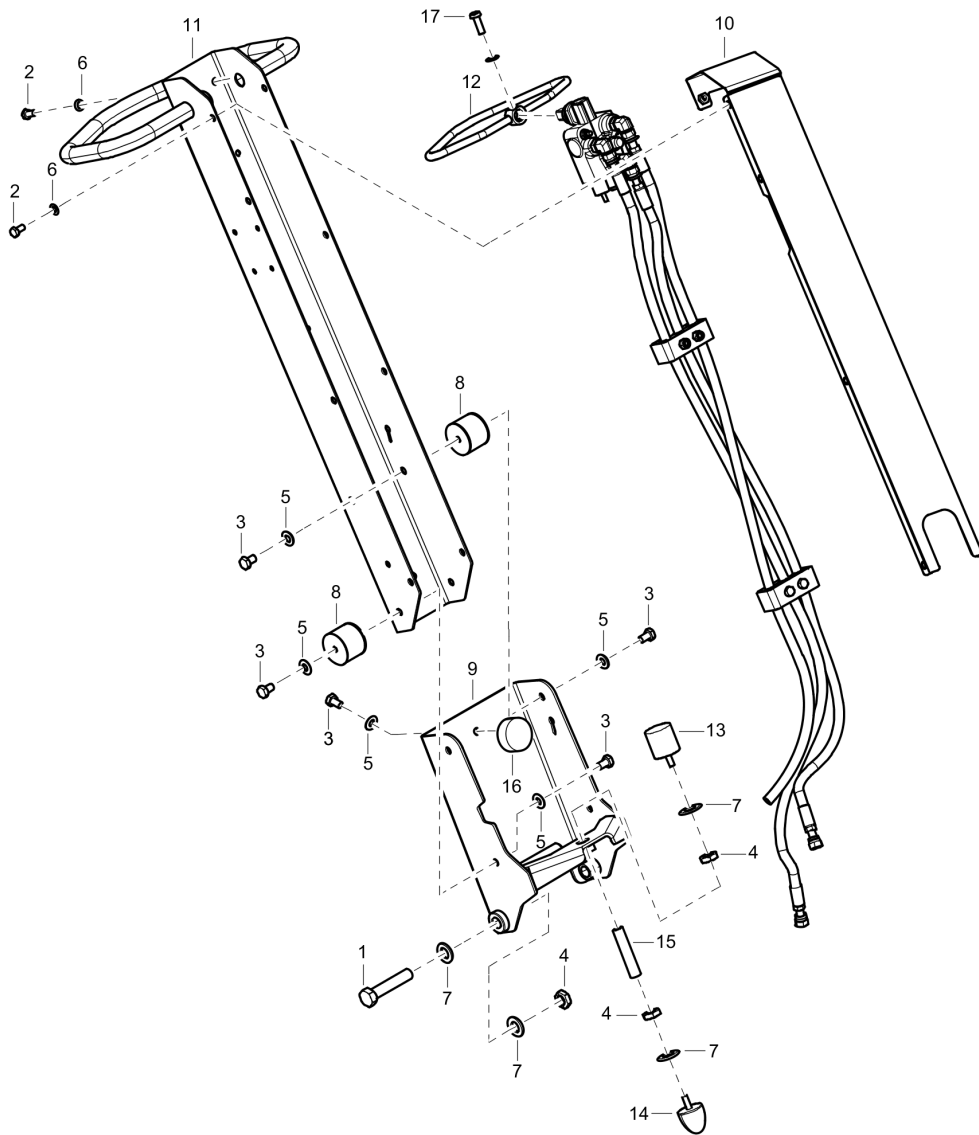
Item	Part No.	Name	Qty	L
1	4700282734	Centrifugal clutch, cpl	1	
2	4700239734	Retaining ring	1	
3	4700935808	Cover	1	
4	4700239732	Spring	4	
5	4700238606	Clutch lining	2	
6	4700912477	Centrifugal weight	2	
7	4700937031	Hub	1	
8	4700239857	Cover	1	
9	4700239593	Clamp	1	
10	4700151023	Retaining ring	1	
11	4700111178	Ball bearing	1	
12	4700938727	Nilos ring	1	
13	4700150015	Circlip	1	
14	3382100294	V-belt pulley	1	

Mechanical Battery installation



Item	Part No.	Name	Qty	L
1	4700395879	Holder	1	
2	4700395878	Bracket	1	
3	4700395687	Insulation	1	
4	4700904230	Plain washer 10.5x22x2 mm	1	
5	4700500030	Screw hexagon	1	
6	4700378719	Battery	1	
7	4700904556	Steel plain washer 8,4x16x3,0	4	
8	4700500053	Screw, M8x20 mm 8.8 A2K	4	
9	4700395998	Rubber cloth	1	
10	4700792717	Battery cable -	1	
11	4700792234	Battery cable +	1	

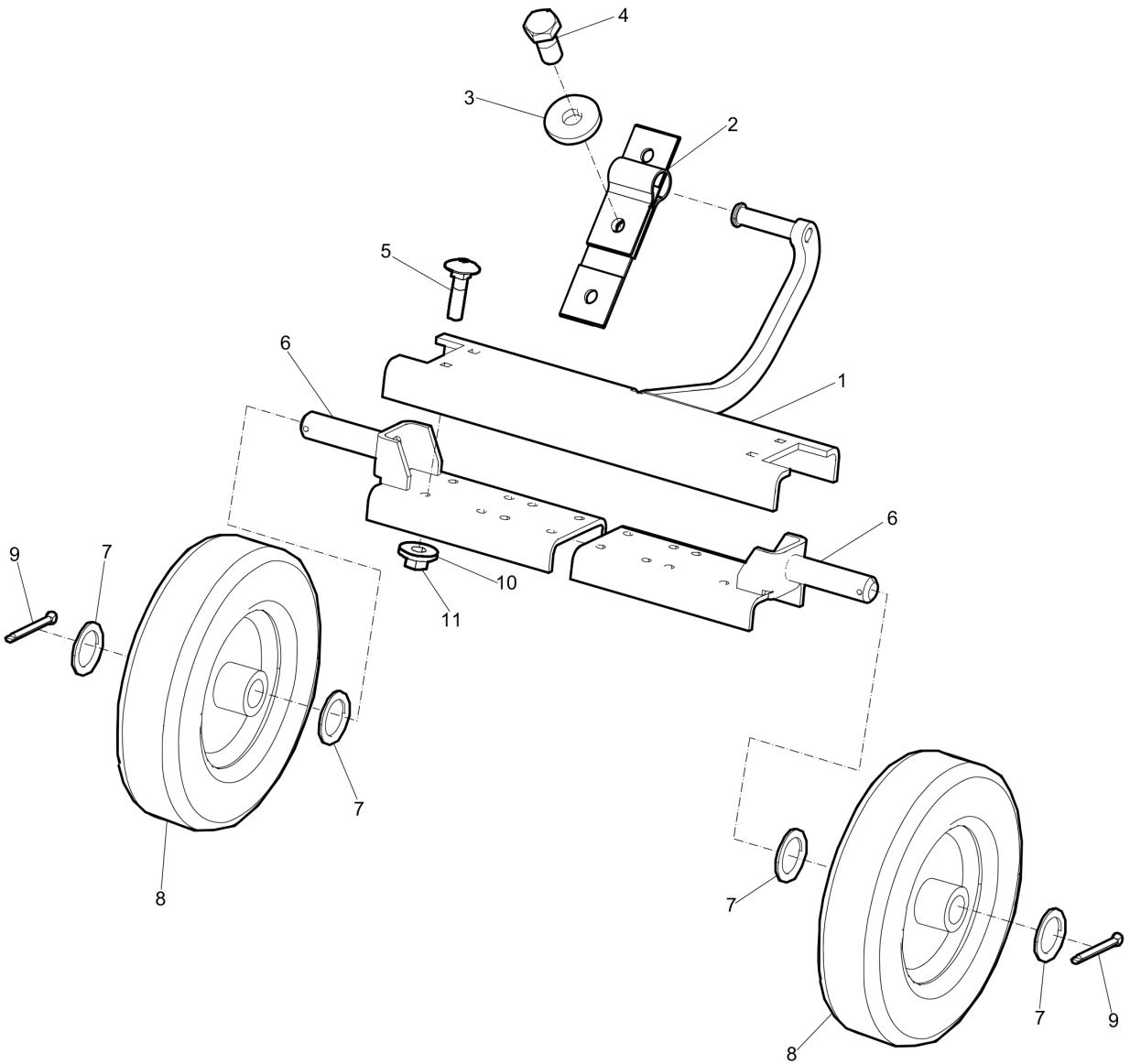
Mechanical Handle assembly



Refer to the Parts Online web page for most up-to-date information. The printed information might be outdated.

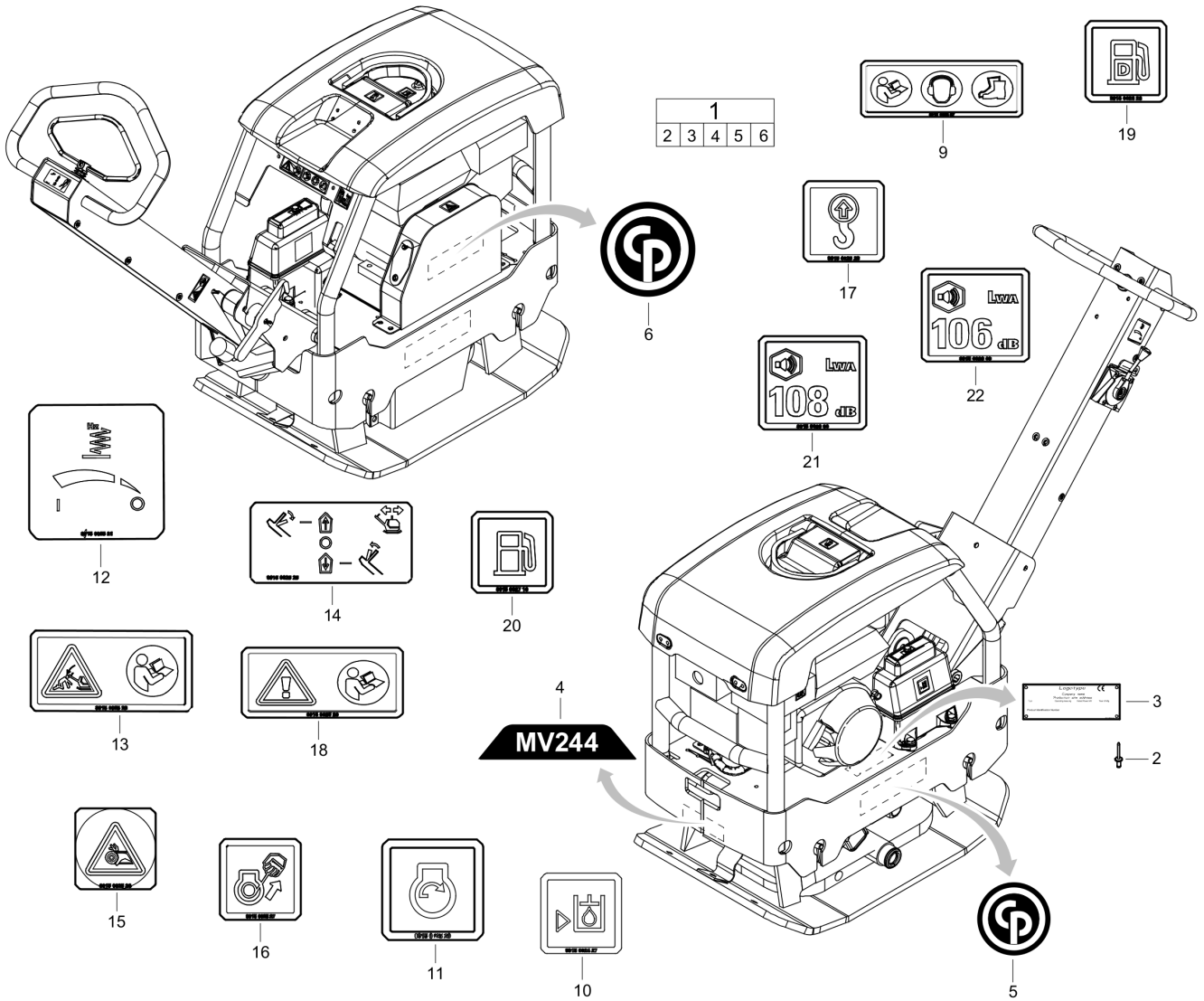
Item	Part No.	Name	Qty	L
1	0147110961	Screw, M1 x 65 mm 8.8 A3K	2	
2	0147132203	Screw	10	
3	0147135903	Screw	9	
4	0261211400	Hexagon nut	4	
5	0300027438	Washer	9	
6	0301233500	Plain washer(A) 8.4 x 16 x 1.6	10	
7	0301237800	Washer	6	
8	3382010183	Shock absorber	4	
9	3382014209	Handle bracket	1	
10	3382014260	Sheet metal part	1	
11	3382014322	Grab handle	1	
12	4812070025	Control lever	1	
13	4700792832	Shock absorber	1	
14	4700792833	Shock absorber	1	
15	4700397583	Stud	1	
16	4700791373	Shock absorber	1	
17	0147132503	Screw	1	

Mechanical Transport device



Item	Part No.	Name	Qty	L
1	4700394933	Transport device	1	
2	3382010874	Strap	1	
3	0303115900	Washer, 13 x 36 x 6 mm, 0.51 x 1.42 x 0.24 in. 300 HV	1	
4	0147140003	hexagon head screw	1	
5		Flat head screw	4	
6	4700394985	Wheel bracket	2	
7	4700271032	Washer	4	
8	4700383598	Wheel	2	
9	0111125203	Cotter pin	2	
10	0300013055	Washer, 8.4 x 16 x 1.5 mm, 0.33 x 0.63 x 0.06 in. 300 HV	4	
11		Flat head screw	4	

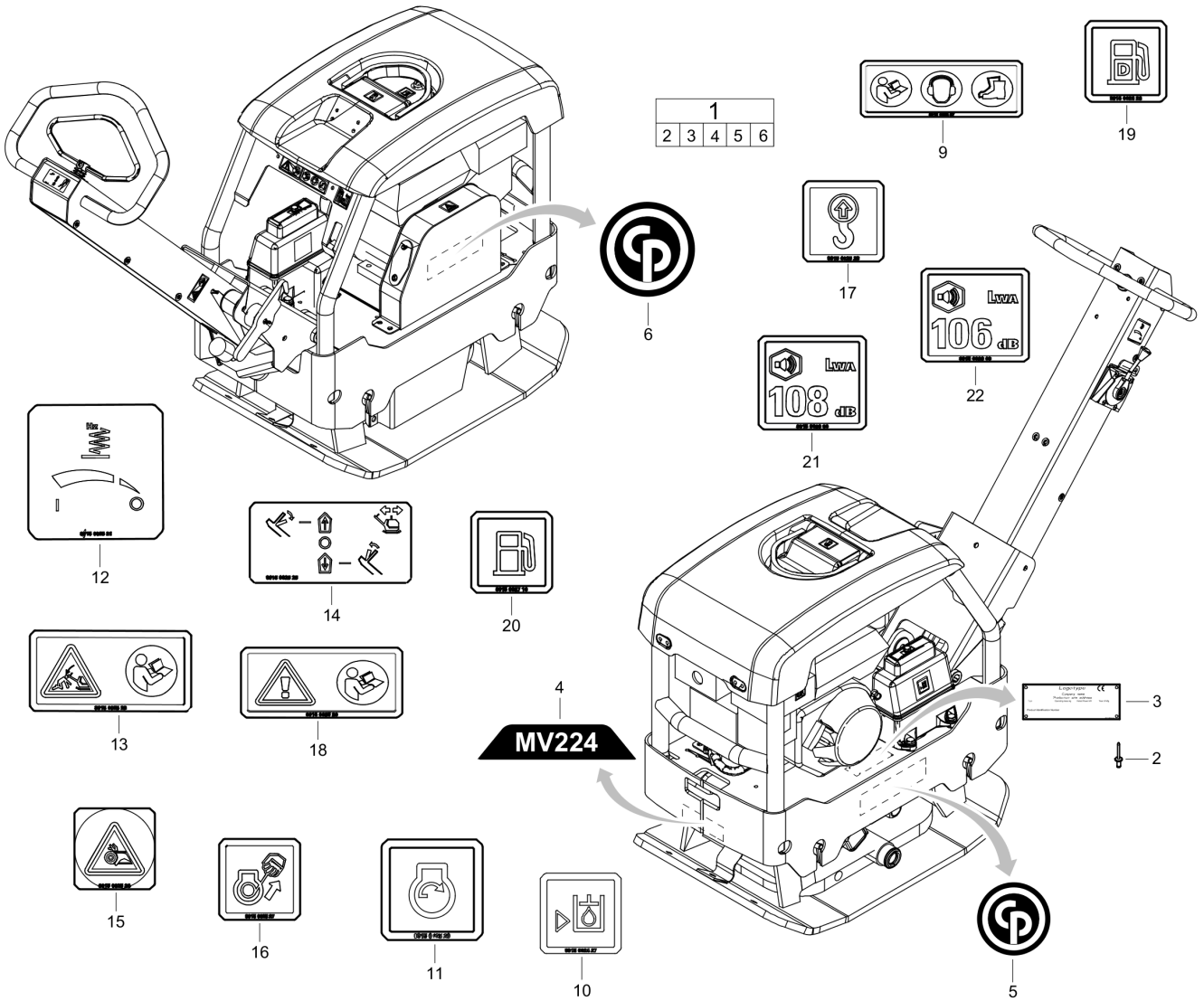
Mechanical Decals, Hatz



Refer to the Parts Online web page for most up-to-date information. The printed information might be outdated.

Item	Part No.	Name	Qty	L
1(2-6)	3382014812	Labels	1	
2	0244414300	Drive screw	4	
3	-	Dataplate	1	
4	8915300303	Product name	2	
5	8915300267	Label	1	
6	8915300301	CP logotype	1	
9	8915002387	Safety label, read instructions, ear protection and safety boots	1	
10	8915002427	Label, hydraulic oil level	1	
11	8915002520	Label, electric engine start	1	
12	8915002521	Label, throttle control non EPA	1	
13	8915002523	Safety label, lock handle	1	
14	8915002525	Label, operator panel	1	
15	8915002526	Safety label, rotating V-belts	1	
16	8915002527	Label, manual start	1	
17	8915002528	label, lifting point	1	
18	8915002529	Safety label, read instruction manual	1	
19	8915002626	Label,fuel	1	
20	8915002716	PETROL FUEL	1	
21	8915002680	Decal, Noise 108 dB	1	
22	8915002608	Decal 40x40 mm, noise 106 db	1	

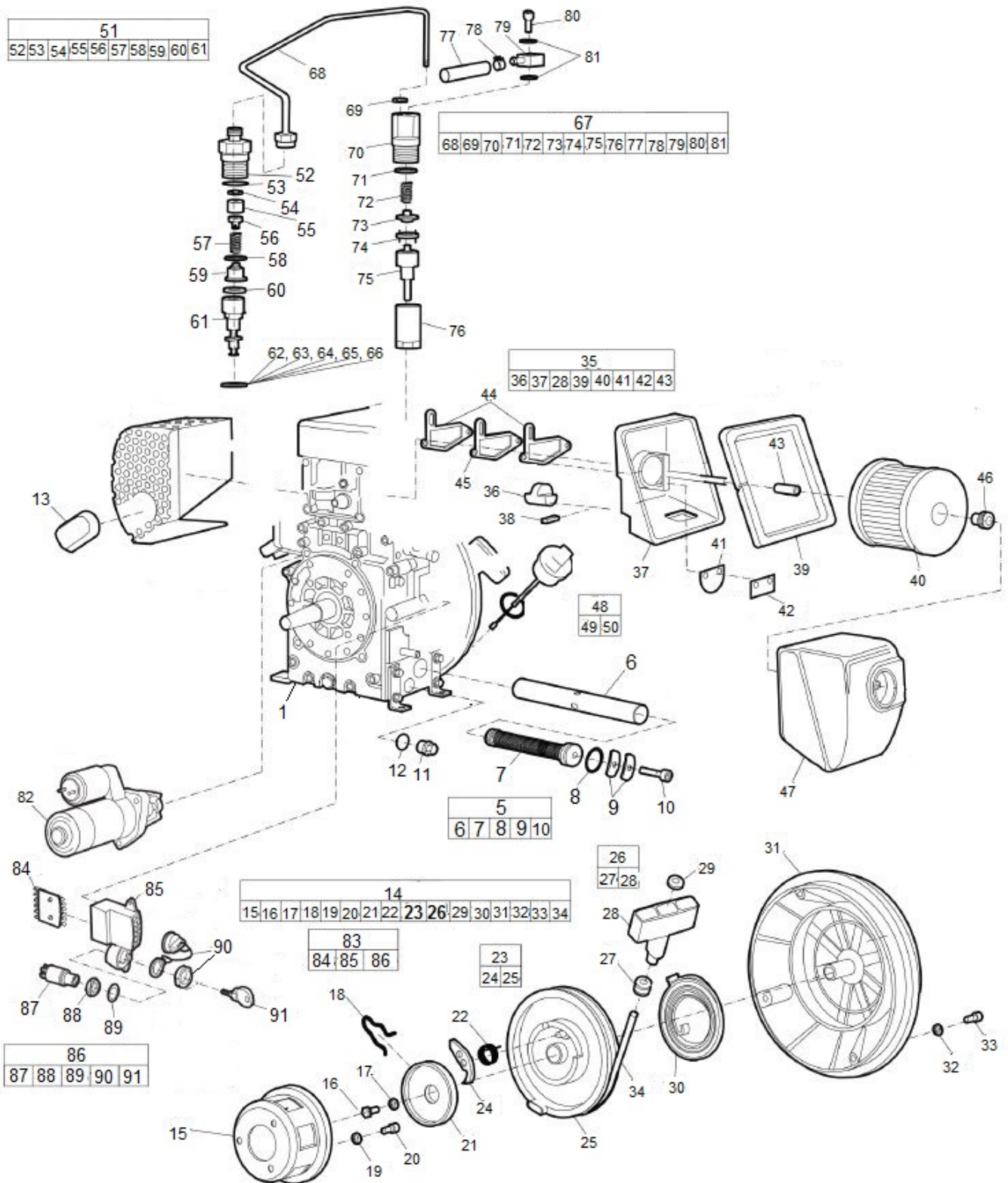
Mechanical Decals, Honda



Refer to the Parts Online web page for most up-to-date information. The printed information might be outdated.

Item	Part No.	Name	Qty	L
1(2-6)	3382014839	Lables	1	
2	0244414300	Drive screw	4	
3	-	Dataplate	1	
4	8915300302	Product name	1	
5	8915300267	Label	1	
6	8915300301	CP logotype	1	
9	8915002387	Safety label, read instructions, ear protection and safety boots	1	
10	8915002427	Label, hydraulic oil level	1	
11	8915002520	Label, electric engine start	1	
12	8915002521	Label, throttle control non EPA	1	
13	8915002523	Safety label, lock handle	1	
14	8915002525	Label, operator panel	1	
15	8915002526	Safety label, rotating V-belts	1	
16	8915002527	Label, manual start	1	
17	8915002528	label, lifting point	1	
18	8915002529	Safety label, read instruction manual	1	
19	8915002626	Label,fuel	1	
20	8915002716	PETROL FUEL	1	
21	8915002680	Decal, Noise 108 dB	1	
22	8915002608	Decal 40x40 mm, noise 106 db	1	

Engine Engine, Hatz 1B20



Refer to the Parts Online web page for most up-to-date information. The printed information might be outdated.

Item	Part No.	Name	Qty	L
1	4700391057	Engine, cpl Hatz 1B20, electrical started	1	
5	4700937001	Oil strainer, cpl	1	
6	-	Tube	1	
7	-	Oil strainer	1	
8	-	O-ring	1	
9	-	Washer	1	
10	-	Screw	1	
11	4700937002	Plug	1	
12	4700748479	Washer	1	
13	4700937004	Exhaust pipe	1	
14	4700936982	Recoil starter, cpl	1	
15	4700936999	Starter pulley	1	
16	-	Screw	1	
17	-	Washer	1	
18	4700936991	Spring	1	
19	-	Spring washer	1	
20	-	Screw	1	
21	3382015174	Fricion plate	1	
22	4700936996	O-ring	1	
23	4700936990	Reel	1	
24	4700936995	Ratchet	1	
25	-	Start pulley	1	
26	4700936983	Handle, complete	1	
27	3382100145	Sleeve	1	
28	-	Handle	1	
29	3382100146	Washer, 5.3 mm, 0.21 in.	1	
30	4700936985	Spiral spring	1	
31	3382015175	Housing	1	
32	-	Washer	4	
33	-	Screw	4	
34	4700936989	Rope	1	
35	3382100150	Air filter housing, complete	1	
36	-	Vent nipple	1	
37	-	Housing	1	
38	-	Sealing strip	1	
39	-	Sealing strip	1	
40	4700937013	Air filter	1	
41	-	Valve plate	1	

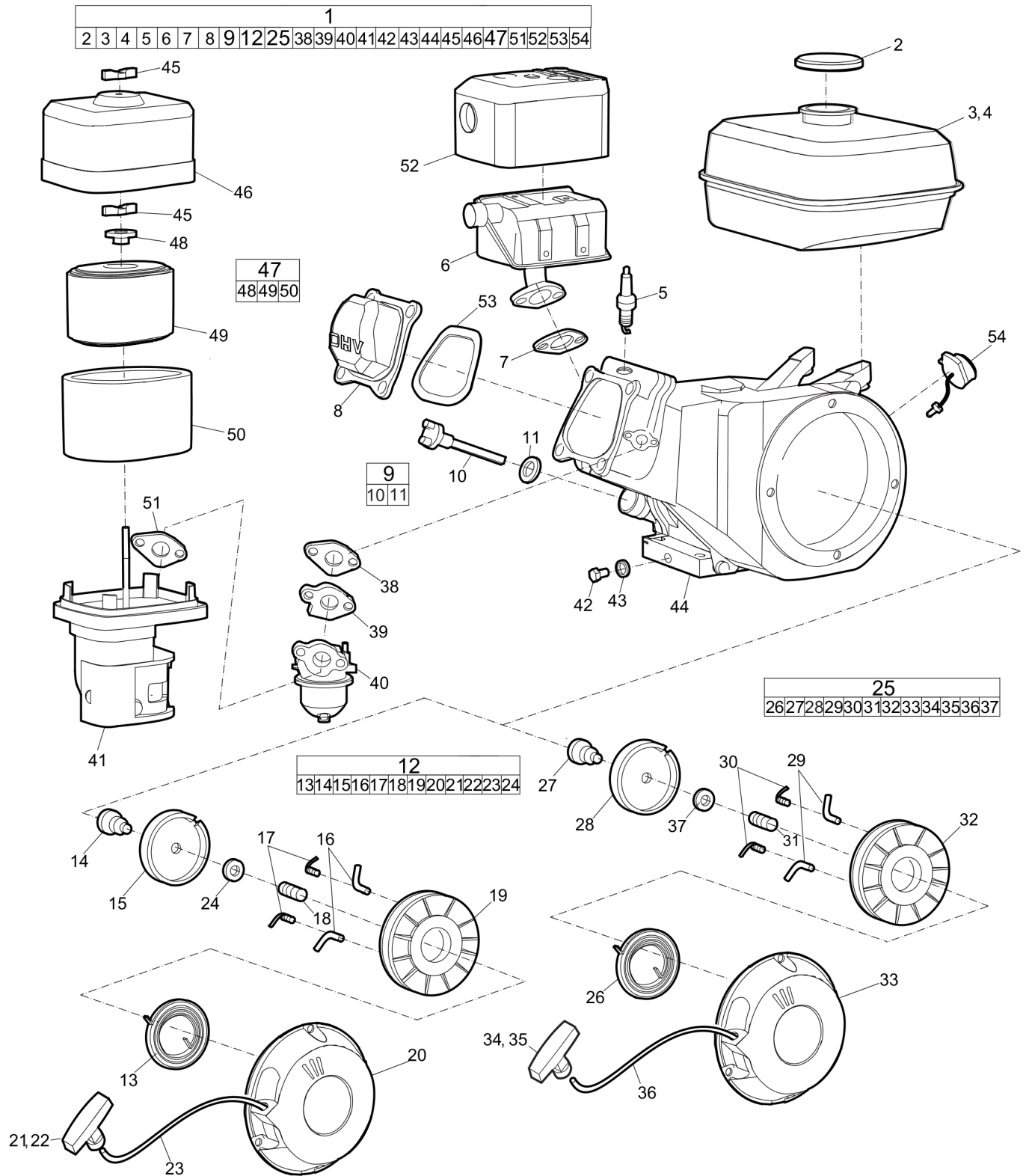
Refer to the Parts Online web page for most up-to-date information. The printed information might be outdated.

Item	Part No.	Name	Qty	L
42	-	Valve plate	1	
43	-	Rubber sleeve	1	
44	4700937022	Gasket	2	
45	4700937023	Gasket	1	
46	4700937014	Nut	1	
47	3382015176	Protecting cover	1	
48	4700937608	Oil dipstick	1	
49	-	Dipstick	1	
50	4700945425	O-ring	1	
51	3382015166	Injection pump	1	
52	-	Pump part	1	
53	-	Pump part	1	
54	-	Pump part	1	
55	-	Pump part	1	
56	-	Pump part	1	
57	-	Pump part	1	
58	-	Pump part	1	
59	-	Pump part	1	
60	-	Pump part	1	
61	-	Pump part	1	
62	4700936977	O-ring 0,2 mm	1	
63	4700936978	O-ring 0,3 mm	1	
64	4700936979	O-ring 0,4 mm	1	
65	4700936980	O-ring 0,5 mm	1	
66	4700936981	O-ring 0,6 mm	1	
67	3382100155	Injector, complete	1	
68	-	Injector part	1	
69	-	Injector part	1	
70	-	Injector part	1	
71	-	Injector part	1	
72	-	Injector part	1	
73	-	Injector part	1	
74	-	Injector part	1	
75	-	Injector part	1	
76	-	Injector part	1	
77	-	Injector part	1	
78	-	Injector part	1	
79	-	Injector part	1	

Refer to the Parts Online web page for most up-to-date information. The printed information might be outdated.

Item	Part No.	Name	Qty	L
80	-	Injector part	1	
81	-	Injector part	1	
82	4700938935	Starter	1	
83	4700939588	Instrument box, cpl	1	
84	-	Circuit card	1	
85	-	Housing	1	
86	3382015167	Ignition switch	1	
87	-	Ignition switch part	1	
88	-	Ignition switch part	1	
89	-	Ignition switch part	1	
90	3382015178	Dust cover	1	
91	3382100196	Ignition key	1	

Engine Engine, Honda GX 200 UT SM-12 OH



Refer to the Parts Online web page for most up-to-date information. The printed information might be outdated.

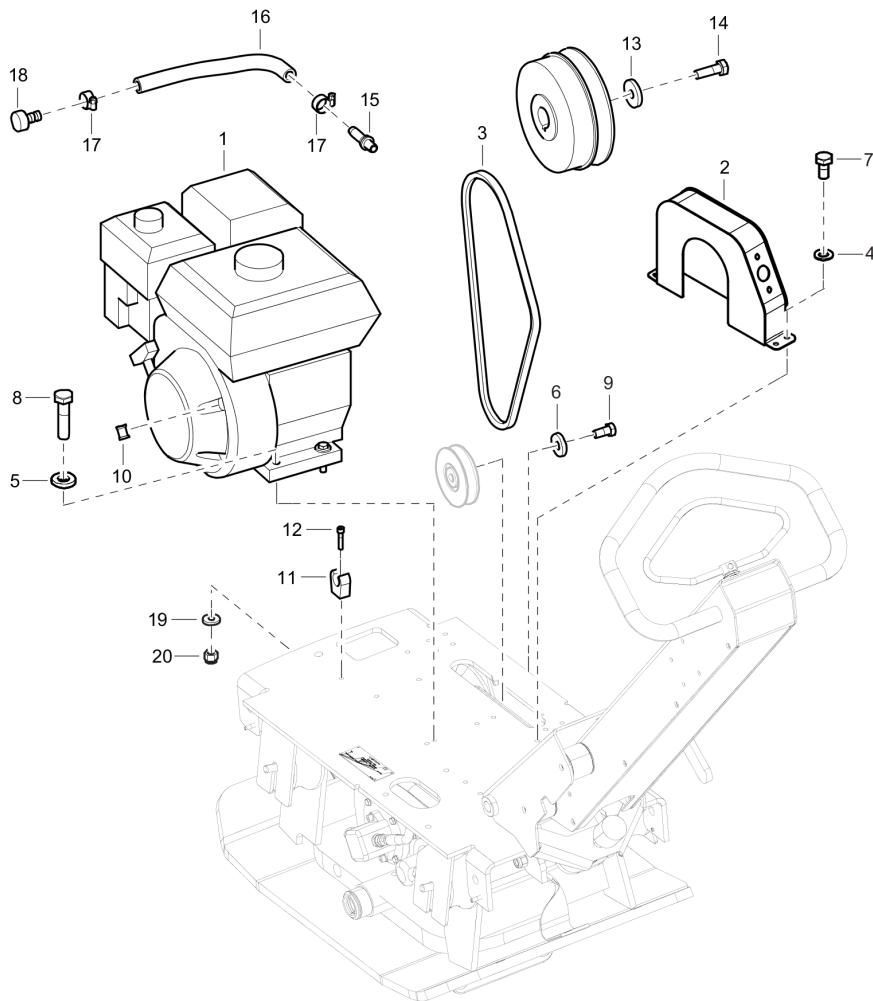
Item	Part No.	Name	Qty	L
1	4700387979	Engine, complete Honda GX200 SM-12SD	1	
2	4700950168	Fuel cap	1	
3	3382100173	Fuel tank	1	A
4	3382100106	Fuel tank	1	B
5	3382100054	Spark plug	1	
6	4700239889	Muffler	1	
7	4700239063	Gasket, muffler	1	
8	4700937917	Valve cover	1	
9	3382100165	Oil dipstick, complete	1	
10	-	Dipstick	1	C
11	4700238303	Gasket	1	
12	4700940538	Recoil starter, complete	1	D
13	4700239375	Spring	1	
14	3382100177	Adjustment screw	1	
15	3382100191	Guide	1	
16	3382100169	Ratchet	2	
17	3382100192	Spring	2	
18	3382100193	Spring	1	
19	3382100171	Reel	1	
20	2020202020	Cover	1	
21	3382100194	Handle	1	E
22	4700239391	Handle	1	F
23	4700239374	Starter rope	1	
24	3382100170	Friction washer	1	
25	3382100190	Recoil starter, complete	1	G
26	4700239375	Spring	1	
27	3382100177	Adjustment screw	1	
28	3382100191	Guide	1	
29	3382100169	Ratchet	2	
30	3382100192	Spring	2	
31	3382100193	Spring	1	
32	3382100171	Reel	1	
33	-	Cover	1	
34	4700239391	Handle	1	H
35	3382100194	Handle	1	I
36	4700239374	Starter rope	1	
37	3382100170	Friction washer	1	
38	3382100168	Gasket	1	

Refer to the Parts Online web page for most up-to-date information. The printed information might be outdated.

Item	Part No.	Name	Qty	L
39	4700939659	Spacer	1	
40	3382100189	Carburetor	1	
41	4700938230	Air filter housing	1	
42	4700238302	Oil plug	1	
43	4700238303	Gasket	1	
44	-	Crankcase	1	
45	4700239371	Oil plug	2	
46	4700239685	Cover	1	
47	4700239323	Air filter, complete	1	
48	4700239772	Grommet	1	
49	-	AIRFILTER	1	J
50	4700938229	Airfilter	1	K
51	4700939659	Spacer	1	
52	4700239890	Muffler cover	1	
53	4700238301	Gasket	1	
54	3382100172	Engine switch	1	

This page intentionally left blank

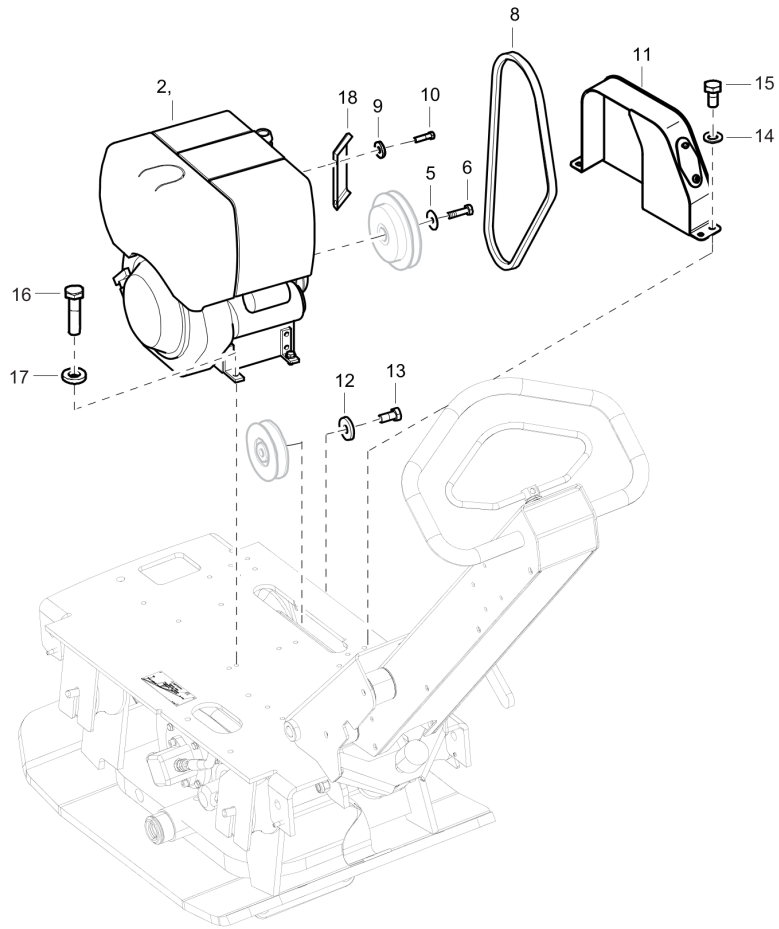
Engine Engine installation, Honda



Refer to the Parts Online web page for most up-to-date information. The printed information might be outdated.

Item	Part No.	Name	Qty	L
1	4700387979	Engine, complete Honda GX200 SM-12SD	1	A
2	3382014422	V-belt cover	1	
3	4700281345	V-belt	1	
4	0300013055	Washer, 8.4 x 16 x 1.5 mm, 0.33 x 0.63 x 0.06 in. 300 HV	4	
5	0301233500	Plain washer(A) 8.4 x 16 x 1.6	4	
6	0300013079	Washer, 10.5 x 22 x 4 mm, 0.41 x 0.87 x 0.16 in. 300 HV	1	
7	0147132203	Screw	4	
8	0147132703	Screw	4	
9	0147140103	Hexagon bolt	1	
10	0346100201	Clamp	1	
11	4700281234	Ryw-clips	1	
12	-	Screw, M5 x 25 mm 8.8 A2K	1	
13	0300013080	Washer, 8.4 x 26 x 4 mm, 0.33 x 1.02 x 0.16 in. 300 HV	1	
14	0147132503	Screw	1	
15	4812070374	Hose connection	1	
16	3382010447	Hose	1	
17	4700313001	Hose clamp	2	
18	3382010180	Plug	1	
19	-	Washer, 5.3 x 10 x 1 mm, 0.21 x 0.39 x 0.04 in. 300 HV	1	
20	-	Nut, M5 A2K	1	

Engine Engine installation, Hatz



Refer to the Parts Online web page for most up-to-date information. The printed information might be outdated.

Item	Part No.	Name	Qty	L
2	4700391057	Engine, cpl Hatz 1B20, electrical started	1	B
5	0300013080	Washer, 8.4 x 26 x 4 mm, 0.33 x 1.02 x 0.16 in. 300 HV	1	
6	0147132603	Hex head screw M8 x 30	1	
8	4700281336	V-belt	1	F
9	0301232100	Washer	2	
10	0211124603	Screw	2	
11	3382014416	V-belt cover	1	
12	0300013079	Washer, 10.5 x 22 x 4 mm, 0.41 x 0.87 x 0.16 in. 300 HV	1	
13	0147140103	Hexagon bolt	1	
14	0300013055	Washer, 8.4 x 16 x 1.5 mm, 0.33 x 0.63 x 0.06 in. 300 HV	4	
15	0147132203	Screw	4	
16	0147132503	Screw	4	
17	0301233500	Plain washer(A) 8.4 x 16 x 1.6	4	
18	4700387577	Deflector	1	

Service One year service kit, Honda

NO EXPLODED VIEW
AVAILABLE
FOR THIS BOM

Item	Part No.	Name	Qty	L
1	3382100601	One year service kit, Honda	1	
2	4700239323	Air filter, complete	2	A
3	3382100054	Spark plug	1	
4	4700239374	Starter rope	1	
5	4700238303	Gasket	1	
6	9234001203	Cobra & compactor Impact-OIL 1L	2	
7	4700238301	Gasket	1	C
8	4700281345	V-belt	1	B

Service One year service kit, Hatz

NO EXPLODED VIEW
AVAILABLE
FOR THIS BOM

Item	Part No.	Name	Qty	L
-	3382100607	One year service kit, Hatz	1	
1	3382100569	Filter kit	2	
2	4700939618	Fuel filter	1	
3	4700937013	Air filter	1	
4	4700937003	O-ring	1	
5	4700936989	Rope	1	
6	4700281249	V-belt	1	
7	9234001203	Cobra & compactor Impact-OIL 1L	2	

Service Eccentric element repair kit

NO EXPLODED VIEW
AVAILABLE
FOR THIS BOM

Item	Part No.	Name	Qty	L
1	3382100036	Eccentric element repair kit	1	
2	4700903363	Roller bearing	4	A
3	4700928794	Sealing ring	1	A
4	4700929287	Ball bearing	2	A
5	4700151007	Retaining ring	1	A
6	0301232100	Washer	16	A
7	4700500040	Screw, M6x20 mm 8.8 A2K	16	A
8	4700929906	Packing	1	A
9	4700747541	Copper washer, 16.7 x 24 x 1.5 mm, 0.66 x 0.94 x 0.06 in. TYPE A, M16	1	A

Comments for Page: Eccentric element repair kit

(L)OCAL REMARKS

A | See section "Eccentric element".

Service Shock absorber repair kit

NO EXPLODED VIEW
AVAILABLE
FOR THIS BOM

Item	Part No.	Name	Qty	L
1	3382100030	Shock absorber repair kit	1	
-	4700280750	Shock absorber	4	A
-	0301235800	Washer	8	
-	0266211100	Nut DIN934	4	
-	0266211200	Nut DIN934	4	
-	3382010183	Shock absorber	4	B
-	0147135903	Screw	8	
-	0300027438	Washer	8	
-	4700791373	Shock absorber	1	C
-	0300027438	Washer	1	
-	0147135903	Screw	1	
-	--	Screw, M10 x 20 mm 8.8 A3K , See section "Handle".	1	
-	4700792832	Shock absorber	1	
-	4700792833	Shock absorber	1	
-	0261211400	Hexagon nut	2	
-	0301237800	Washer	2	

Comments for Page: Shock absorber repair kit

(L)OCAL REMARKS

A | For ground plate.

See section "Ground plate and eccentric element installation".

B | For handle.

See section "Handle".

C | See section "Handle".

Service Forward and reverse piston repair kit

NO EXPLODED VIEW
AVAILABLE
FOR THIS BOM

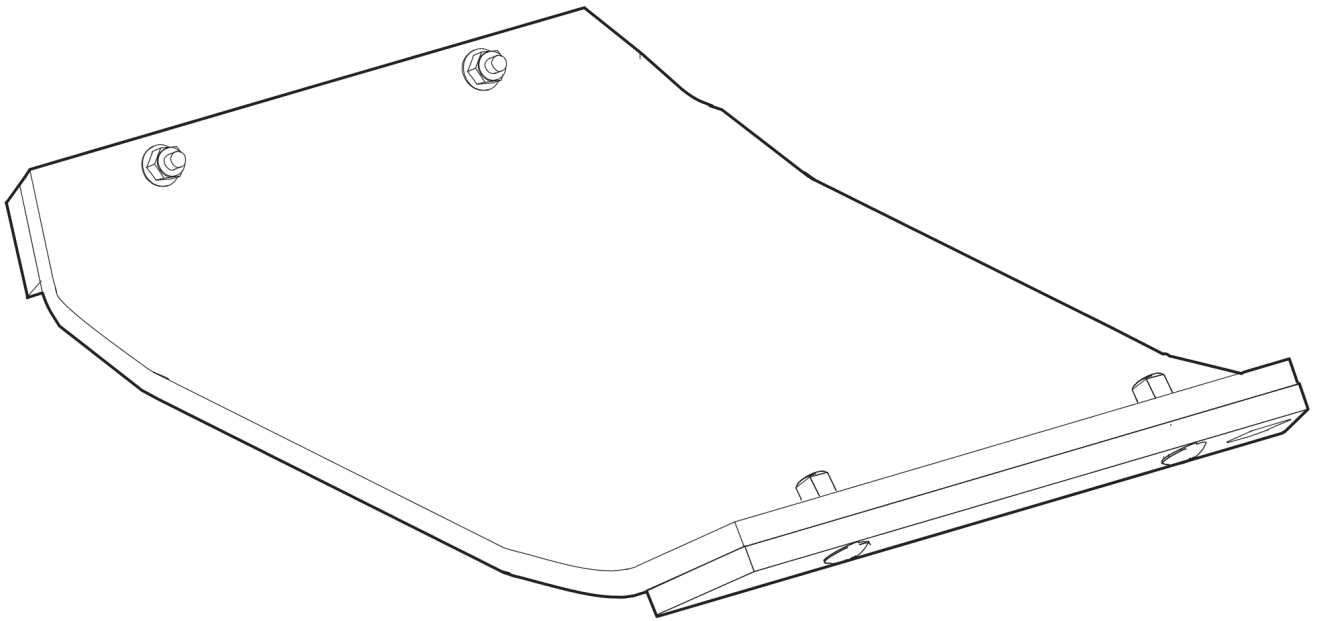
Item	Part No.	Name	Qty	L
1	3382100034	Forward and reverse piston repair kit	1	
2	4700281276	Sealing ring	1	A
3	4812070051	Piston rod	1	A
4	4700151039	Retaining ring	1	A
5	4812070359	Ball bearing	1	A
6	4700150002	Retaining ring	1	A
7	4812070362	Thrust ball bearing	1	A
8	4812070363	Spring washer	1	A
9	4812070050	Hydraulic cylinder	1	A
10	4700629062	Spring pin	1	A
11	0301232100	Washer	4	A
12	4700500040	Screw, M6x20 mm 8.8 A2K	4	A

Comments for Page: Forward and reverse piston repair kit

(L)OCAL REMARKS

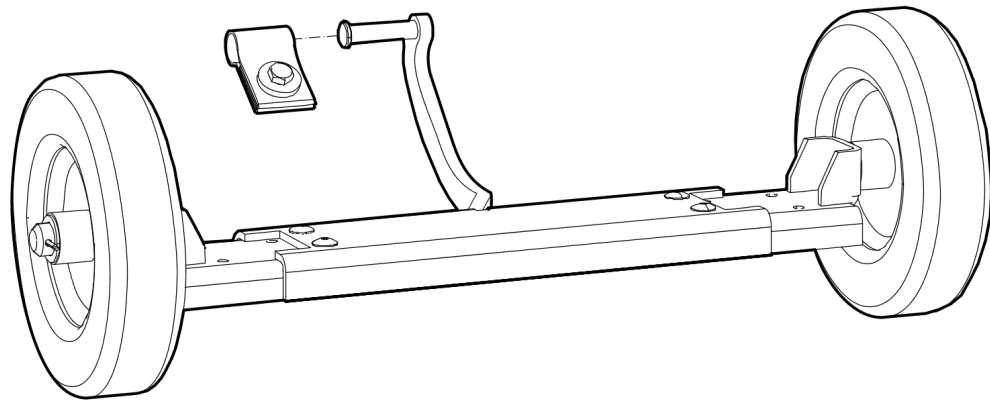
A | See section "Eccentric element".

Service Block paving plate kit 510 mm (20.1 in.)



Item	Part No.	Name	Qty	L
1	4700382000	Block paving plate kit 510 mm (20.1 in.)	1	
-	--	Polyurethane plate, 510 mm, 20.1 in.	1	
-	--	Bracket	2	
-	--	Nut, M10 x 1.5 mm A3K	4	
-	--	Screw, M10 x 45 mm 4.6 A3K	4	

Service Transport device kit



Item	Part No.	Name	Qty	L
1	4700394969	Transport device kit	1	
-	--	Transport device	1	
-	--	Strap	1	
-	--	Washer, 13 x 36 x 6 mm, 0.51 x 1.42 x 0.24 in. 300 HV	1	
-	--	Screw, M12 x 25 mm 8.8 A3K	1	
-	--	Screw, M8 x 30 mm 8.8	4	
-	--	Wheel shaft	2	
-	--	Washer	4	
-	--	Wheel	2	
-	--	Split pin	2	
-	--	Washer, 8.4 x 22 x 3 mm, 0.33 x 0.87 x 0.12 in. 300 HV	4	
-	--	Nut, M8 A2K	4	

