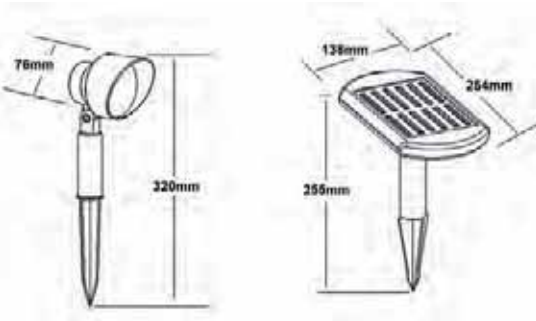


# LED SOLAR LAMP

 Product&Family Code: **078 007 0001**
**MAGIC**


Technical Data	
Voltage & Battery type	3 Ni-MH AA 1.2V 100mAh
Product Wattage (W)	9x0.06
Equivalence with incandescent lamp(W)	5
Colour Render Index (Ra)	>Ra75
Colour Temperature (K)	6400K
Materials	Plastic
Protection Class	III
Dimmable	No
EEI	A to A++
Warm-up time up to 60 %of the full light output	Instant Full Light
Luminous Flux (lm)	9x1.5
Luminous Efficacy (lm/W)	1.5
Rated Life (hrs) ⌚	100.000
IP Rating	44
Beam Angle	120°
Duration time	Min 6 Hrs

## Technical Drawing



## Applications

- Designed Outdoor applications: Gardens

## Features

- High Lumen and CRI, Good quality & Constant Current driver.
- High heat dissipation, low carbon and environmental protection.
- LED Lamp Base.
- Innovative Design of Assembly Structure

