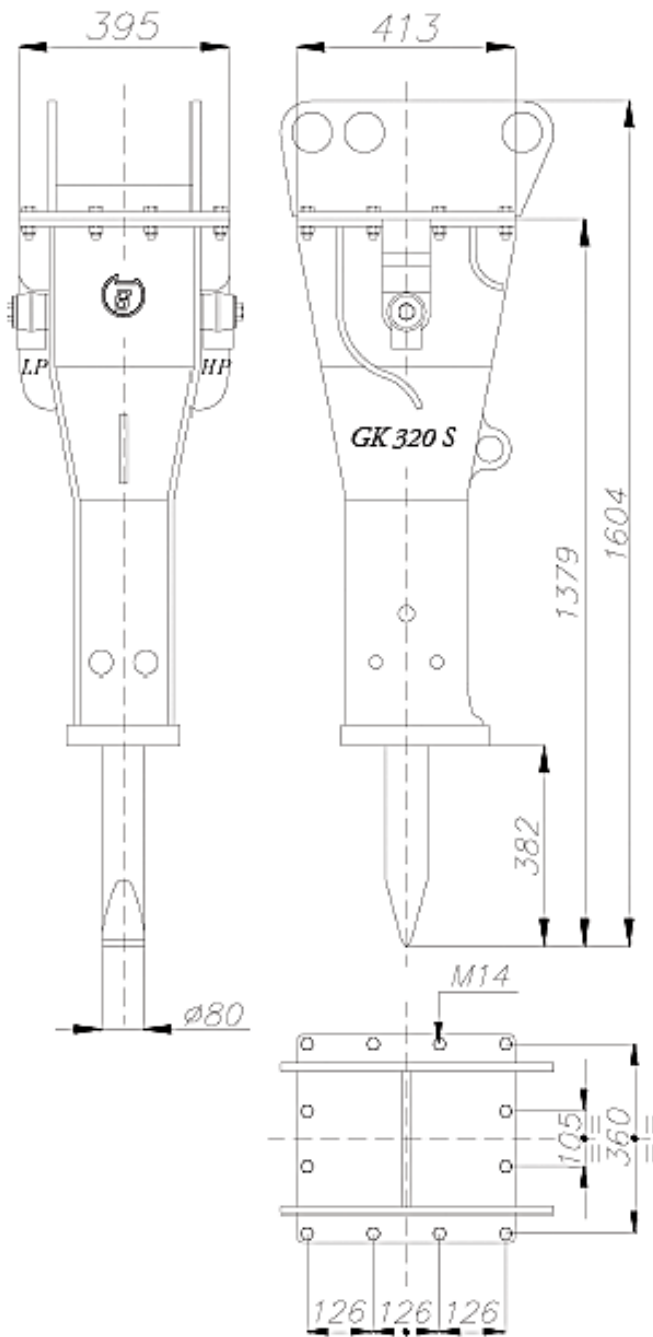


TECHNICAL DRAWING

GK 320 S



WEIGHT AND DIMENSIONS

Operating Weight	330	kg
Height	1610	mm
Width	395	mm
Chisel Diameter	80	mm

FITTING TO CARRIER

Carrier weight	45-90	Ton
Inner Ø HP line	20	mm
Inner Ø HP line	30	mm

At the breaker:

HP thread	¾"	GAS
LP thread	¾"	GAS

POWER DATA

Power of the breaker	16,5	HP
Required power	20	HP
Yield	0.82	
Energy of the blow	750	Joule
Blows per minute	540 – 1000	

SETTINGS

Oil Supply	45-85	L/Min
Working pressure	95 -105	bar
Backpressure	12	bar
Relief valve (carrier)	140	bar
Max. oil temperature	80°	C
Nitrogen Pressure	30	bar
Noise level	90	dB-A