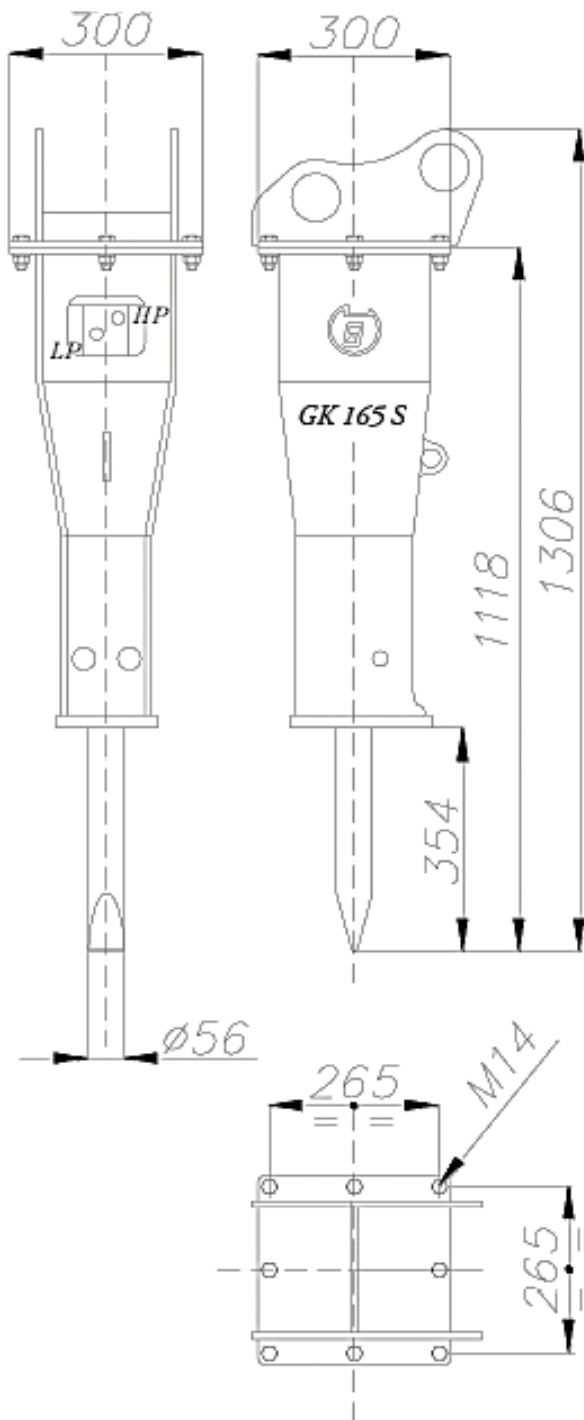


TECHNICAL DRAWING

GK 165 S



WEIGHT AND DIMENSIONS

| | |
|------------------|---------|
| Operating Weight | 155 kg |
| Height | 1320 mm |
| Width | 300 mm |
| Chisel Diameter | 56 mm |

FITTING TO CARRIER

| | |
|-----------------|-----------|
| Carrier weight | 20-45 Ton |
| Inner Ø HP line | 16 mm |
| Inner Ø LP line | 20 mm |

At the breaker:

| | |
|-----------|--------|
| HP thread | ½" NPT |
| LP thread | ¾" GAS |

POWER DATA

| | |
|----------------------|------------|
| Power of the breaker | 8 HP |
| Required power | 9.5 HP |
| Yield | 0.85 |
| Energy of the blow | 350 Joule |
| Blows per minute | 670 – 1050 |

SETTINGS

| | |
|------------------------|-------------|
| Oil Supply | 25-40 L/Min |
| Working pressure | 95 -105 bar |
| Backpressure | 12 bar |
| Relief valve (carrier) | 140 bar |
| Max. oil temperature | 80° C |
| Nitrogen Pressure | 35 bar |
| Noise level | 90 dB-A |