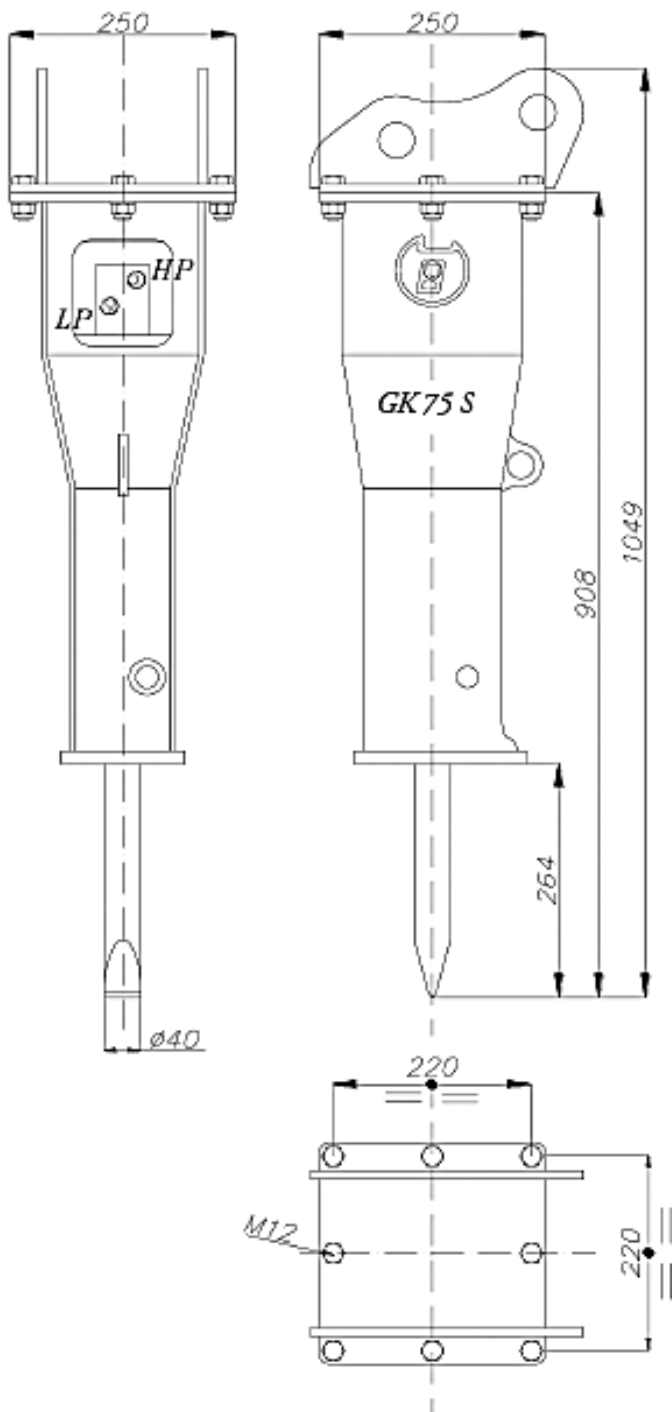


TECHNICAL DRAWING

GK 75 S



WEIGHT AND DIMENSIONS

| | |
|------------------|---------|
| Operating Weight | 75 kg |
| Height | 1048 mm |
| Width | 250 mm |
| Chisel Diameter | 40 mm |

FITTING TO CARRIER

| | | |
|-----------------|------|-----|
| Carrier weight | 5-20 | Ton |
| Inner Ø HP line | 16 | mm |
| Inner Ø LP line | 20 | mm |

At the breaker:

| | | |
|-----------|----|-----|
| HP thread | ½" | NPT |
| LP thread | ½" | NPT |

POWER DATA

| | | |
|----------------------|------------|-------|
| Power of the breaker | 5 | HP |
| Required power | 6 | HP |
| Yield | 0.83 | |
| Energy of the blow | 160 | Joule |
| Blows per minute | 750 – 1430 | |

SETTINGS

| | | |
|------------------------|---------|-------|
| Oil Supply | 13-25 | L/Min |
| Working pressure | 95 -105 | bar |
| Backpressure | 12 | bar |
| Relief valve (carrier) | 140 | bar |
| Max. oil temperature | 80° | C |
| Nitrogen Pressure | 35 | bar |
| Noise level | 93 | dB-A |