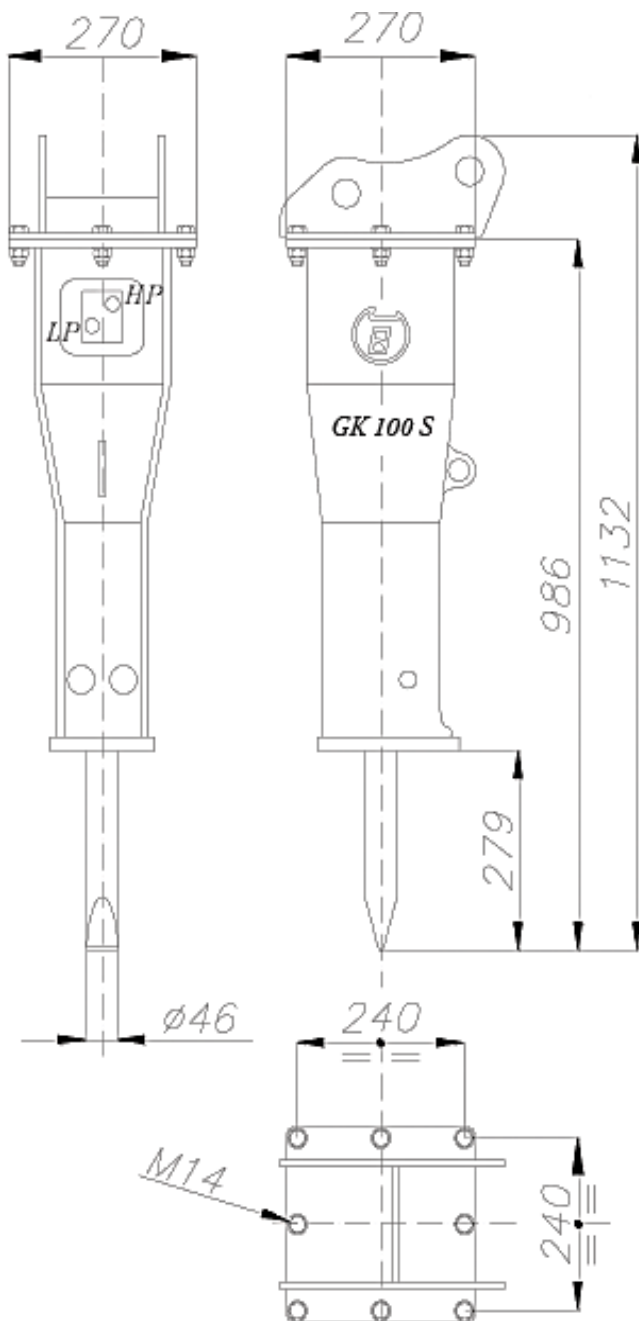


# TECHNICAL DRAWING

## GK 100 S



### WEIGHT AND DIMENSIONS

Operating Weight	105	kg
Height	1145	mm
Width	270	mm
Chisel Diameter	46	mm

### FITTING TO CARRIER

Carrier weight	10-30	Ton
Inner Ø HP line	16	mm
Inner Ø LP line	20	mm

### At the breaker:

HP thread	½"	NPT
LP thread	½"	NPT

### POWER DATA

Power of the breaker	6	HP
Required power	7	HP
Yield	0.85	
Energy of the blow	200	Joule
Blows per minute	700 – 1350	

### SETTINGS

Oil Supply	15-30	L/Min
Working pressure	95 -105	bar
Backpressure	12	bar
Relief valve (carrier)	140	bar
Max. oil temperature	80°	C
Nitrogen Pressure	35	bar
Noise level	110	dB-A