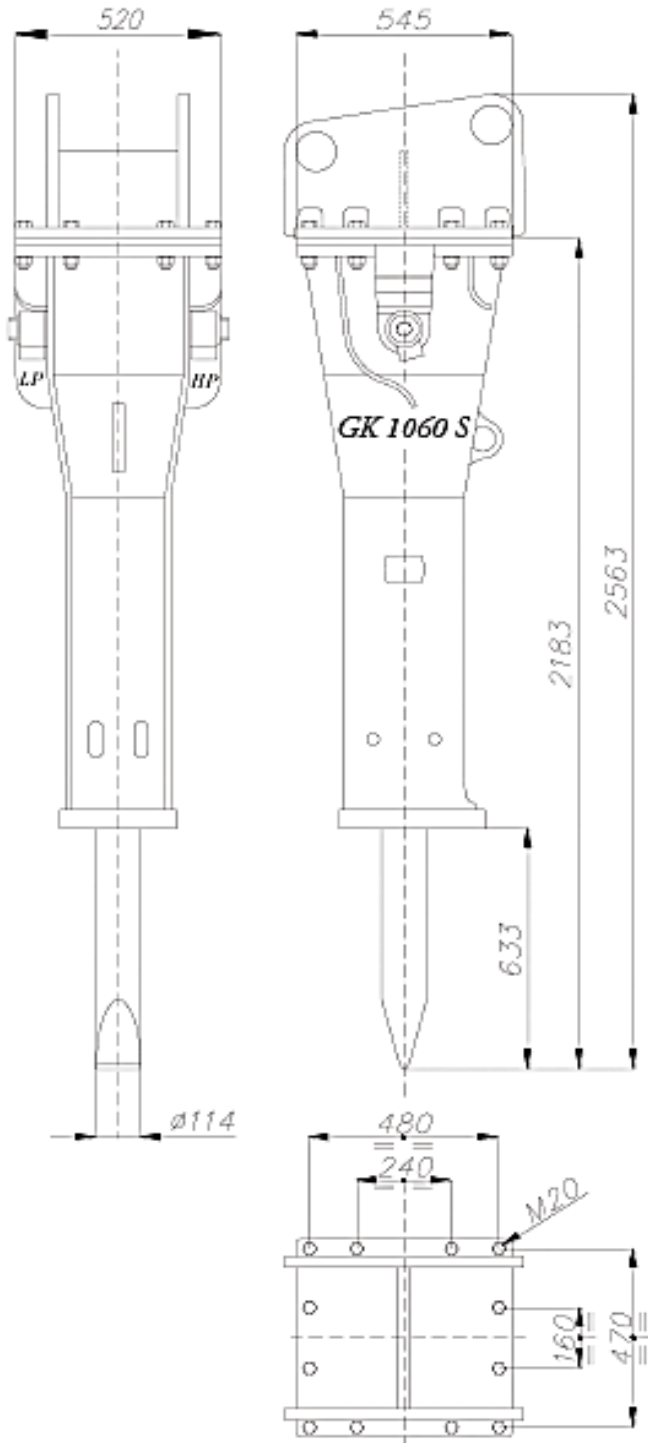


# TECHNICAL DRAWING

## GK 1060 S



### WEIGHT AND DIMENSIONS

Operating Weight	1050 kg
Height	2550 mm
Width	520 mm
Chisel Diameter	114 mm

### FITTING TO CARRIER

Carrier weight	130 -200 Ton
Inner Ø HP line	20 mm
Inner Ø LP line	36 mm

### At the breaker:

HP thread	1" GAS
LP thread	1" ¼ GAS

### POWER DATA

Power of the breaker	28 HP
Required power	38 HP
Yield	0.75
Energy of the blow	2300 Joule
Blows per minute	500 – 600

### SETTINGS

Oil Supply	130 -150 L/Min
Working pressure	110 -120 bar
Backpressure	6 bar
Relief valve (carrier)	170 bar
Max. oil temperature	80° C
Nitrogen Pressure	35 bar
Noise level	88 dB-A