



inox pro valves



TECHNICAL SHEET 03/2017 | IP14010

SCOPE

INOX PRO series are manually operated stainless steel ball valves. By its design and raw materials are intended to be used in:

- Drinking water networks.
- Industrial networks.
- Plumbing networks.
- Hot water networks.
- Heating systems.
- Compressed air networks.
- Pneumatic applications.
- Hydraulic applications.

In general all those applications where it is required a valve to stop the fluid supply, assuring the leaktightness in accordance to the working conditions.

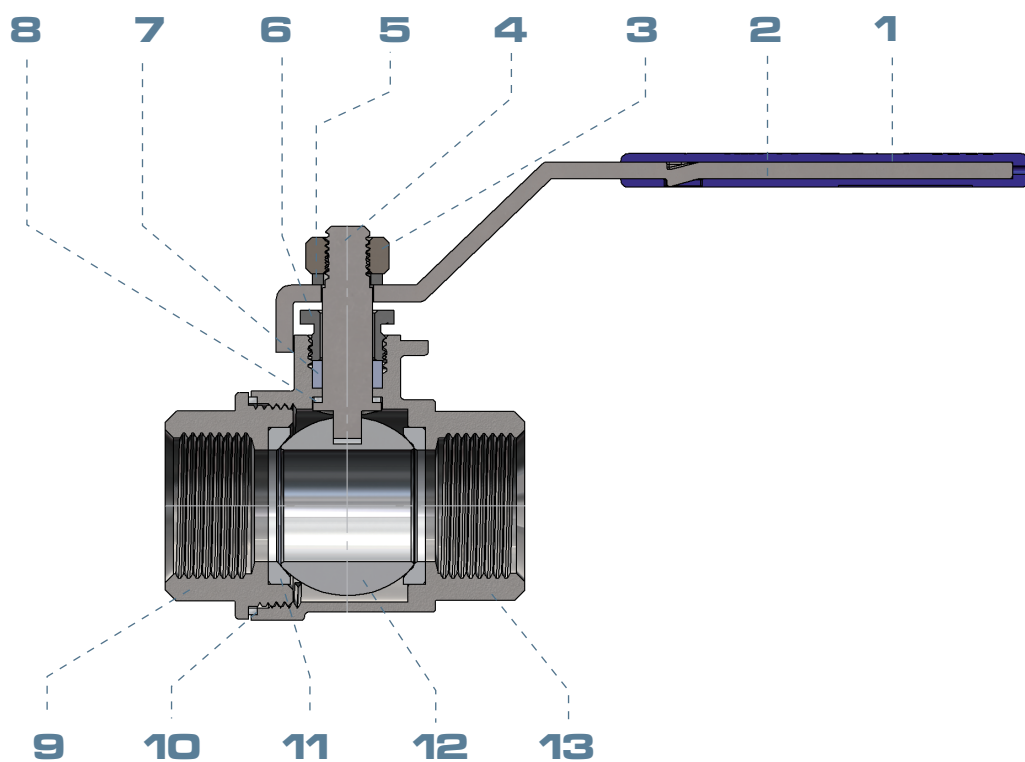
SERVICE CONDITIONS

| | |
|--------------------|---|
| Nominal pressure: | 63 bar |
| Temperature range: | -25°C up to 180°C excluding frozen |
| Fluid: | Drinking water, hot water and compressed air |



COMPONENTS

| Item | Component | Material | Treatment |
|------|-------------------|-------------------------|-----------|
| 1 | Cover | Polyethylene | |
| 2 | Handle | Stainless steel AISI304 | |
| 3 | Handle nut | Stainless steel AISI316 | |
| 4 | Stem | Stainless steel AISI316 | |
| 5 | Washer | PTFE | |
| 6 | Sealing gland nut | Stainless steel AISI304 | |
| 7 | Sealing gland nut | PTFE | |
| 8 | Washer | Stainless steel AISI316 | |
| 9 | Lateral | Stainless steel AISI316 | |
| 10 | Lateral washer | PTFE | |
| 11 | Seat | PTFE | |
| 12 | Ball | Stainless steel AISI316 | Polished |
| 13 | Body | Stainless steel AISI316 | |





MAIN CONSTRUCTIVE FEATURES

Body and lateral

Main body and lateral manufactured in stainless steel AISI 316.

Seats and sealing gland

Seats and sealing gland are made in PTFE, avoiding internal and external leaktighness due to its perfect fit on metallic surfaces.

Spherical closure

Spherical closure is made in stainless steel, ensuring a high endurance to corrosion.

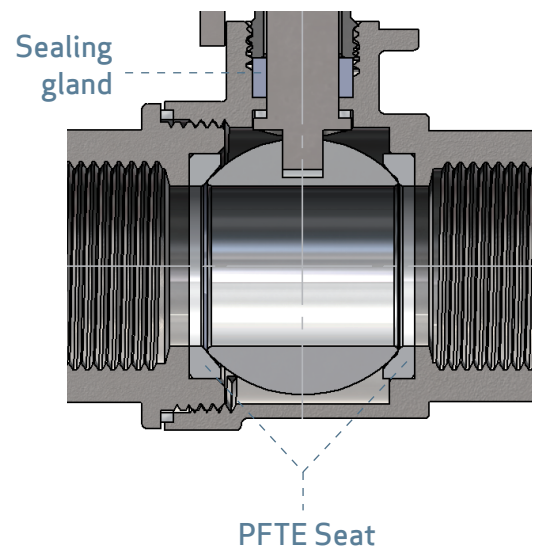


Internal leaktighness (Close position)

Internal leaktighness is assured in both directions by the PTFE seat that press against the spherical closure.

External leaktighness (Open position)

External leaktighness through the stem is assured by a PTFE sealing gland allowing its retightening if necessary.

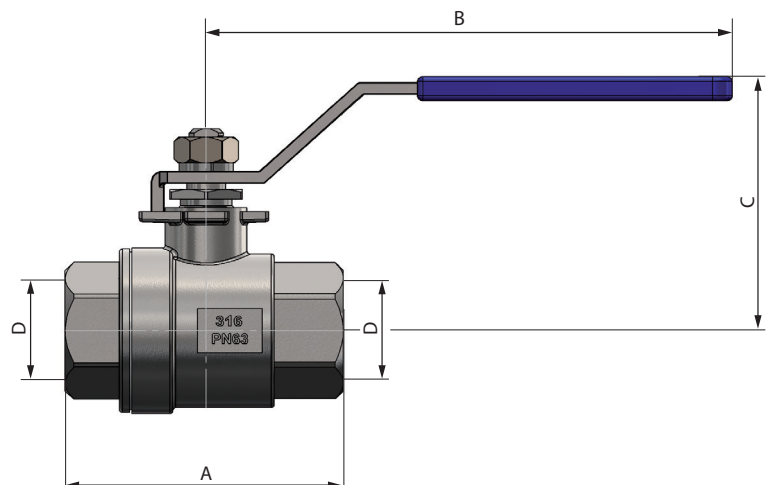


DIMENSIONS

Female - female. Lever handle

| Size | A | B | C | D |
|-------|----|-----|----|------|
| 1/2FF | 57 | 97 | 54 | G1/2 |
| 3/4FF | 65 | 119 | 65 | G3/4 |
| 1 FF | 78 | 119 | 69 | G1 |

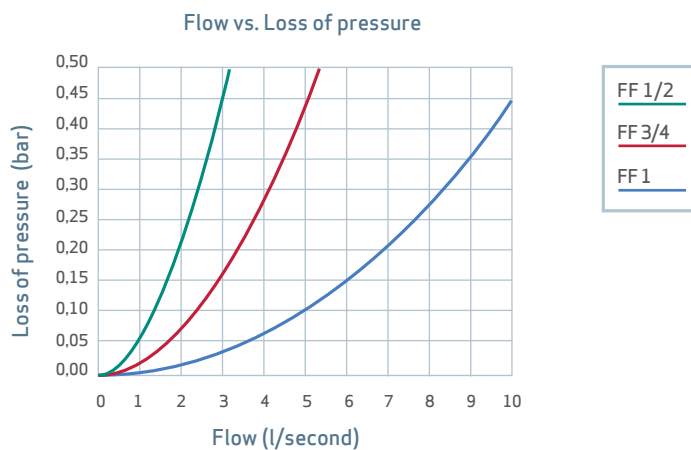
G Thread ISO 228





HYDRAULIC FEATURES

INOX PRO series have been tested in our laboratory, hydraulic features obtained according to European Standard EN 1267



INSTALATION AND ASSEMBLY

Instalation

Hold the valve form faces of the hexagons, never from the central part or its neck, that will avoid internal components deformations (in other case valve could be damaged inevitably).

The maximum valve life is obtained with the closure sphere in the full open or close position, it is recommended do not work in intermediate positions for long time periods.

Valve must be maneuver every 3 months, this frequencies must be increased for waters with a French hardness over 50°.

