

PH Holders FAB*



NOGA
simply sophisticated

*Fine Adjustment Base



PH4016



PH2040



PH3100

Post Holder

FAB*

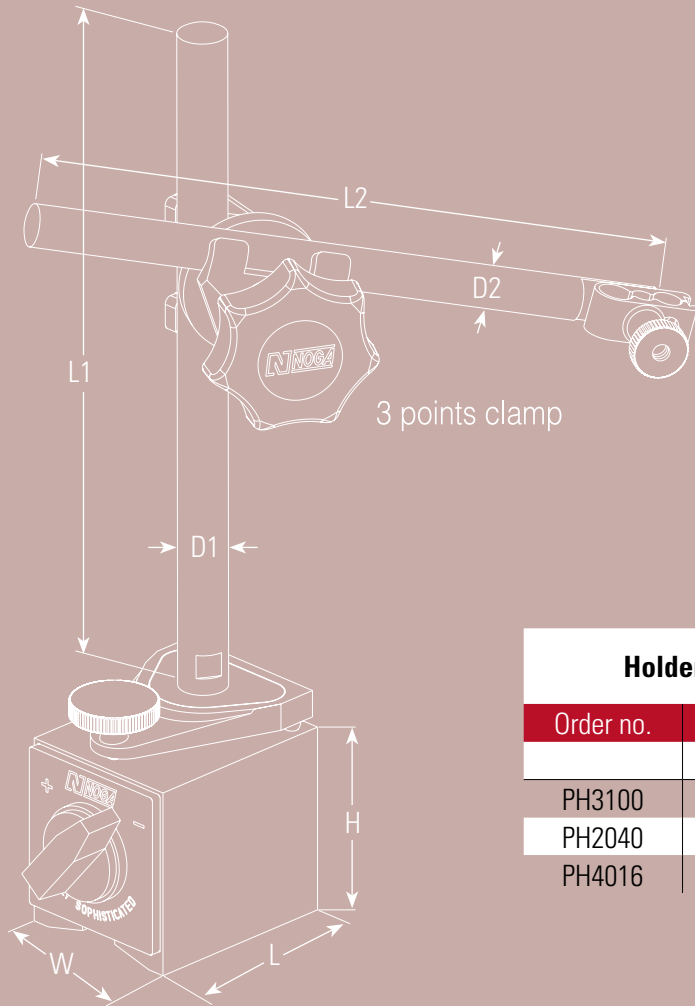
NOGA economical holders with fine adjustment at base

PH holders with NOGA unique fine adjustment at base.

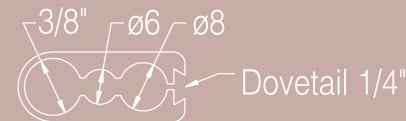
- Single direction fine adjustment at base.
- Powerful on/off magnetic base.
- Universal swivel clamp for all dial and test indicators.
- Holds 6mm, 8mm, 3/8" and dovetail.
- Strong arm lock by using 3 points clamp.
- Easy to set up gauges into required position.
- Black finished arms.



*Fine Adjustment Base



Universal swivel clamp



Holder		Arm length and diameter		Magnet			3 points clamp	Universal swivel clamp	
Order no.	Weight	Post	Arm	Force	Dimension			Order no.	Order no.
	[Kg]	Dia. (D1) x length (L1)	Dia. (D2) x length (L2)	[N]	W	L	H		
PH3100	0.500	Ø10 x 120	Ø8 x 110	320	30	40	35	PH0315	FA1210
PH2040	1.700	Ø14 x 203	Ø12 x 185	800	50	60	55	PH0310	FA1410
PH4016	2.450	Ø16 x 260	Ø16 x 225	1000	50	75	55	PH0312	FA1410

All measurements are in mm unless otherwise mentioned