

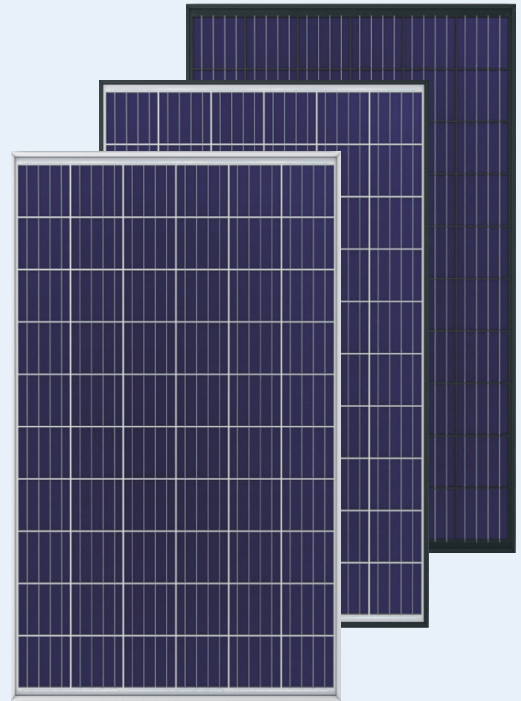


PERLIGHT

Powering Possibilities

## PLM-260P-60 SERIES PLM-260PB-60 SERIES

Polycrystalline Silicon Solar Module



## PERLIGHT SOLAR

Founded in 2006, Perlight is a Global Solar Energy provider with a presence in more than 80 countries around the world. More than 1.5GW of Perlight modules have been used in residential, commercial and off-grid systems around the world.

Perlight's success has been built on proven product performance and reliability, state of the art technology and long term partnerships with key customers.

17.4% -19.2%

CELL EFFICIENCY

12 YEARS

PRODUCT WARRANTY

0 -3%

POWER TOLERANCE

### POWER WARRANTY

 80% Power Output Warranty

 90% Power Output Warranty

 Material & Workmanship Warranty



### Performance

High output and efficiency even under low light conditions



### Versatility

Salt mist corrosion tested, perfect for harsh climatic conditions



### Reliability

Durable and reliable solar panels due to stringent quality control measures, testing and strict selection of raw materials and components. PID free (TUV certified)



### Design and Innovation

Perlight is committed to innovation and constantly working to provide the next breakthrough in solar technology: the new All Black panel is an example of this commitment.

# POLYCRYSTALLINE, 60-CELL SERIES

## ELECTRICAL PERFORMANCE

Module type	PLM-260P-60 / PLM-260PB-60								
Power output	$P_{max}$	W	250	255	260	265	270	275	280
Power output tolerances	$\Delta P_{max}$	%	0 - 3						
Voltage at Pmax	$V_{mpp}$	V	29.95	30.29	30.63	30.96	31.22	31.54	31.86
Current at Pmax	$I_{mpp}$	A	8.35	8.42	8.49	8.56	8.65	8.72	8.79
Open-circuit voltage	$V_{oc}$	V	37.63	37.83	37.97	38.13	38.23	38.49	38.81
Short-circuit current	$I_{sc}$	A	8.90	8.97	9.05	9.10	9.13	9.16	9.21
Module Efficiency	Eff.	%	15.37	15.68	15.99	16.29	16.60	16.91	17.22

STC: 1000W/m<sup>2</sup> irradiance, 25°C cell temperature, AM 1.5g spectrum according to EN 60904-3.

## THERMAL CHARACTERISTICS

Nominal operating cell temperature	NOCT	°C	45±2
Temperature coefficient of Pmax	$\nu$	%/°C	-0.45
Temperature coefficient of Voc	$\beta_{voc}$	%/°C	-0.34
Temperature coefficient of Isc	$\alpha_{isc}$	%/°C	0.06
Temperature coefficient of Vmpp	$\beta_{vmpp}$	%/°C	-0.40

## OPERATING CONDITIONS

Max. system voltage	1000V <sub>DC</sub>
Limiting reverse current	15A
Operating temperature range	-40°C to 85°C
Max. static load front (e.g., snow)	5400Pa
Max. static load back (e.g., wind)	2400Pa
Max. hailstone impact (diameter / velocity)	25mm / 23m/s

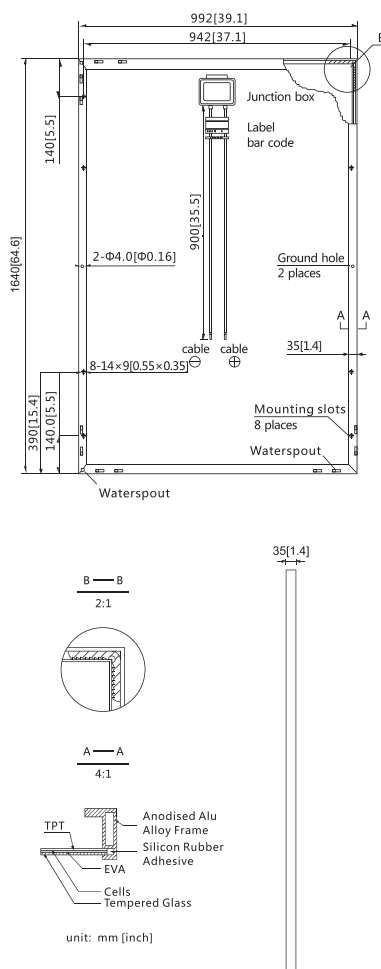
## MECHANICAL CHARACTERISTICS

Front cover (material / thickness)	low-iron tempered glass / 3.2mm
Backsheet (color)	white / black
Cell (quantity / material / dimensions)	60 / polycrystalline silicon / 156 x 156mm
Frame (material / color)	anodized aluminum alloy / silver / black
Junction box (protection degree)	≥IP65
Cables & Plug connectors	900mm / 4mm <sup>2</sup> & MC4 compatible / IP67
Module Dimensions (L / W / H)	1640mm x 992mm x 35mm
Module Weight	17.6kg

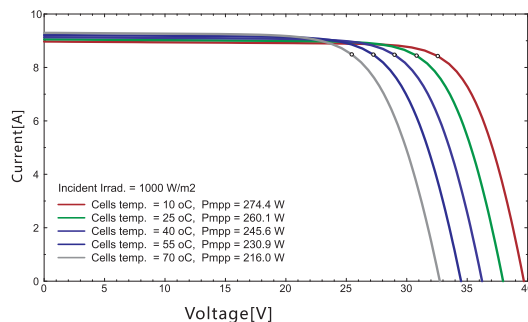
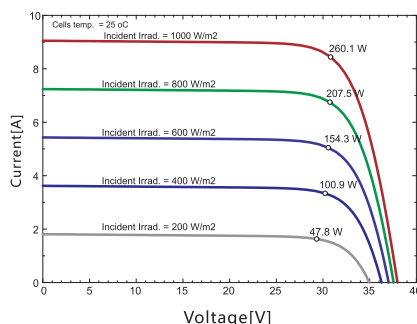
## PACKING DETAILS

Container	20'GP	40'HQ
Pieces per pallet	60	66
Pallets per container	6	14
Pieces per container	360	924

## Module Diagram:



## Electrical Curves:



**PERLIGHT**  
Powering Possibilities

Perlight Partners

## QUALIFICATIONS & CERTIFICATIONS

IEC 61215, IEC 61730, CE, IEC 62804 (PID Free), UL 1703, J-PEC, PV CYCLE, IEC/EN 61701, IEC 62716

