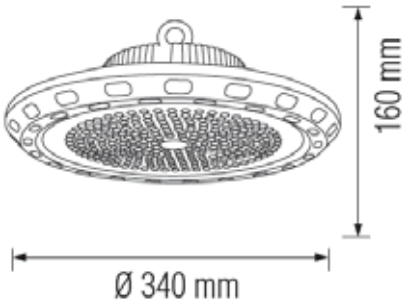


LED HIGH BAY LAMP

 Product&Family Code: **063 003 0150**
ARTEMIS-150

Technical Drawing


Technical Data	
Voltage (V)	100-250V
Product Wattage (W)	150
Equivalence with incandescent lamp(W)	1200
Colour Render Index (Ra)	>Ra80
Colour Temperature (K)	4200K
Materials	Aluminium Body
Protection Class	I
Dimmable	No
EEL	A to A++
Warm-up time up to 60 %of the full light output	Instant Full Light
Luminous Flux (lm)	15.000
Luminous Efficacy (lm/W)	100
Rated Life (hrs) ⌚	30.000
IP Rating	65
Power Factor	>0.9
Beam Angle	90°
Starting Time	<0.2s
Number of ON-OFF cycling	x15.000

Applications

- Warehouse, indoor and outdoor lighting areas.



Features

- High Lumen and CRI, Good quality & Constant Current driver.
- High heat dissipation, low carbon and environmental protection.
- SMD LED Lamp Base.
- Very low energy consumption.

