

# PIR SENSOR

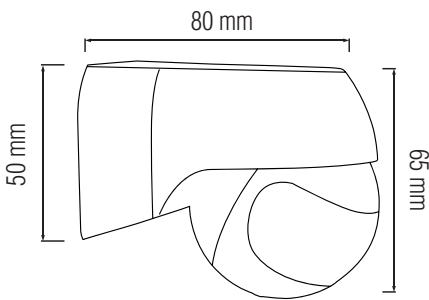
Product&amp;Family Code: 088 001 0009

**TUCSON**


180°

Technical Data	
Voltage	AC 220-240V / 50-60Hz
Detection Distance	12 m Max. (<24°C)
Time-delay	Min.10sec ± 3sec, Max.15min ± 2min
Ambient Light	<3 ~ 2000Lux (adjustable)
Average Load	Max 800W ( Incandescent ) 300W (ESL)
Protection Class	II
IP Rating	44
Detection Motion Speed	0,6-1,5 m/s
Material	Plastic
CE Approved	Yes
Installation Height	1.8 - 2.5m

## Technical Drawing



## Applications

- For use outdoors (IP44 Rated) or indoors

## Features

- A passive infrared sensor (PIR sensor) is an electronic sensor that measures infrared (IR) light radiating from objects in its field of view.
- The wide detection range senses an up, down, left and right field of motion.
- It works by seeing human body heat in motion via infrared rays.

