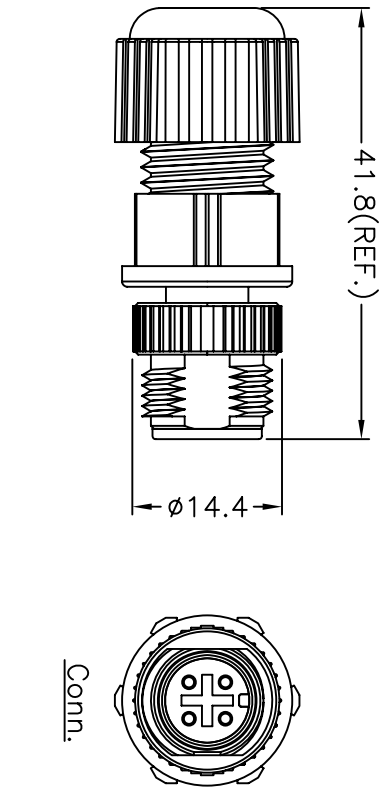
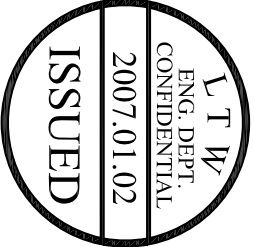
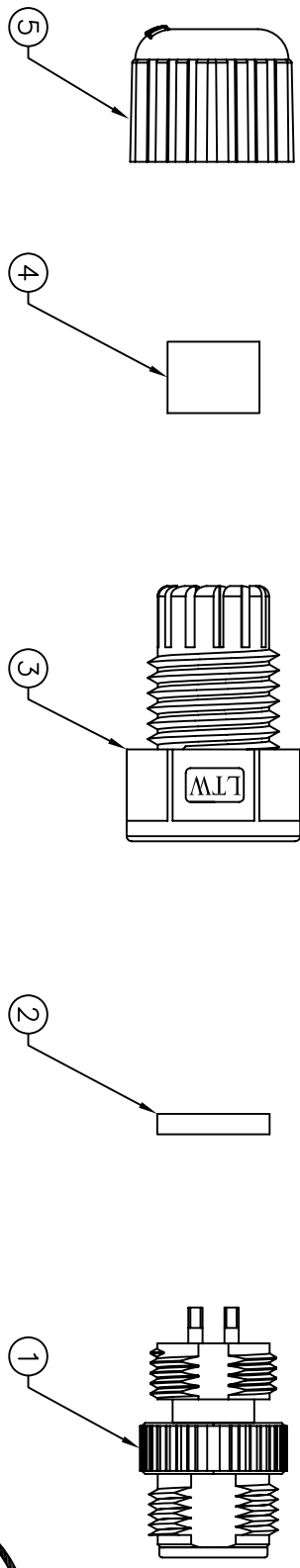


REV.	EON NO.	DATE	SIGN	DESCRIPTION



Pin Assignments  
Front View

- Note:
- \* @Important Dimension To Check.
  - \* Waterproof Rate: IP68
  - \* Housing: Black, Nylon+GF
  - \* Pin: Copper Alloy, Gold Plated
  - \* Nut: Zinc Alloy, Nickel Plated
  - \* Gasket: Black, EPDM
  - \* Clamp Ring: Black, Nylon
  - \* Sealing Nut: Black, Nylon
  - \* Seal: Black, EPDM
  - \* Seal For Cable OD:  $\phi$ 4.5mm~ $\phi$ 6.5mm

UNIT:mm		TITLE	M12 Conn	ITEM NO	LTW12-04BMMA-SL8001	DRAWN BY	Jason Manas	DATE	2006/12/21	
TOLERANCE	$\pm 0.5$ mm	Assy Screw 4Pin M Conn M Pin	SCALE	Free	DWG NO	LTW12-04BMMA-SL8001	CHECKED BY	Aion MJ Sundo	DATE	2006/12/21
REV.	A	SIZE	A4	SHEET	1 OF 1	CUSTOMER	Max Hung	DATE	2006/12/21	
			@@: Inspection Item							

**LTW**  
亮泰企業股份有限公司