

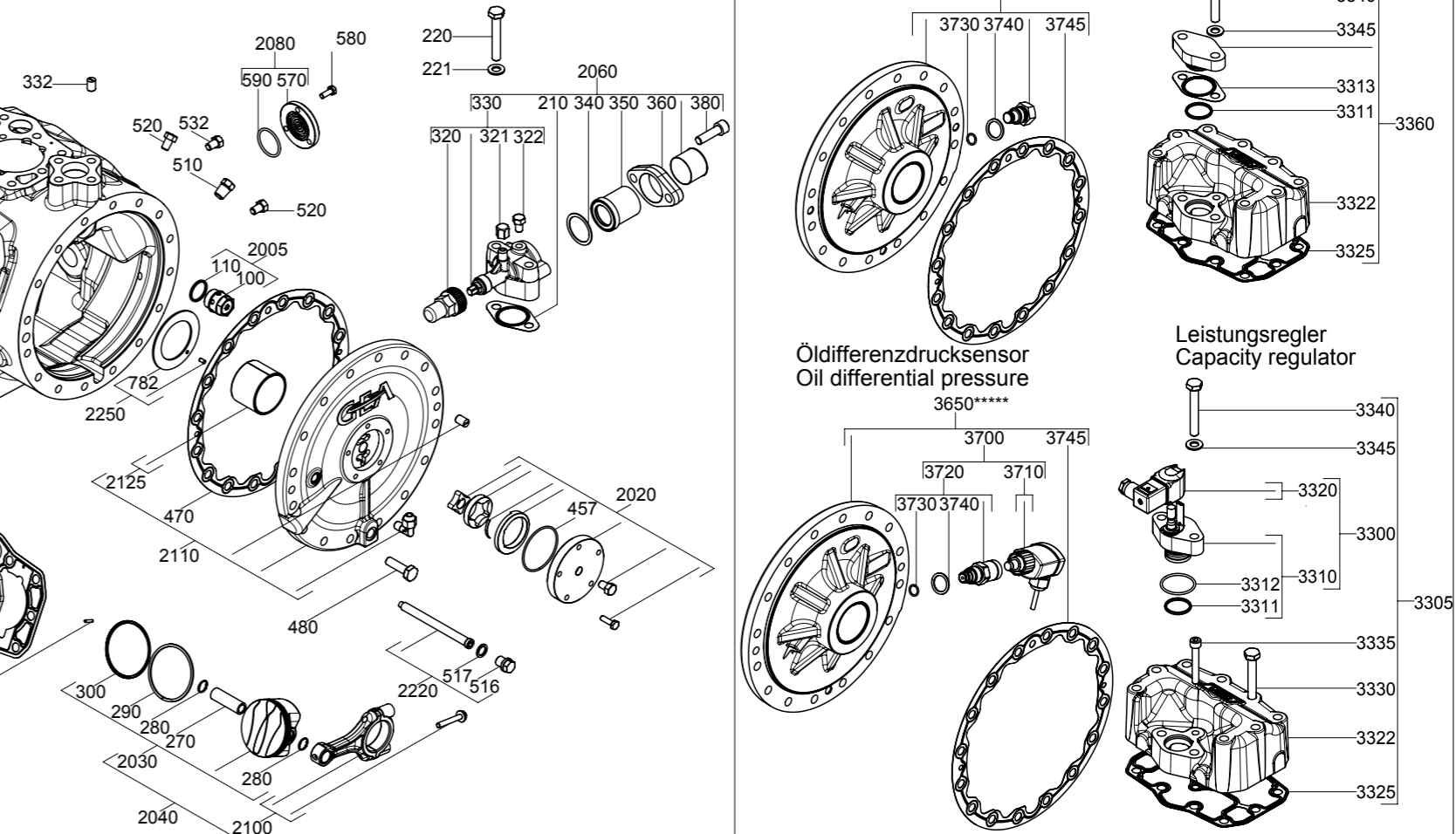
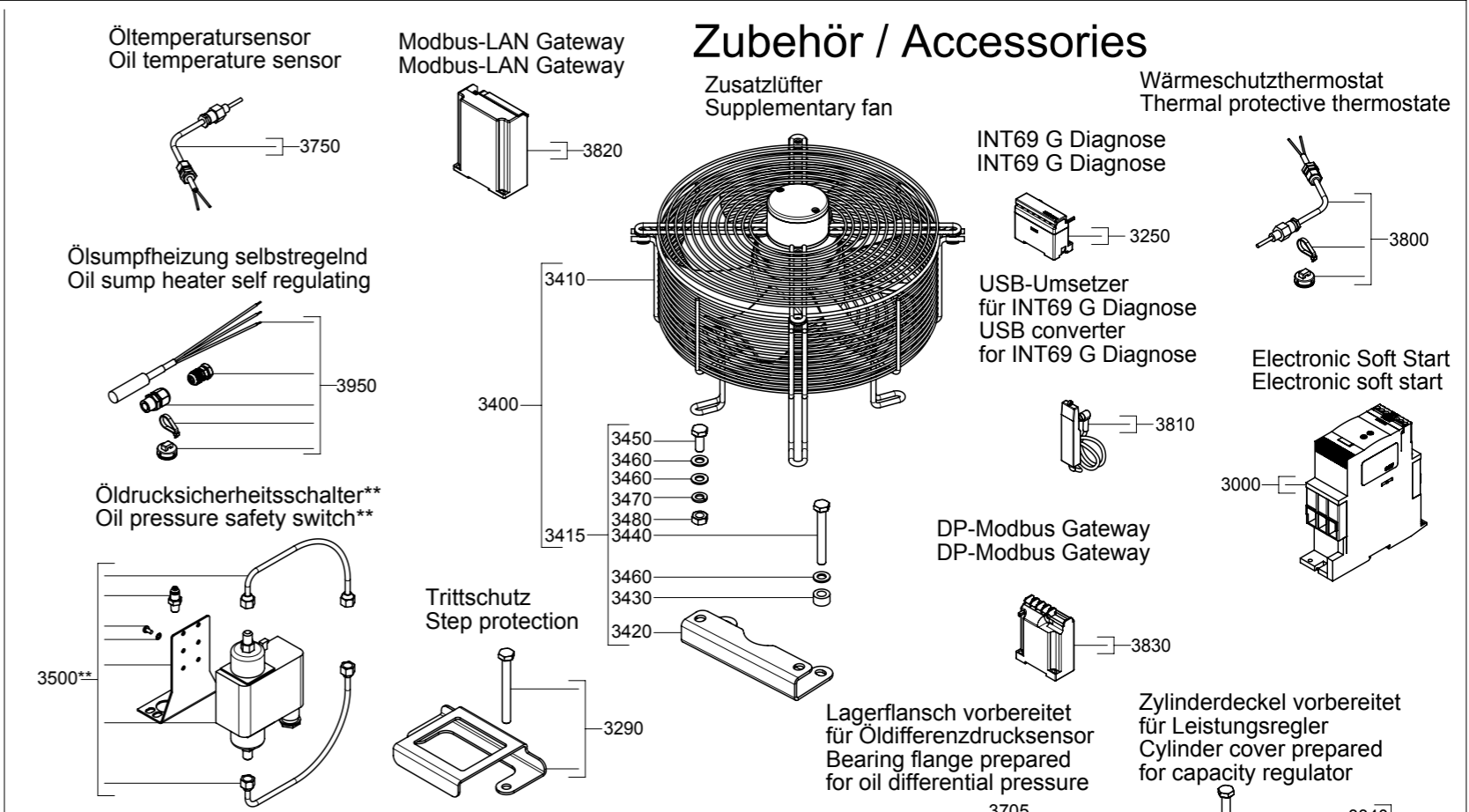
\*) Nur für HG(X)56e/850-4 (S) + 1155-4 (S) + HC  
Only for HG(X)56e/850-4 (S) + 1155-4 (S) + HC

\*\*) Entfällt bei HG56e HC  
Not applicable for HG56e HC

\*\*\*) Entfällt bei HG56e/1155-4 S + HC  
Not applicable for HG56e/1155-4 S + HC

\*\*\*\*) Nur für HG(X)56e/850-4 + HC  
Only for HG(X)56e/850-4 + HC

\*\*\*\*\*) Nachrüstung Öldifferenzdrucksensor nur in Kombination mit dazugehörigem Lagerflansch möglich.  
Retrofit oil differential pressure only in combination with corresponding bearing flange possible.



**Halbhermetischer Verdichter HG / Semi-hermetic compressor HG**

Typ / type	Teile-Nr. / part-no.	Typ / type	Teile-Nr. / part-no.	Typ / type	Teile-Nr. / part-no.	Typ / type	Teile-Nr. / part-no.	Typ / type	Teile-Nr. / part-no.	Typ / type	Teile-Nr. / part-no.
HG56e/850-4	14932	HGX56e/850-4	14938	HG56e/850-4 S	14935	HGX56e/850-4 S	14941	HG56e/850-4 HC	10994	HG56e/850-4 S HC	10997
HG56e/995-4	14933	HGX56e/995-4	14939	HG56e/995-4 S	14936	HGX56e/995-4 S	14942	HG56e/995-4 HC	10995	HG56e/995-4 S HC	10998
HG56e/1155-4	14934	HGX56e/1155-4	14940	HG56e/1155-4 S	14937	HGX56e/1155-4 S	14943	HG56e/1155-4 HC	10996	HG56e/1155-4 S HC	10999

Zeichn.-Nr. / Drawing no. :  
**1.0850-14937.0 0b**  
Stand / As of date: 08.17



## Список запчастей к HGX56e/850-4

Позиция	Арт.№	Описание	Количество
50	51025	GASKET-LOWER VALVE PLATE ø60	3 ST
60	51049	VALVE PLATE CPL. ø55/60	3 ST
70	51023	GASKET-UPPER VALVE PLATE	3 ST
71	50344	CYLINDER PIN 3M6x14	3 ST
100	07940	DECOMPRESSION VALVE M24X1,5	1 ST
110	05791	SEAL RING 27,8x24,2x2	1 ST
170	51588	CYLINDER COVER STANDARD,CPL.	3 ST
180	51352	HEX.HEAD SCREW M10X95	24 ST
185	50019	HEX.HEAD SCREW M10X55	6 ST
186	60050	CYLINDER HEAD SCREW M8X55	3 ST
210	50636	GASKET-VALVE FLANGE	1 ST
220	06034	HEX.HEAD SCREW M10X65	2 ST
221	05646	DISC A10,5	2 ST
270	07212	PISTON PIN ø15X10X46	6 ST
280	05551	CIRCLIP 15X1 DIN 472	12 ST
290	50508	TAPERED COMPR.RING PISTON 60	6 ST
300	51273	PLAIN COMPR.RING PIS.60 CHR	6 ST
320	05784	CAP NUT M22X1,5	1 ST
321	51714	CAP NUT 7/16"UNF	1 ST
322	05514	LOCKING SCREW 1/8"NPTF	1 ST
330	07128	SHUT-OFF VALVE (AL)	1 ST
332	50233	THREADED PIN M10X14	2 ST
340	05067	GASKET RING 42X34X1	1 ST
350	05313	SOLDERED BUSH ø35	1 ST
360	04329	FLANGE OVAL 16MM	1 ST
380	50287	CYLINDER HEAD SCREW M10X35	2 ST
457	51043	O-RING ø56X2	1 ST
470	51022	GASKET-BEARING FL.+MOTOR COVER	1 ST
480	05447	HEX.HEAD SCREW M10X35	16 ST
505	50044	PLUG M16X1,5	1 ST
510	05801	LOCKING SCREW 1/4"NPTF	1 ST
516	51492	LOCKING SCREW M12x1,5	1 ST
517	51497	SEAL RING 17x12x1,5	1 ST
520	05514	LOCKING SCREW 1/8"NPTF	2 ST
532	05514	LOCKING SCREW 1/8"NPTF	1 ST
570	06082	SIGHT GLASS ø60	1 ST

580	05402	HEX.HEAD SCREW M6X16	3 ST
590	06218	O-RING ø32,99x2,62	1 ST
600	06236	RING SCREW M12	1 ST
625	07803	NON-RETURN VALVE ø12 CPL.	1 ST
720	51019	MOTOR COVER,WITH BUSH	1 ST
721	51022	GASKET-BEARING FL.+MOTOR COVER	1 ST
740	05455	HEX.HEAD SCREW M10X110	14 ST
745	06882	HEX.HEAD SCREW M10X170	1 ST
782	51475	THRUST WASHER ø78Xø52X2	1 ST
790	06654	FEATHER KEY A12X8X50 DIN 6885	1 ST
800	51507	SAFETY SHEET	1 ST
810	50697	GROOVE NUT M40x1,5	1 ST
1060	06559	GASKET-TERMINAL BOARD	1 ST
1100	60041	HEX.HEAD SCREW M6X10 - A2	1 ST
1120	06043	LOCK WASHER S M6	12 ST
1121	05193	LOCK WASHER S M6 - A2	1 ST
1160	06626	HEX.HEAD SCREW M6X10	6 ST
1177	51502	SPACER SLEEVE 15KW FOR HG(X)56e/850-4	1 ST
	51503	SPACER SLEEVE 18,5KW FOR HG(X)56e/850-4 S	1 ST
1178	51057	SPACER SLEEVE 15KW FOR HG(X)56e/850-4	1 ST
1179	51638	FEATHER KEY A5,12X5,12X70	1 ST
1190	50685	FILTER SUCTION	1 ST
1210	05111	GASKET RING 81,5X60X1	1 ST
1211	06061	HEX.HEAD SCREW M6X12 - A2	4 ST
1220	06155	HEX.HEAD SCREW M16X100	4 ST
1240	05798	SOLDERED BUSH ø54	1 ST
1242	05785	SQUARE FLANGE (NS50)	1 ST
1244	05415	HEX.HEAD SCREW M16X50	4 ST
1250	05797	CAP NUT M36X1,5	1 ST
1251	05528 05545 05800	UNION NUT 7/16"UNF SEALING CAP 7/16"UNF SCREW-IN FITTING DIN 8906	1 ST 1 ST 1 ST
1260	05112	GASKET RING 75X61X1,0	1 ST
1520	80939	SET-FIXING PARTS INDIVIDUALLY ADDED	1 ST
1999		----- ASSEMBLY KITS -----	1 ST
2000	80965	SET-VALVE PLATE	3 ST
2005	08459	SET-DECOMPRES.VALVE M24X1,5	1 ST
2020	80950	SET-OIL PUMP	1 ST

2030	80943	SET-PISTON ø60 (CONT.+OPTIM.)	6 ST
2040	81187	SET-PISTON-CONN.W.2 RINGS/60	6 ST
2050	80952	SET-CRANKSHAFT 50 STROKE	1 ST
2060	08082	SET-SHUT-OFF VALVE NS32 (AL)	1 ST
2070	08087	SET-SHUT-OFF VALVE NS50	1 ST
2080	80093	SET-SIGHT GLASS ø60	1 ST
2090	81599	SET-GASKETS NOT SHOWN	1 ST
2100	81320	SET-CONNECTING ROD	6 ST
2110	81381	SET-REAR BEARING FLANGE SPARE PART FOR MACHINES WITHOUT OIL PRESSURE SENS.D-P	1 ST
	81383	SET-REAR BEA.FL.PRE-MA.F.D-P SPARE PART FOR MACHINES WITH D-P FROM FACTORY OR RE-FITTING	1 ST
2120	81368	SET-BEARING BUSH HH44e+HG56e	1 ST
2122	81369	SET-BEARING BUSH HG56e	1 ST
2125	81368	SET-BEARING BUSH HH44e+HG56e	1 ST
2130	81393	SET-MOTOR 15KW S/SS [PW50:50] FOR HG(X)56e/850-4	1 ST
	81394	SET-MOTOR 18,5KW S/SS[PW50:50] FOR HG(X)56e/850-4 S	1 ST
2150	08949	SET-TERMINAL BOARD	1 ST
2160	81397	SET-TERMINAL BOX / PA,BLUE	1 ST
2190	81042	SET-INT69 G MOTOR PROT.230V AC	1 ST
	81137	SET-INT69 G MOTOR PROT.24V DC SPECIAL VERSION	1 ST
2220	81384	SET-OIL STRAINER	1 ST
2250	81343	SET-THRUST WASHER	1 ST
2280	81735	SET-THREADED PIN	1 ST
2999		----- ACCESSORIES -----	1 ST
3000	80465	SET-START UNL. BOCK-ESS 63	1 ST
3250	81043	SET-INT69 G DIAGNOSE 230V AC	1 ST
3290	81449	SET-STEP PROTECTION	1 ST
3300	81372	SET-CR14 230V AC	1 ST
	81373	SET-CR14 110V AC SPECIAL VERSION	1 ST
	81374	SET-CR14 24V DC SPECIAL VERSION	1 ST
	81375	SET-CR14 12V DC SPECIAL VERSION	1 ST
3305	81386	SET-CAP.REG.CR14 230V AC WITH CYLINDER COVER	1 ST
	81387	SET-CAP.REG.CR14 110V AC WITH CYLINDER COVER SPECIAL VERSION	1 ST
	81389	SET-CAP.REG.CR14 24V DC WITH CYLINDER COVER SPECIAL VERSION	1 ST
	81388	SET-CAP.REG.CR14 24V AC WITH CYLINDER COVER SPECIAL VERSION	1 ST
	81390	SET-CAP.REG.CR14 12V DC	1 ST

		WITH CYLINDER COVER SPECIAL VERSION	
3310	81380	SET-VALVE BODY LR14	1 ST
3311	50970	O-RING ø38X2,5	1 ST
3312	50747	O-RING ø28X2,5	1 ST
3313	50636	GASKET-VALVE FLANGE	1 ST
3320	80693	SET-SOLENOID COIL 230V AC	1 ST
	80711	SET-SOLENOID COIL 110V AC SPECIAL VERSION	1 ST
	80692	SET-SOLENOID COIL 24V DC SPECIAL VERSION	1 ST
	80782	SET-SOLENOID COIL 24V AC SPECIAL VERSION	1 ST
	80691	SET-SOLENOID COIL 12V DC SPECIAL VERSION	1 ST
3322	51589	CYLINDER COVER F.CR10+14,CPL.	1 ST
3325	51023	GASKET-UPPER VALVE PLATE	1 ST
3330	51352	HEX.HEAD SCREW M10X95	8 ST
3335	60050	CYLINDER HEAD SCREW M8X55	1 ST
3340	06271	HEX.HEAD SCREW M10X70	2 ST
3345	05646	DISC A10,5	2 ST
3360	81385	SET-CYLINDER COVER F.CR10+14	1 ST
3400	81136	SET-ADDIT.VENTILA.ø315/HG56e	1 ST
3410	06808	VENTILATOR KPL.ø315 230V AC	1 ST
3415	81134	SET-ASSEMBLY KIT F.IMP. HG56e	1 ST
3420	51325	HOLDER F.ADDITIONAL VENTILATOR	2 ST
3430	51327	SPACING ROLLER ø20X11	4 ST
3440	06278	HEX.HEAD SCREW M10X80	4 ST
3450	05445	HEX.HEAD SCREW M10X25	4 ST
3460	05646	DISC A10,5	12 ST
3470	05665	SPRING WASHER B10	4 ST
3480	05630	HEX.HEAD NUT M10	4 ST
3500	81139	SET-OIL PRESS.SAFETY SW.MP54	1 ST
3650	81382	SET-OIL PRESS.SENSOR+BEAR.FLA.	1 ST
3700	80461	SET-OIL PRESS.SENSOR/DELTA-PII	1 ST
3705	81383	SET-REAR BEA.FL.PRE-MA.F.D-P	1 ST
3710	81264	SET-OIL PRESS.SENSOR/DELTA-PII (ONLY SWITCH PART)	1 ST
3720	50225	DELTA-P/INT250 SCREW-IN PART	1 ST
3730	50050	O-RING ø10,82X1,78	1 ST
3740	05724	SEAL RING 26x20x1,5	1 ST
3745	51022	GASKET-BEARING FL.+MOTOR COVER	1 ST
3750	80987	SET-OIL TEMP.SENS.CPL.1/8"NPTF	1 ST

3800	08921	SET-THERM PROT.TH.1/8"NPTF	1 ST
3810	81045	SET-USB CONVERTER F.INT69 G D.	1 ST
3820	81047	SET-MODBUS-LAN GATEWAY	1 ST
3830	81130	SET-DP-MODBUS GATEWAY	1 ST
3950	81252	SET-OILS.HEAT.160W 230V AC	1 ST
	81592	SET-OILS.HEAT.160W 24V DC/V2A SPECIAL VERSION	1 ST
	81593	SET-OILS.HEAT.160W 360-440V AC SPECIAL VERSION	1 ST
3999	02279	REFR.MACH.OIL SP46 / 1 LTR.CAN	1 ST
	02280	REFR.MACH.OIL SP46 / 5 LTR.CAN	1 ST
	02281	REFR.MACH.OIL SP46 /20 LTR.CAN NOT SHOWN	1 ST
		ONLY FOR R22-COMPRESSORS !	
	02282	REFR.MACH.OIL SE55 / 1 LTR.CAN	1 ST
	02283	REFR.MACH.OIL SE55 / 5 LTR.CAN	1 ST
02284	REFR.MACH.OIL SE55 /10 LTR.CAN NOT SHOWN	1 ST	
	ONLY FOR X-COMPRESSORS !		

## Список запчастей к HGX56e/850-4 S

Позиция	Арт.№	Описание	Количество
50	51025	GASKET-LOWER VALVE PLATE ø60	3 ST
60	51049	VALVE PLATE CPL. ø55/60	3 ST
70	51023	GASKET-UPPER VALVE PLATE	3 ST
71	50344	CYLINDER PIN 3M6x14	3 ST
100	07940	DECOMPRESSION VALVE M24X1,5	1 ST
110	05791	SEAL RING 27,8x24,2x2	1 ST
170	51588	CYLINDER COVER STANDARD,CPL.	3 ST
180	51352	HEX.HEAD SCREW M10X95	24 ST
185	50019	HEX.HEAD SCREW M10X55	6 ST
186	60050	CYLINDER HEAD SCREW M8X55	3 ST
210	50636	GASKET-VALVE FLANGE	1 ST
220	06034	HEX.HEAD SCREW M10X65	2 ST
221	05646	DISC A10,5	2 ST
270	07212	PISTON PIN ø15X10X46	6 ST
280	05551	CIRCLIP 15X1 DIN 472	12 ST
290	50508	TAPERED COMPR.RING PISTON 60	6 ST
300	51273	PLAIN COMPR.RING PIS.60 CHR	6 ST
320	05784	CAP NUT M22X1,5	1 ST
321	51714	CAP NUT 7/16"UNF	1 ST
322	05514	LOCKING SCREW 1/8"NPTF	1 ST
330	07128	SHUT-OFF VALVE (AL)	1 ST
332	50233	THREADED PIN M10X14	2 ST
340	05067	GASKET RING 42X34X1	1 ST
350	05313	SOLDERED BUSH ø35	1 ST
360	04329	FLANGE OVAL 16MM	1 ST
380	50287	CYLINDER HEAD SCREW M10X35	2 ST
457	51043	O-RING ø56X2	1 ST
470	51022	GASKET-BEARING FL.+MOTOR COVER	1 ST
480	05447	HEX.HEAD SCREW M10X35	16 ST
505	50044	PLUG M16X1,5	1 ST
510	05801	LOCKING SCREW 1/4"NPTF	1 ST
516	51492	LOCKING SCREW M12x1,5	1 ST
517	51497	SEAL RING 17x12x1,5	1 ST
520	05514	LOCKING SCREW 1/8"NPTF	2 ST
532	05514	LOCKING SCREW 1/8"NPTF	1 ST
570	06082	SIGHT GLASS ø60	1 ST

580	05402	HEX.HEAD SCREW M6X16	3 ST
590	06218	O-RING ø32,99x2,62	1 ST
600	06236	RING SCREW M12	1 ST
625	07803	NON-RETURN VALVE ø12 CPL.	1 ST
720	51019	MOTOR COVER,WITH BUSH	1 ST
721	51022	GASKET-BEARING FL.+MOTOR COVER	1 ST
740	05455	HEX.HEAD SCREW M10X110	14 ST
745	06882	HEX.HEAD SCREW M10X170	1 ST
782	51475	THRUST WASHER ø78Xø52X2	1 ST
790	06654	FEATHER KEY A12X8X50 DIN 6885	1 ST
800	51507	SAFETY SHEET	1 ST
810	50697	GROOVE NUT M40x1,5	1 ST
1060	06559	GASKET-TERMINAL BOARD	1 ST
1100	60041	HEX.HEAD SCREW M6X10 - A2	1 ST
1120	06043	LOCK WASHER S M6	12 ST
1121	05193	LOCK WASHER S M6 - A2	1 ST
1160	06626	HEX.HEAD SCREW M6X10	6 ST
1177	51502	SPACER SLEEVE 15KW FOR HG(X)56e/850-4	1 ST
	51503	SPACER SLEEVE 18,5KW FOR HG(X)56e/850-4 S	1 ST
1178	51057	SPACER SLEEVE 15KW FOR HG(X)56e/850-4	1 ST
1179	51638	FEATHER KEY A5,12X5,12X70	1 ST
1190	50685	FILTER SUCTION	1 ST
1210	05111	GASKET RING 81,5X60X1	1 ST
1211	06061	HEX.HEAD SCREW M6X12 - A2	4 ST
1220	06155	HEX.HEAD SCREW M16X100	4 ST
1240	05798	SOLDERED BUSH ø54	1 ST
1242	05785	SQUARE FLANGE (NS50)	1 ST
1244	05415	HEX.HEAD SCREW M16X50	4 ST
1250	05797	CAP NUT M36X1,5	1 ST
1251	05528 05545 05800	UNION NUT 7/16"UNF SEALING CAP 7/16"UNF SCREW-IN FITTING DIN 8906	1 ST 1 ST 1 ST
1260	05112	GASKET RING 75X61X1,0	1 ST
1520	80939	SET-FIXING PARTS INDIVIDUALLY ADDED	1 ST
1999		----- ASSEMBLY KITS -----	1 ST
2000	80965	SET-VALVE PLATE	3 ST
2005	08459	SET-DECOMPRES.VALVE M24X1,5	1 ST
2020	80950	SET-OIL PUMP	1 ST



2030	80943	SET-PISTON ø60 (CONT.+OPTIM.)	6 ST
2040	81187	SET-PISTON-CONN.W.2 RINGS/60	6 ST
2050	80952	SET-CRANKSHAFT 50 STROKE	1 ST
2060	08082	SET-SHUT-OFF VALVE NS32 (AL)	1 ST
2070	08087	SET-SHUT-OFF VALVE NS50	1 ST
2080	80093	SET-SIGHT GLASS ø60	1 ST
2090	81599	SET-GASKETS NOT SHOWN	1 ST
2100	81320	SET-CONNECTING ROD	6 ST
2110	81381	SET-REAR BEARING FLANGE SPARE PART FOR MACHINES WITHOUT OIL PRESSURE SENS.D-P	1 ST
	81383	SET-REAR BEA.FL.PRE-MA.F.D-P SPARE PART FOR MACHINES WITH D-P FROM FACTORY OR RE-FITTING	1 ST
2120	81368	SET-BEARING BUSH HH44e+HG56e	1 ST
2122	81369	SET-BEARING BUSH HG56e	1 ST
2125	81368	SET-BEARING BUSH HH44e+HG56e	1 ST
2130	81393	SET-MOTOR 15KW S/SS [PW50:50] FOR HG(X)56e/850-4	1 ST
	81394	SET-MOTOR 18,5KW S/SS[PW50:50] FOR HG(X)56e/850-4 S	1 ST
2150	08949	SET-TERMINAL BOARD	1 ST
2160	81397	SET-TERMINAL BOX / PA,BLUE	1 ST
2190	81042	SET-INT69 G MOTOR PROT.230V AC	1 ST
	81137	SET-INT69 G MOTOR PROT.24V DC SPECIAL VERSION	1 ST
2220	81384	SET-OIL STRAINER	1 ST
2250	81343	SET-THRUST WASHER	1 ST
2280	81735	SET-THREADED PIN	1 ST
2999		----- ACCESSORIES -----	1 ST
3000	80465	SET-START UNL.BOCC-ESS 63	1 ST
3250	81043	SET-INT69 G DIAGNOSE 230V AC	1 ST
3290	81449	SET-STEP PROTECTION	1 ST
3300	81372	SET-CR14 230V AC	1 ST
	81373	SET-CR14 110V AC SPECIAL VERSION	1 ST
	81374	SET-CR14 24V DC SPECIAL VERSION	1 ST
	81375	SET-CR14 12V DC SPECIAL VERSION	1 ST
3305	81386	SET-CAP.REG.CR14 230V AC WITH CYLINDER COVER	1 ST
	81387	SET-CAP.REG.CR14 110V AC WITH CYLINDER COVER SPECIAL VERSION	1 ST
	81389	SET-CAP.REG.CR14 24V DC WITH CYLINDER COVER SPECIAL VERSION	1 ST
	81388	SET-CAP.REG.CR14 24V AC WITH CYLINDER COVER SPECIAL VERSION	1 ST
	81390	SET-CAP.REG.CR14 12V DC	1 ST

		WITH CYLINDER COVER SPECIAL VERSION	
3310	81380	SET-VALVE BODY LR14	1 ST
3311	50970	O-RING ø38X2,5	1 ST
3312	50747	O-RING ø28X2,5	1 ST
3313	50636	GASKET-VALVE FLANGE	1 ST
3320	80693	SET-SOLENOID COIL 230V AC	1 ST
	80711	SET-SOLENOID COIL 110V AC SPECIAL VERSION	1 ST
	80692	SET-SOLENOID COIL 24V DC SPECIAL VERSION	1 ST
	80782	SET-SOLENOID COIL 24V AC SPECIAL VERSION	1 ST
	80691	SET-SOLENOID COIL 12V DC SPECIAL VERSION	1 ST
3322	51589	CYLINDER COVER F.CR10+14,CPL.	1 ST
3325	51023	GASKET-UPPER VALVE PLATE	1 ST
3330	51352	HEX.HEAD SCREW M10X95	8 ST
3335	60050	CYLINDER HEAD SCREW M8X55	1 ST
3340	06271	HEX.HEAD SCREW M10X70	2 ST
3345	05646	DISC A10,5	2 ST
3360	81385	SET-CYLINDER COVER F.CR10+14	1 ST
3400	81136	SET-ADDIT.VENTILA.ø315/HG56e	1 ST
3410	06808	VENTILATOR KPL.ø315 230V AC	1 ST
3415	81134	SET-ASSEMBLY KIT F.IMP. HG56e	1 ST
3420	51325	HOLDER F.ADDITIONAL VENTILATOR	2 ST
3430	51327	SPACING ROLLER ø20X11	4 ST
3440	06278	HEX.HEAD SCREW M10X80	4 ST
3450	05445	HEX.HEAD SCREW M10X25	4 ST
3460	05646	DISC A10,5	12 ST
3470	05665	SPRING WASHER B10	4 ST
3480	05630	HEX.HEAD NUT M10	4 ST
3500	81139	SET-OIL PRESS.SAFETY SW.MP54	1 ST
3650	81382	SET-OIL PRESS.SENSOR+BEAR.FLA.	1 ST
3700	80461	SET-OIL PRESS.SENSOR/DELTA-PII	1 ST
3705	81383	SET-REAR BEA.FL.PRE-MA.F.D-P	1 ST
3710	81264	SET-OIL PRESS.SENSOR/DELTA-PII (ONLY SWITCH PART)	1 ST
3720	50225	DELTA-P/INT250 SCREW-IN PART	1 ST
3730	50050	O-RING ø10,82X1,78	1 ST
3740	05724	SEAL RING 26x20x1,5	1 ST
3745	51022	GASKET-BEARING FL.+MOTOR COVER	1 ST
3750	80987	SET-OIL TEMP.SENS.CPL.1/8"NPTF	1 ST

3800	08921	SET-THERM PROT.TH.1/8"NPTF	1 ST
3810	81045	SET-USB CONVERTER F.INT69 G D.	1 ST
3820	81047	SET-MODBUS-LAN GATEWAY	1 ST
3830	81130	SET-DP-MODBUS GATEWAY	1 ST
3950	81252	SET-OILS.HEAT.160W 230V AC	1 ST
	81592	SET-OILS.HEAT.160W 24V DC/V2A SPECIAL VERSION	1 ST
	81593	SET-OILS.HEAT.160W 360-440V AC SPECIAL VERSION	1 ST
3999	02279	REFR.MACH.OIL SP46 / 1 LTR.CAN	1 ST
	02280	REFR.MACH.OIL SP46 / 5 LTR.CAN	1 ST
	02281	REFR.MACH.OIL SP46 /20 LTR.CAN NOT SHOWN	1 ST
		ONLY FOR R22-COMPRESSORS !	
	02282	REFR.MACH.OIL SE55 / 1 LTR.CAN	1 ST
	02283	REFR.MACH.OIL SE55 / 5 LTR.CAN	1 ST
02284	REFR.MACH.OIL SE55 /10 LTR.CAN NOT SHOWN	1 ST	
	ONLY FOR X-COMPRESSORS !		

## Список запчастей к HGX56e/995-4

Позиция	Арт.№	Описание	Количество
50	51026	GASKET-LOWER VALVE PLATE ø65	3 ST
60	51050	VALVE PLATE CPL. ø65/70	3 ST
70	51023	GASKET-UPPER VALVE PLATE	3 ST
100	07940	DECOMPRESSION VALVE M24X1,5	1 ST
110	05791	SEAL RING 27,8x24,2x2	1 ST
170	51588	CYLINDER COVER STANDARD,CPL.	3 ST
180	51352	HEX.HEAD SCREW M10X95	24 ST
185	50019	HEX.HEAD SCREW M10X55	6 ST
186	60050	CYLINDER HEAD SCREW M8X55	3 ST
210	50636	GASKET-VALVE FLANGE	1 ST
220	06034	HEX.HEAD SCREW M10X65	2 ST
221	05646	DISC A10,5	2 ST
270	07212	PISTON PIN ø15X10X46	6 ST
280	05551	CIRCLIP 15X1 DIN 472	12 ST
290	50509	TAPERED COMPR.RING PISTON 65	6 ST
300	51275	PLAIN COMPR.RING PIS.65 CHR	6 ST
320	05784	CAP NUT M22X1,5	1 ST
321	51714	CAP NUT 7/16"UNF	1 ST
322	05514	LOCKING SCREW 1/8"NPTF	1 ST
330	07128	SHUT-OFF VALVE (AL)	1 ST
332	50233	THREADED PIN M10X14	2 ST
340	05067	GASKET RING 42X34X1	1 ST
350	05313	SOLDERED BUSH ø35	1 ST
360	04329	FLANGE OVAL 16MM	1 ST
380	50287	CYLINDER HEAD SCREW M10X35	2 ST
457	51043	O-RING ø56X2	1 ST
470	51022	GASKET-BEARING FL.+MOTOR COVER	1 ST
480	05447	HEX.HEAD SCREW M10X35	16 ST
505	50044	PLUG M16X1,5	1 ST
510	05801	LOCKING SCREW 1/4"NPTF	1 ST
516	51492	LOCKING SCREW M12x1,5	1 ST
517	51497	SEAL RING 17x12x1,5	1 ST
520	05514	LOCKING SCREW 1/8"NPTF	2 ST
532	05514	LOCKING SCREW 1/8"NPTF	1 ST
570	06082	SIGHT GLASS ø60	1 ST
580	05402	HEX.HEAD SCREW M6X16	3 ST

590	06218	O-RING ø32,99x2,62	1 ST
600	06236	RING SCREW M12	1 ST
625	07803	NON-RETURN VALVE ø12 CPL.	1 ST
720	51019	MOTOR COVER,WITH BUSH	1 ST
721	51022	GASKET-BEARING FL.+MOTOR COVER	1 ST
740	05455	HEX.HEAD SCREW M10X110	14 ST
745	06882	HEX.HEAD SCREW M10X170	1 ST
782	51475	THRUST WASHER ø78Xø52X2	1 ST
790	06654	FEATHER KEY A12X8X50 DIN 6885	1 ST
800	51507	SAFETY SHEET	1 ST
810	50697	GROOVE NUT M40x1,5	1 ST
1060	06559	GASKET-TERMINAL BOARD	1 ST
1100	60041	HEX.HEAD SCREW M6X10 - A2	1 ST
1120	06043	LOCK WASHER S M6	12 ST
1121	05193	LOCK WASHER S M6 - A2	1 ST
1160	06626	HEX.HEAD SCREW M6X10	6 ST
1177	51503	SPACER SLEEVE 18,5KW FOR HG(X)56e/995-4	1 ST
	51504	SPACER SLEEVE 22KW FOR HG(X)56e/995-4 S	1 ST
1179	51638	FEATHER KEY A5,12X5,12X70	1 ST
1190	50685	FILTER SUCTION	1 ST
1210	05111	GASKET RING 81,5X60X1	1 ST
1211	06061	HEX.HEAD SCREW M6X12 - A2	4 ST
1220	06155	HEX.HEAD SCREW M16X100	4 ST
1240	05798	SOLDERED BUSH ø54	1 ST
1242	05785	SQUARE FLANGE (NS50)	1 ST
1244	05415	HEX.HEAD SCREW M16X50	4 ST
1250	05797	CAP NUT M36X1,5	1 ST
1251	05528	UNION NUT 7/16"UNF	1 ST
	05545	SEALING CAP 7/16"UNF	1 ST
	05800	SCREW-IN FITTING DIN 8906	1 ST
1260	05112	GASKET RING 75X61X1,0	1 ST
1520	80939	SET-FIXING PARTS INDIVIDUALLY ADDED	1 ST
1999		----- ASSEMBLY KITS -----	1 ST
2000	80966	SET-VALVE PLATE	3 ST
2005	08459	SET-DECOMPRES.VALVE M24X1,5	1 ST
2020	80950	SET-OIL PUMP	1 ST
2030	80944	SET-PISTON ø65 (CONT.+OPTIM.)	6 ST
2040	81188	SET-PISTON-CONN.W.2 RINGS/65	6 ST

2050	80952	SET-CRANKSHAFT 50 STROKE	1 ST
2060	08082	SET-SHUT-OFF VALVE NS32 (AL)	1 ST
2070	08087	SET-SHUT-OFF VALVE NS50	1 ST
2080	80093	SET-SIGHT GLASS ø60	1 ST
2090	81599	SET-GASKETS NOT SHOWN	1 ST
2100	81320	SET-CONNECTING ROD	6 ST
2110	81381	SET-REAR BEARING FLANGE SPARE PART FOR MACHINES WITHOUT OIL PRESSURE SENS.D-P	1 ST
	81383	SET-REAR BEA.FL.PRE-MA.F.D-P SPARE PART FOR MACHINES WITH D-P FROM FACTORY OR RE-FITTING	1 ST
2120	81368	SET-BEARING BUSH HH44e+HG56e	1 ST
2122	81369	SET-BEARING BUSH HG56e	1 ST
2125	81368	SET-BEARING BUSH HH44e+HG56e	1 ST
2130	81394	SET-MOTOR 18,5KW S/SS[PW50:50] FOR HG(X)56e/995-4	1 ST
	81395	SET-MOTOR 22KW S/SS [PW50:50] FOR HG(X)56e/995-4 S	1 ST
2150	08949	SET-TERMINAL BOARD	1 ST
2160	81397	SET-TERMINAL BOX / PA,BLUE	1 ST
2190	81042	SET-INT69 G MOTOR PROT.230V AC	1 ST
	81137	SET-INT69 G MOTOR PROT.24V DC SPECIAL VERSION	1 ST
2220	81384	SET-OIL STRAINER	1 ST
2250	81343	SET-THRUST WASHER	1 ST
2280	81735	SET-THREADED PIN	1 ST
2999		----- ACCESSORIES -----	1 ST
3000	80465	SET-START UNL.BOCC-ESS 63	1 ST
3250	81043	SET-INT69 G DIAGNOSE 230V AC	1 ST
3290	81449	SET-STEP PROTECTION	1 ST
3300	81372	SET-CR14 230V AC	1 ST
	81373	SET-CR14 110V AC SPECIAL VERSION	1 ST
	81374	SET-CR14 24V DC SPECIAL VERSION	1 ST
	81375	SET-CR14 12V DC SPECIAL VERSION	1 ST
3305	81386	SET-CAP.REG.CR14 230V AC WITH CYLINDER COVER	1 ST
	81387	SET-CAP.REG.CR14 110V AC WITH CYLINDER COVER SPECIAL VERSION	1 ST
	81389	SET-CAP.REG.CR14 24V DC WITH CYLINDER COVER SPECIAL VERSION	1 ST
	81388	SET-CAP.REG.CR14 24V AC WITH CYLINDER COVER SPECIAL VERSION	1 ST
	81390	SET-CAP.REG.CR14 12V DC WITH CYLINDER COVER SPECIAL VERSION	1 ST
3310	81380	SET-VALVE BODY LR14	1 ST

3311	50970	O-RING ø38X2,5	1 ST
3312	50747	O-RING ø28X2,5	1 ST
3313	50636	GASKET-VALVE FLANGE	1 ST
3320	80693	SET-SOLENOID COIL 230V AC	1 ST
	80711	SET-SOLENOID COIL 110V AC SPECIAL VERSION	1 ST
	80692	SET-SOLENOID COIL 24V DC SPECIAL VERSION	1 ST
	80782	SET-SOLENOID COIL 24V AC SPECIAL VERSION	1 ST
	80691	SET-SOLENOID COIL 12V DC SPECIAL VERSION	1 ST
3322	51589	CYLINDER COVER F.CR10+14,CPL.	1 ST
3325	51023	GASKET-UPPER VALVE PLATE	1 ST
3330	51352	HEX.HEAD SCREW M10X95	8 ST
3335	60050	CYLINDER HEAD SCREW M8X55	1 ST
3340	06271	HEX.HEAD SCREW M10X70	2 ST
3345	05646	DISC A10,5	2 ST
3360	81385	SET-CYLINDER COVER F.CR10+14	1 ST
3400	81136	SET-ADDIT.VENTILA.ø315/HG56e	1 ST
3410	06808	VENTILATOR KPL.ø315 230V AC	1 ST
3415	81134	SET-ASSEMBLY KIT F.IMP. HG56e	1 ST
3420	51325	HOLDER F.ADDITIONAL VENTILATOR	2 ST
3430	51327	SPACING ROLLER ø20X11	4 ST
3440	06278	HEX.HEAD SCREW M10X80	4 ST
3450	05445	HEX.HEAD SCREW M10X25	4 ST
3460	05646	DISC A10,5	12 ST
3470	05665	SPRING WASHER B10	4 ST
3480	05630	HEX.HEAD NUT M10	4 ST
3500	81139	SET-OIL PRESS.SAFETY SW.MP54	1 ST
3650	81382	SET-OIL PRESS.SENSOR+BEAR.FLA.	1 ST
3700	80461	SET-OIL PRESS.SENSOR/DELTA-PII	1 ST
3705	81383	SET-REAR BEA.FL.PRE-MA.F.D-P	1 ST
3710	81264	SET-OIL PRESS.SENSOR/DELTA-PII (ONLY SWITCH PART)	1 ST
3720	50225	DELTA-P/INT250 SCREW-IN PART	1 ST
3730	50050	O-RING ø10,82X1,78	1 ST
3740	05724	SEAL RING 26x20x1,5	1 ST
3745	51022	GASKET-BEARING FL.+MOTOR COVER	1 ST
3750	80987	SET-OIL TEMP.SENS.CPL.1/8"NPTF	1 ST
3800	08921	SET-THERM PROT.TH.1/8"NPTF	1 ST
3810	81045	SET-USB CONVERTER F.INT69 G D.	1 ST
3820	81047	SET-MODBUS-LAN GATEWAY	1 ST

3830	81130	SET-DP-MODBUS GATEWAY	1 ST
3950	81252	SET-OILS.HEAT.160W 230V AC	1 ST
	81592	SET-OILS.HEAT.160W 24V DC/V2A SPECIAL VERSION	1 ST
	81593	SET-OILS.HEAT.160W 360-440V AC SPECIAL VERSION	1 ST
3999	02279	REFR.MACH.OIL SP46 / 1 LTR.CAN	1 ST
	02280	REFR.MACH.OIL SP46 / 5 LTR.CAN	1 ST
	02281	REFR.MACH.OIL SP46 /20 LTR.CAN NOT SHOWN ONLY FOR R22-COMPRESSORS !	1 ST
	02282	REFR.MACH.OIL SE55 / 1 LTR.CAN	1 ST
	02283	REFR.MACH.OIL SE55 / 5 LTR.CAN	1 ST
	02284	REFR.MACH.OIL SE55 /10 LTR.CAN NOT SHOWN ONLY FOR X-COMPRESSORS !	1 ST



## Список запчастей к HGX56e/995-4 S

Позиция	Арт.№	Описание	Количество
50	51026	GASKET-LOWER VALVE PLATE ø65	3 ST
60	51050	VALVE PLATE CPL. ø65/70	3 ST
70	51023	GASKET-UPPER VALVE PLATE	3 ST
100	07940	DECOMPRESSION VALVE M24X1,5	1 ST
110	05791	SEAL RING 27,8x24,2x2	1 ST
170	51588	CYLINDER COVER STANDARD,CPL.	3 ST
180	51352	HEX.HEAD SCREW M10X95	24 ST
185	50019	HEX.HEAD SCREW M10X55	6 ST
186	60050	CYLINDER HEAD SCREW M8X55	3 ST
210	50636	GASKET-VALVE FLANGE	1 ST
220	06034	HEX.HEAD SCREW M10X65	2 ST
221	05646	DISC A10,5	2 ST
270	07212	PISTON PIN ø15X10X46	6 ST
280	05551	CIRCLIP 15X1 DIN 472	12 ST
290	50509	TAPERED COMPR.RING PISTON 65	6 ST
300	51275	PLAIN COMPR.RING PIS.65 CHR	6 ST
320	05784	CAP NUT M22X1,5	1 ST
321	51714	CAP NUT 7/16"UNF	1 ST
322	05514	LOCKING SCREW 1/8"NPTF	1 ST
330	07128	SHUT-OFF VALVE (AL)	1 ST
332	50233	THREADED PIN M10X14	2 ST
340	05067	GASKET RING 42X34X1	1 ST
350	05313	SOLDERED BUSH ø35	1 ST
360	04329	FLANGE OVAL 16MM	1 ST
380	50287	CYLINDER HEAD SCREW M10X35	2 ST
457	51043	O-RING ø56X2	1 ST
470	51022	GASKET-BEARING FL.+MOTOR COVER	1 ST
480	05447	HEX.HEAD SCREW M10X35	16 ST
505	50044	PLUG M16X1,5	1 ST
510	05801	LOCKING SCREW 1/4"NPTF	1 ST
516	51492	LOCKING SCREW M12x1,5	1 ST
517	51497	SEAL RING 17x12x1,5	1 ST
520	05514	LOCKING SCREW 1/8"NPTF	2 ST
532	05514	LOCKING SCREW 1/8"NPTF	1 ST
570	06082	SIGHT GLASS ø60	1 ST
580	05402	HEX.HEAD SCREW M6X16	3 ST

590	06218	O-RING ø32,99x2,62	1 ST
600	06236	RING SCREW M12	1 ST
625	07803	NON-RETURN VALVE ø12 CPL.	1 ST
720	51019	MOTOR COVER,WITH BUSH	1 ST
721	51022	GASKET-BEARING FL.+MOTOR COVER	1 ST
740	05455	HEX.HEAD SCREW M10X110	14 ST
745	06882	HEX.HEAD SCREW M10X170	1 ST
782	51475	THRUST WASHER ø78Xø52X2	1 ST
790	06654	FEATHER KEY A12X8X50 DIN 6885	1 ST
800	51507	SAFETY SHEET	1 ST
810	50697	GROOVE NUT M40x1,5	1 ST
1060	06559	GASKET-TERMINAL BOARD	1 ST
1100	60041	HEX.HEAD SCREW M6X10 - A2	1 ST
1120	06043	LOCK WASHER S M6	12 ST
1121	05193	LOCK WASHER S M6 - A2	1 ST
1160	06626	HEX.HEAD SCREW M6X10	6 ST
1177	51503	SPACER SLEEVE 18,5KW FOR HG(X)56e/995-4	1 ST
	51504	SPACER SLEEVE 22KW FOR HG(X)56e/995-4 S	1 ST
1179	51638	FEATHER KEY A5,12X5,12X70	1 ST
1190	50685	FILTER SUCTION	1 ST
1210	05111	GASKET RING 81,5X60X1	1 ST
1211	06061	HEX.HEAD SCREW M6X12 - A2	4 ST
1220	06155	HEX.HEAD SCREW M16X100	4 ST
1240	05798	SOLDERED BUSH ø54	1 ST
1242	05785	SQUARE FLANGE (NS50)	1 ST
1244	05415	HEX.HEAD SCREW M16X50	4 ST
1250	05797	CAP NUT M36X1,5	1 ST
1251	05528	UNION NUT 7/16"UNF	1 ST
	05545	SEALING CAP 7/16"UNF	1 ST
	05800	SCREW-IN FITTING DIN 8906	1 ST
1260	05112	GASKET RING 75X61X1,0	1 ST
1520	80939	SET-FIXING PARTS INDIVIDUALLY ADDED	1 ST
1999		----- ASSEMBLY KITS -----	1 ST
2000	80966	SET-VALVE PLATE	3 ST
2005	08459	SET-DECOMPRES.VALVE M24X1,5	1 ST
2020	80950	SET-OIL PUMP	1 ST
2030	80944	SET-PISTON ø65 (CONT.+OPTIM.)	6 ST
2040	81188	SET-PISTON-CONN.W.2 RINGS/65	6 ST

2050	80952	SET-CRANKSHAFT 50 STROKE	1 ST
2060	08082	SET-SHUT-OFF VALVE NS32 (AL)	1 ST
2070	08087	SET-SHUT-OFF VALVE NS50	1 ST
2080	80093	SET-SIGHT GLASS ø60	1 ST
2090	81599	SET-GASKETS NOT SHOWN	1 ST
2100	81320	SET-CONNECTING ROD	6 ST
2110	81381	SET-REAR BEARING FLANGE SPARE PART FOR MACHINES WITHOUT OIL PRESSURE SENS.D-P	1 ST
	81383	SET-REAR BEA.FL.PRE-MA.F.D-P SPARE PART FOR MACHINES WITH D-P FROM FACTORY OR RE-FITTING	1 ST
2120	81368	SET-BEARING BUSH HH44e+HG56e	1 ST
2122	81369	SET-BEARING BUSH HG56e	1 ST
2125	81368	SET-BEARING BUSH HH44e+HG56e	1 ST
2130	81394	SET-MOTOR 18,5KW S/SS[PW50:50] FOR HG(X)56e/995-4	1 ST
	81395	SET-MOTOR 22KW S/SS [PW50:50] FOR HG(X)56e/995-4 S	1 ST
2150	08949	SET-TERMINAL BOARD	1 ST
2160	81397	SET-TERMINAL BOX / PA,BLUE	1 ST
2190	81042	SET-INT69 G MOTOR PROT.230V AC	1 ST
	81137	SET-INT69 G MOTOR PROT.24V DC SPECIAL VERSION	1 ST
2220	81384	SET-OIL STRAINER	1 ST
2250	81343	SET-THRUST WASHER	1 ST
2280	81735	SET-THREADED PIN	1 ST
2999		----- ACCESSORIES -----	1 ST
3000	80465	SET-START UNL.BOCC-ESS 63	1 ST
3250	81043	SET-INT69 G DIAGNOSE 230V AC	1 ST
3290	81449	SET-STEP PROTECTION	1 ST
3300	81372	SET-CR14 230V AC	1 ST
	81373	SET-CR14 110V AC SPECIAL VERSION	1 ST
	81374	SET-CR14 24V DC SPECIAL VERSION	1 ST
	81375	SET-CR14 12V DC SPECIAL VERSION	1 ST
3305	81386	SET-CAP.REG.CR14 230V AC WITH CYLINDER COVER	1 ST
	81387	SET-CAP.REG.CR14 110V AC WITH CYLINDER COVER SPECIAL VERSION	1 ST
	81389	SET-CAP.REG.CR14 24V DC WITH CYLINDER COVER SPECIAL VERSION	1 ST
	81388	SET-CAP.REG.CR14 24V AC WITH CYLINDER COVER SPECIAL VERSION	1 ST
	81390	SET-CAP.REG.CR14 12V DC WITH CYLINDER COVER SPECIAL VERSION	1 ST
3310	81380	SET-VALVE BODY LR14	1 ST

3311	50970	O-RING ø38X2,5	1 ST
3312	50747	O-RING ø28X2,5	1 ST
3313	50636	GASKET-VALVE FLANGE	1 ST
3320	80693	SET-SOLENOID COIL 230V AC	1 ST
	80711	SET-SOLENOID COIL 110V AC SPECIAL VERSION	1 ST
	80692	SET-SOLENOID COIL 24V DC SPECIAL VERSION	1 ST
	80782	SET-SOLENOID COIL 24V AC SPECIAL VERSION	1 ST
	80691	SET-SOLENOID COIL 12V DC SPECIAL VERSION	1 ST
3322	51589	CYLINDER COVER F.CR10+14,CPL.	1 ST
3325	51023	GASKET-UPPER VALVE PLATE	1 ST
3330	51352	HEX.HEAD SCREW M10X95	8 ST
3335	60050	CYLINDER HEAD SCREW M8X55	1 ST
3340	06271	HEX.HEAD SCREW M10X70	2 ST
3345	05646	DISC A10,5	2 ST
3360	81385	SET-CYLINDER COVER F.CR10+14	1 ST
3400	81136	SET-ADDIT.VENTILA.ø315/HG56e	1 ST
3410	06808	VENTILATOR KPL.ø315 230V AC	1 ST
3415	81134	SET-ASSEMBLY KIT F.IMP. HG56e	1 ST
3420	51325	HOLDER F.ADDITIONAL VENTILATOR	2 ST
3430	51327	SPACING ROLLER ø20X11	4 ST
3440	06278	HEX.HEAD SCREW M10X80	4 ST
3450	05445	HEX.HEAD SCREW M10X25	4 ST
3460	05646	DISC A10,5	12 ST
3470	05665	SPRING WASHER B10	4 ST
3480	05630	HEX.HEAD NUT M10	4 ST
3500	81139	SET-OIL PRESS.SAFETY SW.MP54	1 ST
3650	81382	SET-OIL PRESS.SENSOR+BEAR.FLA.	1 ST
3700	80461	SET-OIL PRESS.SENSOR/DELTA-PII	1 ST
3705	81383	SET-REAR BEA.FL.PRE-MA.F.D-P	1 ST
3710	81264	SET-OIL PRESS.SENSOR/DELTA-PII (ONLY SWITCH PART)	1 ST
3720	50225	DELTA-P/INT250 SCREW-IN PART	1 ST
3730	50050	O-RING ø10,82X1,78	1 ST
3740	05724	SEAL RING 26x20x1,5	1 ST
3745	51022	GASKET-BEARING FL.+MOTOR COVER	1 ST
3750	80987	SET-OIL TEMP.SENS.CPL.1/8"NPTF	1 ST
3800	08921	SET-THERM PROT.TH.1/8"NPTF	1 ST
3810	81045	SET-USB CONVERTER F.INT69 G D.	1 ST
3820	81047	SET-MODBUS-LAN GATEWAY	1 ST

3830	81130	SET-DP-MODBUS GATEWAY	1 ST
3950	81252	SET-OILS.HEAT.160W 230V AC	1 ST
	81592	SET-OILS.HEAT.160W 24V DC/V2A SPECIAL VERSION	1 ST
	81593	SET-OILS.HEAT.160W 360-440V AC SPECIAL VERSION	1 ST
3999	02279	REFR.MACH.OIL SP46 / 1 LTR.CAN	1 ST
	02280	REFR.MACH.OIL SP46 / 5 LTR.CAN	1 ST
	02281	REFR.MACH.OIL SP46 /20 LTR.CAN NOT SHOWN ONLY FOR R22-COMPRESSORS !	1 ST
	02282	REFR.MACH.OIL SE55 / 1 LTR.CAN	1 ST
	02283	REFR.MACH.OIL SE55 / 5 LTR.CAN	1 ST
	02284	REFR.MACH.OIL SE55 /10 LTR.CAN NOT SHOWN ONLY FOR X-COMPRESSORS !	1 ST

## Список запчастей к HGX56e/1155-4

Позиция	Арт.№	Описание	Количество
50	51027	GASKET-LOWER VALVE PLATE ø70	3 ST
60	51050	VALVE PLATE CPL. ø65/70	3 ST
70	51023	GASKET-UPPER VALVE PLATE	3 ST
71	50344	CYLINDER PIN 3M6x14	3 ST
100	07940	DECOMPRESSION VALVE M24X1,5	1 ST
110	05791	SEAL RING 27,8x24,2x2	1 ST
170	51588	CYLINDER COVER STANDARD,CPL.	3 ST
180	51352	HEX.HEAD SCREW M10X95	24 ST
185	50019	HEX.HEAD SCREW M10X55	6 ST
186	60050	CYLINDER HEAD SCREW M8X55	3 ST
210	50636	GASKET-VALVE FLANGE	1 ST
220	06034	HEX.HEAD SCREW M10X65	2 ST
221	05646	DISC A10,5	2 ST
270	07212	PISTON PIN ø15X10X46	6 ST
280	05551	CIRCLIP 15X1 DIN 472	12 ST
290	51079	TAPERED COMPR.RING PISTON 70	6 ST
300	51080	PLAIN COMPR.RING PIS.70 CHR.	6 ST
320	05784	CAP NUT M22X1,5	1 ST
321	51714	CAP NUT 7/16"UNF	1 ST
322	05514	LOCKING SCREW 1/8"NPTF	1 ST
330	07128	SHUT-OFF VALVE (AL)	1 ST
332	50233	THREADED PIN M10X14	2 ST
340	05067	GASKET RING 42X34X1	1 ST
350	05313	SOLDERED BUSH ø35	1 ST
360	04329	FLANGE OVAL 16MM	1 ST
380	50287	CYLINDER HEAD SCREW M10X35	2 ST
457	51043	O-RING ø56X2	1 ST
470	51022	GASKET-BEARING FL.+MOTOR COVER	1 ST
480	05447	HEX.HEAD SCREW M10X35	16 ST
505	50044	PLUG M16X1,5	1 ST
510	05801	LOCKING SCREW 1/4"NPTF	1 ST
516	51492	LOCKING SCREW M12x1,5	1 ST
517	51497	SEAL RING 17x12x1,5	1 ST
520	05514	LOCKING SCREW 1/8"NPTF	2 ST
532	05514	LOCKING SCREW 1/8"NPTF	1 ST
570	06082	SIGHT GLASS ø60	1 ST

580	05402	HEX.HEAD SCREW M6X16	3 ST
590	06218	O-RING ø32,99x2,62	1 ST
600	06236	RING SCREW M12	1 ST
625	07803	NON-RETURN VALVE ø12 CPL.	1 ST
720	51019	MOTOR COVER,WITH BUSH	1 ST
721	51022	GASKET-BEARING FL.+MOTOR COVER	1 ST
740	05455	HEX.HEAD SCREW M10X110	14 ST
745	06882	HEX.HEAD SCREW M10X170	1 ST
782	51475	THRUST WASHER ø78Xø52X2	1 ST
790	06654	FEATHER KEY A12X8X50 DIN 6885	1 ST
800	51507	SAFETY SHEET	1 ST
810	50697	GROOVE NUT M40x1,5	1 ST
1060	06559	GASKET-TERMINAL BOARD	1 ST
1100	60041	HEX.HEAD SCREW M6X10 - A2	1 ST
1120	06043	LOCK WASHER S M6	12 ST
1121	05193	LOCK WASHER S M6 - A2	1 ST
1160	06626	HEX.HEAD SCREW M6X10	6 ST
1177	51504	SPACER SLEEVE 22KW FOR HG(X)56e/1155-4	1 ST
1179	51638	FEATHER KEY A5,12X5,12X70	1 ST
1190	50685	FILTER SUCTION	1 ST
1210	05111	GASKET RING 81,5X60X1	1 ST
1211	06061	HEX.HEAD SCREW M6X12 - A2	4 ST
1220	06155	HEX.HEAD SCREW M16X100	4 ST
1240	05798	SOLDERED BUSH ø54	1 ST
1242	05785	SQUARE FLANGE (NS50)	1 ST
1244	05415	HEX.HEAD SCREW M16X50	4 ST
1250	05797	CAP NUT M36X1,5	1 ST
1251	05528 05545 05800	UNION NUT 7/16"UNF SEALING CAP 7/16"UNF SCREW-IN FITTING DIN 8906	1 ST 1 ST 1 ST
1260	05112	GASKET RING 75X61X1,0	1 ST
1520	80939	SET-FIXING PARTS INDIVIDUALLY ADDED	1 ST
1999		----- ASSEMBLY KITS -----	1 ST
2000	80966	SET-VALVE PLATE	3 ST
2005	08459	SET-DECOMPRES.VALVE M24X1,5	1 ST
2020	80950	SET-OIL PUMP	1 ST
2030	80945	SET-PISTON ø70 (CONT.+OPTIM.)	6 ST
2040	81189	SET-PISTON-CONN.W.2 RINGS/70	6 ST

2050	80952	SET-CRANKSHAFT 50 STROKE	1 ST
2060	08082	SET-SHUT-OFF VALVE NS32 (AL)	1 ST
2070	08087	SET-SHUT-OFF VALVE NS50	1 ST
2080	80093	SET-SIGHT GLASS ø60	1 ST
2090	81599	SET-GASKETS NOT SHOWN	1 ST
2100	81320	SET-CONNECTING ROD	6 ST
2110	81381	SET-REAR BEARING FLANGE SPARE PART FOR MACHINES WITHOUT OIL PRESSURE SENS.D-P	1 ST
	81383	SET-REAR BEA.FL.PRE-MA.F.D-P SPARE PART FOR MACHINES WITH D-P FROM FACTORY OR RE-FITTING	1 ST
2120	81368	SET-BEARING BUSH HH44e+HG56e	1 ST
2122	81369	SET-BEARING BUSH HG56e	1 ST
2125	81368	SET-BEARING BUSH HH44e+HG56e	1 ST
2130	81395	SET-MOTOR 22KW S/SS [PW50:50] FOR HG(X)56e/1155-4	1 ST
	81396	SET-MOTOR 30KW S/SS [PW50:50] FOR HG(X)56e/1155-4 S	1 ST
2150	08949	SET-TERMINAL BOARD	1 ST
2160	81397	SET-TERMINAL BOX / PA,BLUE	1 ST
2190	81042	SET-INT69 G MOTOR PROT.230V AC	1 ST
	81137	SET-INT69 G MOTOR PROT.24V DC SPECIAL VERSION	1 ST
2220	81384	SET-OIL STRAINER	1 ST
2250	81343	SET-THRUST WASHER	1 ST
2280	81735	SET-THREADED PIN	1 ST
2999		----- ACCESSORIES -----	1 ST
3000	80465	SET-START UNL.BOCK-ESS 63 FOR HG(X)56e/1155-4	1 ST
	80466	SET-START UNL.BOCK-ESS 72 FOR HG(X)56e/1155-4 S	1 ST
3250	81043	SET-INT69 G DIAGNOSE 230V AC	1 ST
3290	81449	SET-STEP PROTECTION	1 ST
3300	81372	SET-CR14 230V AC	1 ST
	81373	SET-CR14 110V AC SPECIAL VERSION	1 ST
	81374	SET-CR14 24V DC SPECIAL VERSION	1 ST
	81375	SET-CR14 12V DC SPECIAL VERSION	1 ST
3305	81386	SET-CAP.REG.CR14 230V AC WITH CYLINDER COVER	1 ST
	81387	SET-CAP.REG.CR14 110V AC WITH CYLINDER COVER SPECIAL VERSION	1 ST
	81389	SET-CAP.REG.CR14 24V DC WITH CYLINDER COVER SPECIAL VERSION	1 ST
	81388	SET-CAP.REG.CR14 24V AC WITH CYLINDER COVER SPECIAL VERSION	1 ST
	81390	SET-CAP.REG.CR14 12V DC WITH CYLINDER COVER SPECIAL VERSION	1 ST



3310	81380	SET-VALVE BODY LR14	1 ST
3311	50970	O-RING ø38X2,5	1 ST
3312	50747	O-RING ø28X2,5	1 ST
3313	50636	GASKET-VALVE FLANGE	1 ST
3320	80693	SET-SOLENOID COIL 230V AC	1 ST
	80711	SET-SOLENOID COIL 110V AC SPECIAL VERSION	1 ST
	80692	SET-SOLENOID COIL 24V DC SPECIAL VERSION	1 ST
	80782	SET-SOLENOID COIL 24V AC SPECIAL VERSION	1 ST
	80691	SET-SOLENOID COIL 12V DC SPECIAL VERSION	1 ST
3322	51589	CYLINDER COVER F.CR10+14,CPL.	1 ST
3325	51023	GASKET-UPPER VALVE PLATE	1 ST
3330	51352	HEX.HEAD SCREW M10X95	8 ST
3335	60050	CYLINDER HEAD SCREW M8X55	1 ST
3340	06271	HEX.HEAD SCREW M10X70	2 ST
3345	05646	DISC A10,5	2 ST
3360	81385	SET-CYLINDER COVER F.CR10+14	1 ST
3400	81136	SET-ADDIT.VENTILA.ø315/HG56e	1 ST
3410	06808	VENTILATOR KPL.ø315 230V AC	1 ST
3415	81134	SET-ASSEMBLY KIT F.IMP. HG56e	1 ST
3420	51325	HOLDER F.ADDITIONAL VENTILATOR	2 ST
3430	51327	SPACING ROLLER ø20X11	4 ST
3440	06278	HEX.HEAD SCREW M10X80	4 ST
3450	05445	HEX.HEAD SCREW M10X25	4 ST
3460	05646	DISC A10,5	12 ST
3470	05665	SPRING WASHER B10	4 ST
3480	05630	HEX.HEAD NUT M10	4 ST
3500	81139	SET-OIL PRESS.SAFETY SW.MP54	1 ST
3650	81382	SET-OIL PRESS.SENSOR+BEAR.FLA.	1 ST
3700	80461	SET-OIL PRESS.SENSOR/DELTA-PII	1 ST
3705	81383	SET-REAR BEA.FL.PRE-MA.F.D-P	1 ST
3710	81264	SET-OIL PRESS.SENSOR/DELTA-PII (ONLY SWITCH PART)	1 ST
3720	50225	DELTA-P/INT250 SCREW-IN PART	1 ST
3730	50050	O-RING ø10,82X1,78	1 ST
3740	05724	SEAL RING 26x20x1,5	1 ST
3745	51022	GASKET-BEARING FL.+MOTOR COVER	1 ST
3750	80987	SET-OIL TEMP.SENS.CPL.1/8"NPTF	1 ST
3800	08921	SET-THERM PROT.TH.1/8"NPTF	1 ST
3810	81045	SET-USB CONVERTER F.INT69 G D.	1 ST

3820	81047	SET-MODBUS-LAN GATEWAY	1 ST
3830	81130	SET-DP-MODBUS GATEWAY	1 ST
3950	81252	SET-OILS.HEAT.160W 230V AC	1 ST
	81592	SET-OILS.HEAT.160W 24V DC/V2A SPECIAL VERSION	1 ST
	81593	SET-OILS.HEAT.160W 360-440V AC SPECIAL VERSION	1 ST
3999	02279	REFR.MACH.OIL SP46 / 1 LTR.CAN	1 ST
	02280	REFR.MACH.OIL SP46 / 5 LTR.CAN	1 ST
	02281	REFR.MACH.OIL SP46 /20 LTR.CAN NOT SHOWN	1 ST
		ONLY FOR R22-COMPRESSORS !	
	02282	REFR.MACH.OIL SE55 / 1 LTR.CAN	1 ST
	02283	REFR.MACH.OIL SE55 / 5 LTR.CAN	1 ST
	02284	REFR.MACH.OIL SE55 /10 LTR.CAN NOT SHOWN	1 ST
		ONLY FOR X-COMPRESSORS !	

## Список запчастей к HGX56e/1155-4 S

Позиция	Арт.№	Описание	Количество
50	51027	GASKET-LOWER VALVE PLATE ø70	3 ST
60	51050	VALVE PLATE CPL. ø65/70	3 ST
70	51023	GASKET-UPPER VALVE PLATE	3 ST
71	50344	CYLINDER PIN 3M6x14	3 ST
100	07940	DECOMPRESSION VALVE M24X1,5	1 ST
110	05791	SEAL RING 27,8x24,2x2	1 ST
170	51588	CYLINDER COVER STANDARD,CPL.	3 ST
180	51352	HEX.HEAD SCREW M10X95	24 ST
185	50019	HEX.HEAD SCREW M10X55	6 ST
186	60050	CYLINDER HEAD SCREW M8X55	3 ST
210	50636	GASKET-VALVE FLANGE	1 ST
220	06034	HEX.HEAD SCREW M10X65	2 ST
221	05646	DISC A10,5	2 ST
270	07212	PISTON PIN ø15X10X46	6 ST
280	05551	CIRCLIP 15X1 DIN 472	12 ST
290	51079	TAPERED COMPR.RING PISTON 70	6 ST
300	51080	PLAIN COMPR.RING PIS.70 CHR.	6 ST
320	05784	CAP NUT M22X1,5	1 ST
321	51714	CAP NUT 7/16"UNF	1 ST
322	05514	LOCKING SCREW 1/8"NPTF	1 ST
330	07128	SHUT-OFF VALVE (AL)	1 ST
332	50233	THREADED PIN M10X14	2 ST
340	05067	GASKET RING 42X34X1	1 ST
350	05313	SOLDERED BUSH ø35	1 ST
360	04329	FLANGE OVAL 16MM	1 ST
380	50287	CYLINDER HEAD SCREW M10X35	2 ST
457	51043	O-RING ø56X2	1 ST
470	51022	GASKET-BEARING FL.+MOTOR COVER	1 ST
480	05447	HEX.HEAD SCREW M10X35	16 ST
505	50044	PLUG M16X1,5	1 ST
510	05801	LOCKING SCREW 1/4"NPTF	1 ST
516	51492	LOCKING SCREW M12x1,5	1 ST
517	51497	SEAL RING 17x12x1,5	1 ST
520	05514	LOCKING SCREW 1/8"NPTF	2 ST
532	05514	LOCKING SCREW 1/8"NPTF	1 ST
570	06082	SIGHT GLASS ø60	1 ST

580	05402	HEX.HEAD SCREW M6X16	3 ST
590	06218	O-RING ø32,99x2,62	1 ST
600	06236	RING SCREW M12	1 ST
625	07803	NON-RETURN VALVE ø12 CPL.	1 ST
720	51019	MOTOR COVER,WITH BUSH	1 ST
721	51022	GASKET-BEARING FL.+MOTOR COVER	1 ST
740	05455	HEX.HEAD SCREW M10X110	14 ST
745	06882	HEX.HEAD SCREW M10X170	1 ST
782	51475	THRUST WASHER ø78Xø52X2	1 ST
790	06654	FEATHER KEY A12X8X50 DIN 6885	1 ST
800	51507	SAFETY SHEET	1 ST
810	50697	GROOVE NUT M40x1,5	1 ST
1060	06559	GASKET-TERMINAL BOARD	1 ST
1100	60041	HEX.HEAD SCREW M6X10 - A2	1 ST
1120	06043	LOCK WASHER S M6	12 ST
1121	05193	LOCK WASHER S M6 - A2	1 ST
1160	06626	HEX.HEAD SCREW M6X10	6 ST
1177	51504	SPACER SLEEVE 22KW FOR HG(X)56e/1155-4	1 ST
1179	51638	FEATHER KEY A5,12X5,12X70	1 ST
1190	50685	FILTER SUCTION	1 ST
1210	05111	GASKET RING 81,5X60X1	1 ST
1211	06061	HEX.HEAD SCREW M6X12 - A2	4 ST
1220	06155	HEX.HEAD SCREW M16X100	4 ST
1240	05798	SOLDERED BUSH ø54	1 ST
1242	05785	SQUARE FLANGE (NS50)	1 ST
1244	05415	HEX.HEAD SCREW M16X50	4 ST
1250	05797	CAP NUT M36X1,5	1 ST
1251	05528 05545 05800	UNION NUT 7/16"UNF SEALING CAP 7/16"UNF SCREW-IN FITTING DIN 8906	1 ST 1 ST 1 ST
1260	05112	GASKET RING 75X61X1,0	1 ST
1520	80939	SET-FIXING PARTS INDIVIDUALLY ADDED	1 ST
1999		----- ASSEMBLY KITS -----	1 ST
2000	80966	SET-VALVE PLATE	3 ST
2005	08459	SET-DECOMPRES.VALVE M24X1,5	1 ST
2020	80950	SET-OIL PUMP	1 ST
2030	80945	SET-PISTON ø70 (CONT.+OPTIM.)	6 ST
2040	81189	SET-PISTON-CONN.W.2 RINGS/70	6 ST

2050	80952	SET-CRANKSHAFT 50 STROKE	1 ST
2060	08082	SET-SHUT-OFF VALVE NS32 (AL)	1 ST
2070	08087	SET-SHUT-OFF VALVE NS50	1 ST
2080	80093	SET-SIGHT GLASS ø60	1 ST
2090	81599	SET-GASKETS NOT SHOWN	1 ST
2100	81320	SET-CONNECTING ROD	6 ST
2110	81381	SET-REAR BEARING FLANGE SPARE PART FOR MACHINES WITHOUT OIL PRESSURE SENS.D-P	1 ST
	81383	SET-REAR BEA.FL.PRE-MA.F.D-P SPARE PART FOR MACHINES WITH D-P FROM FACTORY OR RE-FITTING	1 ST
2120	81368	SET-BEARING BUSH HH44e+HG56e	1 ST
2122	81369	SET-BEARING BUSH HG56e	1 ST
2125	81368	SET-BEARING BUSH HH44e+HG56e	1 ST
2130	81395	SET-MOTOR 22KW S/SS [PW50:50] FOR HG(X)56e/1155-4	1 ST
	81396	SET-MOTOR 30KW S/SS [PW50:50] FOR HG(X)56e/1155-4 S	1 ST
2150	08949	SET-TERMINAL BOARD	1 ST
2160	81397	SET-TERMINAL BOX / PA,BLUE	1 ST
2190	81042	SET-INT69 G MOTOR PROT.230V AC	1 ST
	81137	SET-INT69 G MOTOR PROT.24V DC SPECIAL VERSION	1 ST
2220	81384	SET-OIL STRAINER	1 ST
2250	81343	SET-THRUST WASHER	1 ST
2280	81735	SET-THREADED PIN	1 ST
2999		----- ACCESSORIES -----	1 ST
3000	80465	SET-START UNL.BOCK-ESS 63 FOR HG(X)56e/1155-4	1 ST
	80466	SET-START UNL.BOCK-ESS 72 FOR HG(X)56e/1155-4 S	1 ST
3250	81043	SET-INT69 G DIAGNOSE 230V AC	1 ST
3290	81449	SET-STEP PROTECTION	1 ST
3300	81372	SET-CR14 230V AC	1 ST
	81373	SET-CR14 110V AC SPECIAL VERSION	1 ST
	81374	SET-CR14 24V DC SPECIAL VERSION	1 ST
	81375	SET-CR14 12V DC SPECIAL VERSION	1 ST
3305	81386	SET-CAP.REG.CR14 230V AC WITH CYLINDER COVER	1 ST
	81387	SET-CAP.REG.CR14 110V AC WITH CYLINDER COVER SPECIAL VERSION	1 ST
	81389	SET-CAP.REG.CR14 24V DC WITH CYLINDER COVER SPECIAL VERSION	1 ST
	81388	SET-CAP.REG.CR14 24V AC WITH CYLINDER COVER SPECIAL VERSION	1 ST
	81390	SET-CAP.REG.CR14 12V DC WITH CYLINDER COVER SPECIAL VERSION	1 ST

3310	81380	SET-VALVE BODY LR14	1 ST
3311	50970	O-RING ø38X2,5	1 ST
3312	50747	O-RING ø28X2,5	1 ST
3313	50636	GASKET-VALVE FLANGE	1 ST
3320	80693	SET-SOLENOID COIL 230V AC	1 ST
	80711	SET-SOLENOID COIL 110V AC SPECIAL VERSION	1 ST
	80692	SET-SOLENOID COIL 24V DC SPECIAL VERSION	1 ST
	80782	SET-SOLENOID COIL 24V AC SPECIAL VERSION	1 ST
	80691	SET-SOLENOID COIL 12V DC SPECIAL VERSION	1 ST
3322	51589	CYLINDER COVER F.CR10+14,CPL.	1 ST
3325	51023	GASKET-UPPER VALVE PLATE	1 ST
3330	51352	HEX.HEAD SCREW M10X95	8 ST
3335	60050	CYLINDER HEAD SCREW M8X55	1 ST
3340	06271	HEX.HEAD SCREW M10X70	2 ST
3345	05646	DISC A10,5	2 ST
3360	81385	SET-CYLINDER COVER F.CR10+14	1 ST
3400	81136	SET-ADDIT.VENTILA.ø315/HG56e	1 ST
3410	06808	VENTILATOR KPL.ø315 230V AC	1 ST
3415	81134	SET-ASSEMBLY KIT F.IMP. HG56e	1 ST
3420	51325	HOLDER F.ADDITIONAL VENTILATOR	2 ST
3430	51327	SPACING ROLLER ø20X11	4 ST
3440	06278	HEX.HEAD SCREW M10X80	4 ST
3450	05445	HEX.HEAD SCREW M10X25	4 ST
3460	05646	DISC A10,5	12 ST
3470	05665	SPRING WASHER B10	4 ST
3480	05630	HEX.HEAD NUT M10	4 ST
3500	81139	SET-OIL PRESS.SAFETY SW.MP54	1 ST
3650	81382	SET-OIL PRESS.SENSOR+BEAR.FLA.	1 ST
3700	80461	SET-OIL PRESS.SENSOR/DELTA-PII	1 ST
3705	81383	SET-REAR BEA.FL.PRE-MA.F.D-P	1 ST
3710	81264	SET-OIL PRESS.SENSOR/DELTA-PII (ONLY SWITCH PART)	1 ST
3720	50225	DELTA-P/INT250 SCREW-IN PART	1 ST
3730	50050	O-RING ø10,82X1,78	1 ST
3740	05724	SEAL RING 26x20x1,5	1 ST
3745	51022	GASKET-BEARING FL.+MOTOR COVER	1 ST
3750	80987	SET-OIL TEMP.SENS.CPL.1/8"NPTF	1 ST
3800	08921	SET-THERM PROT.TH.1/8"NPTF	1 ST
3810	81045	SET-USB CONVERTER F.INT69 G D.	1 ST

3820	81047	SET-MODBUS-LAN GATEWAY	1 ST
3830	81130	SET-DP-MODBUS GATEWAY	1 ST
3950	81252	SET-OILS.HEAT.160W 230V AC	1 ST
	81592	SET-OILS.HEAT.160W 24V DC/V2A SPECIAL VERSION	1 ST
	81593	SET-OILS.HEAT.160W 360-440V AC SPECIAL VERSION	1 ST
3999	02279	REFR.MACH.OIL SP46 / 1 LTR.CAN	1 ST
	02280	REFR.MACH.OIL SP46 / 5 LTR.CAN	1 ST
	02281	REFR.MACH.OIL SP46 /20 LTR.CAN NOT SHOWN	1 ST
		ONLY FOR R22-COMPRESSORS !	
	02282	REFR.MACH.OIL SE55 / 1 LTR.CAN	1 ST
	02283	REFR.MACH.OIL SE55 / 5 LTR.CAN	1 ST
	02284	REFR.MACH.OIL SE55 /10 LTR.CAN NOT SHOWN	1 ST
	ONLY FOR X-COMPRESSORS !		