

TERMA

SINCE 1990

ONE

User Manual

Heating Element and Electric Radiator

Instrukcja użytkowania

Grzałka i grzejnik elektryczny

Betriebsanleitung

Heizpatrone und Elektroheizkörper

Mode d'emploi

Kit résistances et radiateur électrique série ONE

Manuale d'uso

Elemento elettrico riscaldante e radiatore elettrico serie ONE

Инструкция по применению

Нагревательный элемент и электрический радиатор

EN

PL

DE

FR

IT

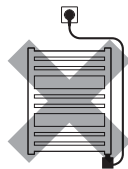
RU



Electric radiator

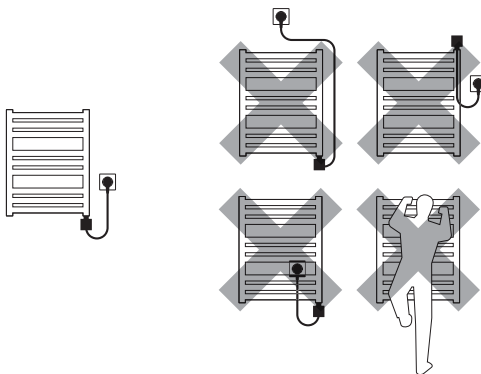
Guide to safe installation

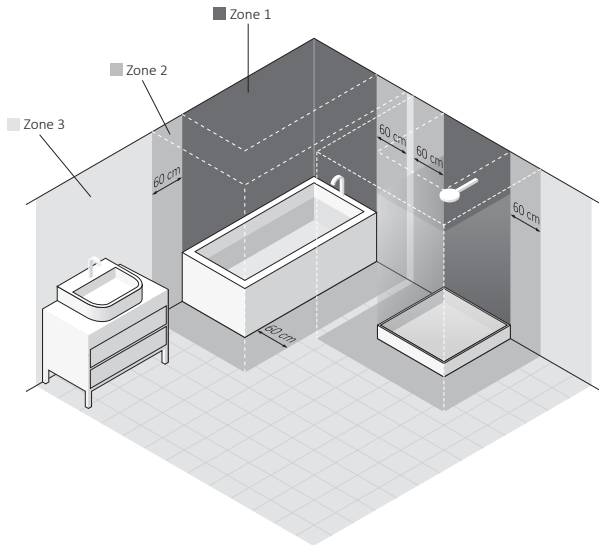
1. Do not install the radiator over or under an electrical socket point.
2. Your electric heater should be filled with a carefully measured amount of liquid. In the case of loss of heating medium, or in any other case which demands its supplementation, contact your supplier.
3. If the device is not equipped with an external temperature controller do not use the device in a small room while unsupervised disabled or incapacitated individuals are inside it. Only use the device if those individuals are under constant supervision.



4. Install the electric dryer so that the lowest tube is at least 600 mm above the floor.
5. The electric installation to which the heater is permanently connected must have the right current differential and overcurrent relay (R.C.D.) of 30 mA. An Omnipole cut-out is required for disconnecting the device on all poles, via joints positioned at least 3 mm apart.
6. The device is suitable for connection in zone 3 of a bathroom, as defined by applicable regulations, unless otherwise specified by regulations applicable in the country of installation and use.

Attention: the device must be installed out of reach of persons in the bathtub, shower or pool.





7. The device should only be installed by a qualified installer in accordance with the applicable regulations regarding safety and all other regulations.
8. All installations to which the device is connected should comply with regulations applicable in the country of installation and use.
9. Extension leads or electric plug adapters should not be used in order to supply power to the heater.
10. The device is intended for home use only. Use it solely as described in the manual.
11. Fitting and Installation of the device must be carried out in accordance with all local regulations for electrical safety, including installation within permissible locations only. Observe bathroom electrical zone regulations.

12. Ensure that the heater has been installed on a wall in accordance with its installation manual.
13. Please forward this instruction manual to the end user.

...additionally, when installing (by yourself) the heating element in a radiator.

14. Ensure that the power cord does not touch the hot parts of the heating element or radiator.
15. The heating element must be fully submerged in the heating liquid during its operation.
16. It is permitted to test the heating element in the open air (but never inside the empty radiator) for a period not longer than 3 seconds.

CAUTION: The heating element and radiator can heat up to high temperatures. Handle with caution, do not touch the hot device.

17. Never turn the heating element on in an empty radiator!
18. Before installing or removing the device, make sure it is disconnected from the power source.
19. Do not open the device — any interference with internal components will invalidate the warranty.
20. The heating element's power output must not exceed the radiators power output for the parameters 75/65/20° C.

Safety requirements — use

21. Note: Some parts of the radiator can be very hot and can cause burns. Pay special attention to the presence of children or people with disabilities.
22. The Electric radiator and the heating element are not a toy. Children under the age of 3 should not be allowed within close proximity of the device without the supervision of an adult. Children aged 3 to 8 should only be allowed to operate the heater (except the cleaning) when it has been properly installed and connected. The child must be under adult supervision or have been trained to safely operate the device while understanding the risks.
23. Children above the age of 8 and people with disabilities are allowed to operate the device. But they must be under adult supervision or have been trained to safely operate the device while understanding the risks.
24. If the device is used as a clothes and towel dryer, ensure that the fabrics drying on it have only been washed in water, avoiding contact with any harsh chemicals.

25. If the power cord is damaged the device should not be used. Unplug the device and contact the manufacturer or distributor.
26. Regularly check if the radiator is filled with a liquid. Regularly check the device for damage to ensure it is safe to use.
27. Do not allow flooding into the heating element casing.
28. The device must be disconnected from the mains during cleaning and maintenance.
29. The pressure in the radiator should not exceed 1MPa (10 bar). Ensure that an air cushion is preserved in electric radiators. In central heating systems, leave one or both valves open to prevent pressure build up due to the thermal expansion of the liquid.

Installation or disassembly

Detailed information on all possible ways of the device installation or disassembly, is available from the manufacturer or importer of the item (see footer at the bottom of the manual). Below are the most important requirements and guidelines which should be strictly followed in order to ensure a long term, unfailing operation of device.

Before installation

1. Read chapter: "Guide to safe installation".
2. If you are installing the "ONE electric radiator" go straight to point 10.
3. The device is intended for operation in a vertical position with heating element turned upwards.
4. Always use the correct radiator approved heating mediums only (water, water with addition of radiator approved anti-freeze agent only, selected types of oil).
5. Do not turn the device on if not immersed in water or other liquid as it could cause damage to thermal fuse and will not be liable for claim under warranty.

6. Ensure all necessary safety measures in order to avoid excessive pressure inside the radiator (allow the right space for airbag or leave at least one of the central heating valves open).
7. Do not fill the radiator with liquids of temperature higher than 65° C.
8. Do not install the device in central heating systems where temperature of liquid inside the system may exceed 82° C.
9. Make sure that connection "radiator — heater" is tight prior to filling the radiator with heating liquid (does not concern devices preinstalled at the manufacturer's or heater versions built-in inside the radiator.)
10. When connecting the device to installation, follow below instructions:
 - a. Brown wire — connection to live circuit (L)
 - b. Blue wire — connection to neutral circuit (N)
 - c. Yellow & green wire — connection to earth (PE).
11. For detailed installation hints – see the last pages of this manual.

Intended use

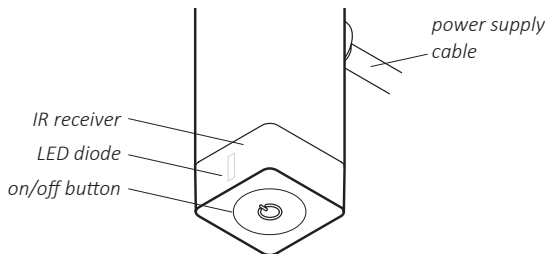
The ONE is an electric heating element device intended for installation inside water towel radiators (electric only or connected to the central heating systems). The ONE electric radiator or any radiator with the ONE heating element installed is designed for the purpose of drying clothes and / or towels or heating rooms.

Technical information

Electric data:	230 V / 50 Hz
Insulation class:	Class I
Casing protection class:	IPx5
Heating output:	120, 200, 300, 400, 600, 800, 1000 [W]
Connection types:	PW — straight cable with plug (type Z) SW — spiral cable with plug (type Z) PB — straight cable without plug (permanent connection to electric installation – see “Guide to safe installation” p.5)
Radiator connection:	thread G ½"

Functions and use

Heater One has two radiator temperature settings (45° C and 60° C) as well as automatic switch-off after 2 hours (TIMER). The on/off button is also used for the purpose of changing settings, while different colours of the LED diode indicate current setting. The device has a built-in IR receiver for wireless communication with an external controller which provides additional functions to the device.



Turning the device on and setting heating temperature

The following settings are activated by pressing of the on/off button in the following order:

1. The device is turned on and automatically set to 45° C;
2. The heater switches to 60° C;
3. The heater is turned off. Current setting is indicated by a LED diode:
 - Heater is off — diode is not on.
 - Heater is on setting 1 (45° C) — yellow light.
 - Heater is on setting 2 (60° C) — red light.

Device setting is remembered also after electricity cut-off.

Automatic switch-off (timer)

Pressing and holding of the on/off button activates the TIMER function — the heater works for 2 hours on setting 60° C, after which it switches off. Active TIMER is indicated by pulsating diode. Regardless of whether the heater is currently on or off the TIMER can be activated by pressing and holding the button. A quick press of the button then turns the device off.

Anti-freeze function

When the device is off but still has a live feed, and the temperature inside the room falls down below 6° C the device will automatically turn on and start heating. This function will prevent the heating medium inside the radiator from freezing. When this function is active every 4 seconds a flashing orange LED diode is visible.

Remote control mode (wireless communication)

If there is a dedicated IR controller inside the room, which sends signals to the heater, then, the first signal correctly received by the heater, automatically switches the device into receiving mode. When in this mode, the device will heat with the heat output dictated by the external controller while still controlling temperature not to exceed approximately 60° C. Remote mode is indicated by the diode shining with constant blue light. Every correctly received signal from the external controller is indicated by short flash of the diode. If there is a break in communication (the heater does not receive a signal from the external controller for 30 minutes), the heater will switch to a signal-awaiting mode. The blue diode will start pulsating steadily and the device will automatically turn off with the antifreeze function still active until the connection is reached again.

TIMER function can be used also in remote mode (in such a case, after the timer operation has seized, the heater will not turn off but it will return to the remote control operation).

Malfunction alerts

The device constantly monitors all parameters which may indicate its damage or any adverse phenomena, and automatically activates necessary protective procedures. Those are, amongst others: protection against operation in "dry conditions", monitoring of controlling and measuring systems, monitoring an "open window" or "free flow of water in a central heating system". All malfunction alerts are indicated by a flashing white diode.

Maintenance

- Always disconnect the device from electricity before you start cleaning the radiator.
- Recurrently check level of the heating medium inside the radiator.
- Clean the item with a dry or damp cloth with a small amount of detergent without any solvents or abrasive agents.

Before disassembly

1. Disconnect the device from electric circuit and ensure that the radiator has cooled down before you start disassembling the radiator.
2. Be careful — electric radiator filled with heating liquid may be very heavy. Ensure all necessary safety measures.
3. Prior to disassembly make sure that water inside both the radiator and installation does not cause any damage (close the valves, empty the radiator, etc. if required).

Utilization



This product should not be disposed of as general waste but should be brought to the appropriate collection point for recycling of electric and electronic devices. This information is present on the product, user manual and on packaging. Information on the appropriate point for used devices can be provided by your local authority or vendor of the product.

Thank You for your effort towards environment protection.

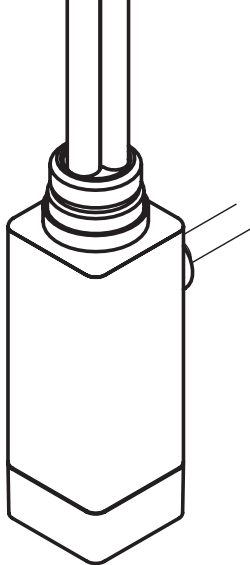
Troubleshooting

Symptom	Possible cause	Advised action	
LED diode is not on, heating element does not heat	Damaged electronics	contact Your local Distributor	
LED diode pulsing: WHITE & RED or WHITE & YELLOW	The radiator is not warming up quickly	<ol style="list-style-type: none"> 1. Check and confirm that the heating element's output is not too low for the size of radiator. 2. (Dual Fuel only) - check the flow of the heated agent is it flowing back into the central heating system, if this is the case you will need to close one of the valves (flow or return). In the case of a 'side connection' you will need to close the upper valve. If the problem continues contact Your dealer. 	
LED diode pulsing WHITE (mal-function alert)	TWO flashes	Low water level (work in dry conditions)	<ol style="list-style-type: none"> 1. May happen once or twice after switching on - this is not a malfunction; 2. If lasts longer - check the lever of heating agent level
	THREE flashes	Overheating	Check and reduce the water temperature in the central heating system-must not exceed 82 deg Check and confirm that the heating element's output does not exceed the recommended output of your radiator. Turn the heating element off with the ON/OFF button and wait for 20 min. If the radiator is still hot, disconnect it from its electrical supply - contact the Distributor.
	FOUR flashes	Temperature sensor damaged	Contact Your local Distributor
	FIVE flashes	The radiator is not warming up quickly	<ol style="list-style-type: none"> 1. Check and confirm that the heating element's output is not too low for the size of radiator. 2. (Dual Fuel only) - check the flow of the heated agent, is it flowing back into the central heating system, if this is the case you will need to close one of the valves (flow or return). In the case of a 'side connection' you will need to close the upper valve. If the problem continues contact Your dealer.

Symptom	Possible cause	Advised action
BLUE diode does not light (lack of IR communication)	Problem in the external programmer	Check the batteries Place the programmer close to the heating element and change the temperature setting - if the devices communicate correctly, LED diode lights blue and blinks after each order correctly received.
	Problem with the heating element	contact the Distributor
YELLOW and RED diode light but radiator still cool	Thermal fuse or electronics damaged	contact the Distributor
BLUE diode lights but radiator still cool	Room temperature is equal or higher than the one set in external programmer	Everything is working. To make the heating element heat you may turn on the ON mode in external programmer or the Dryer mode in the element. (Note: Turning the controller 'OFF' will not terminate the connection between the heating element and the controller, the only way to do this is to remove the batteries from the controller or move it to another room)
BLUE diode pulsing	The heating element is no longer communicating with the IR controller	Is the controller still in 'line of site' of the heating element or is it being blocked by an object or has it been placed in another room, clear the obstruction or move the controller. Check the batteries. If not and the problem still exists - contact the Distributor

Construction of the device as well as physical characteristics of different heating mediums, may cause an uneven temperature distribution in the radiator, which may cause that bottom pipes as well as the the highest one can be cold. This type of behavior is absolutely normal and is not an effect of the heater malfunction.





Instrukcja użytkowania

Grzałka elektryczna

ONE

EN

PL

DE

FR

IT

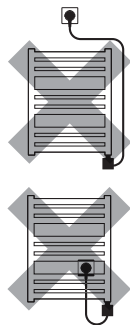
RU



Grzejnik elektryczny

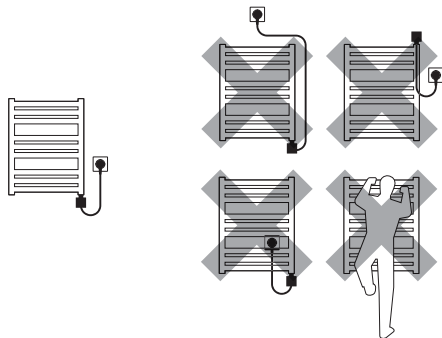
Wymagania bezpieczeństwa - instalacja

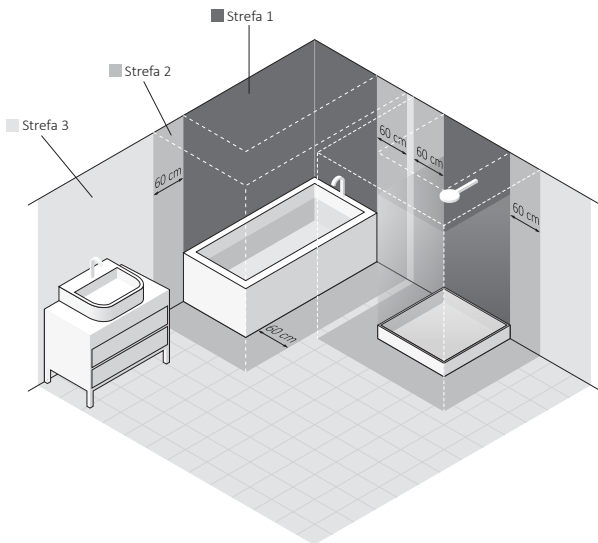
1. Nie instaluj grzejnika bezpośrednio pod gniazdkiem elektrycznym.
2. Grzejnik elektryczny powinien być wypełniony dokładnie odmierzoną ilością cieczy. W przypadku stwierdzenia ubytku czynnika grzewczego oraz w każdym innym wymagającym jego uzupełnienia skontaktuj się ze sprzedawcą.
3. Jeśli urządzenie nie jest wyposażone w regulator temperatury pomieszczenia, to nie używaj go w małych pomieszczeniach, gdy znajdują się w nich osoby niezdolne do samodzielnego opuszczenia pomieszczenia, chyba że jest zapewniony stały nadzór.



4. Suszarka elektryczna do ubrań lub ręczników powinna być zainstalowana tak, aby najniższa rurka znajdowała się co najmniej 600 mm nad podłogą.
5. Przy podłączeniu urządzenia do instalacji elektrycznej na stałe należy zapewnić, aby obwód, do którego podłączone jest urządzenie, posiadał właściwy wyłącznik nadmiarowo-prądowy oraz różnicowo-prądowy (R.C.D.) o czułości 30 mA. Obowiązkowy jest również wyłącznik umożliwiający rozłączenie urządzenia na wszystkich biegunach za pomocą styków o odstępnie 3 mm.
6. W łazience, urządzenie może być zainstalowane wyłącznie w strefie 3, zdefiniowanej przez właściwe przepisy, chyba, że odrębne regulacje stanowią inaczej.

UWAGA: Grzejnik musi znajdować się poza zasięgiem osoby korzystającej z wanny, brodzika lub basenu.





7. Urządzenie powinno być instalowane wyłącznie przez wykwalifikowanego instalatora zgodnie ze wszystkimi obowiązującymi regulacjami dotyczącymi bezpieczeństwa i pozostałymi przepisami.
8. Wszystkie instalacje, do których podłączone jest urządzenie, powinny być zgodne z właściwymi przepisami obowiązującymi na danym obszarze.
9. Do zasilania urządzenia nie wolno stosować przedłużaczy ani adapterów gniazdek elektrycznych.
10. Podłączaj urządzenie tylko do prawidłowo wykonanej instalacji elektrycznej (patrz dane znamionowe na grzałce).
11. Urządzenie przeznaczone jest do użytku domowego. Stosuj je wyłącznie zgodnie z jego przeznaczeniem opisanym w instrukcji obsługi.

12. Upewnij się, że grzejnik został zainstalowany na ścianie zgodnie z instrukcją jego montażu.
13. Niniejszy materiał informacyjny należy przekazać końcowemu użytkownikowi urządzenia.

...ponadto, jeśli samodzielnie instalujesz grzałkę w grzejniku:

14. Zapewnij, aby przewód zasilający nie stykał się z gorącymi elementami grzałki lub grzejnika.

15. Element grzejny podczas pracy musi być w pełni zanurzony w cieczy.
16. Dopuszcza się krótkie jednorazowe włączenie zimnej grzałki na wolnym powietrzu na okres nie dłuższy niż 3 sekundy.

UWAGA: grzałka może być bardzo gorąca. Postępuj ostrożnie.

17. Bezwzględnie nie wolno włączać grzałki w pustym grzejniku!
18. Podczas montażu lub demontażu grzałka nie może znajdować się pod napięciem.
19. Nie wolno ingerować we wnętrze urządzenia.
20. Moc grzałki nie może być większa od mocy grzejnika dla parametrów 75/65/20° C.

Wymagania bezpieczeństwa - użytkowanie

21. Urządzenie może rozgrzać się do wysokich temperatur. Zachowaj ostrożność.
22. Urządzenie elektryczne nie jest zabawką. Dzieci do lat 3 bez ciągłego nadzoru nie powinny znajdować się w bezpośrednim otoczeniu grzejnika. Dzieci w wieku od 3 do 8 lat mogą obsługiwać urządzenie (z wyjątkiem czyszczenia) wyłącznie, gdy jest on prawidłowo zainstalowane i podłączone, a dzieci są pod nadzorem lub zostały nauczone bezpiecznej obsługi i zrozumiały istniejące zagrożenia.
23. Urządzenie może być używane przez dzieci powyżej 8 roku życia oraz osoby o ograniczonej sprawności umysłowej lub fizycznej wyłącznie pod nadzorem lub po przeszkoleniu dotyczącym zasad bezpiecznej obsługi i zagrożeń wynikających z użytkowania.
24. Jeżeli grzejnik elektryczny wykorzystywany jest jako suszarka do ubrań i ręczników, suszone mogą być wyłącznie tkaniny prane w wodzie.

25. Jeżeli przewód zasilający uległ uszkodzeniu, urządzenie nie nadaje się do użytku. Odłącz od zasilania i skontaktuj się z producentem lub dystrybutorem.
26. Regularnie sprawdzaj, czy urządzenie nie jest uszkodzone, czy grzejnik jest wypełniony cieczą i czy użytkowanie jest bezpieczne.
27. Nie dopuszczaj do zalania obudowy sterownika.
28. Czyszczenie można wykonywać wyłącznie po odłączeniu urządzenia od sieci zasilającej.
29. Ciśnienie w grzejniku nie może przekroczyć 1MPa. Zapewnij poduszkę powietrzną w grzejniku elektrycznym, a w grzejniku c.o. pozostaw 1 z zaworów instalacji otwarty, aby nie dopuścić do nagłego wzrostu ciśnienia na skutek rozszerzalności cieplnej cieczy.

Instalacja lub demontaż

Szczegółowe informacje o różnych sposobach instalacji lub demontażu grzałki w grzejniku dostępne są u producenta lub importera (patrz stopka na końcu instrukcji). Poniżej zestawione zostały podstawowe wymagania i zasady, których należy bezwzględnie przestrzegać, aby zapewnić długotrwałą niezawodną pracę urządzenia.

Uwagi przed instalacją:

1. Przeczytaj rozdział: „WYMAGANIA BEZPIECZEŃSTWA – INSTALACJA”
2. Jeśli instalujesz Grzejnik elektryczny ONE, przejdź do punktu 10 poniżej.
3. Grzałka przeznaczona jest do pracy w pionie z elementem grzejnym skierowanym do góry.
4. Stosuj właściwe czynniki grzewcze (woda, woda z dodatkiem środka antyzamarzaniowego, niektóre typy olejów).

5. Zapewnij środki ochrony przed zbyt dużym wzrostem ciśnienia w grzejniku (poduszka powietrzna lub otwarty co najmniej jeden z zaworów instalacji c.o.).
6. Nie zalewaj grzejnika cieczą o temperaturze wyższej niż 65°C.
7. Nie stosuj grzałki w instalacjach c.o., gdzie temperatura cieczy w instalacji może przekroczyć 82°C. Grozi to uszkodzeniem bezpiecznika termicznego i nie podlega naprawie gwarancyjnej.
8. Przed zalaniem grzejnika upewnij się, że połączenie grzałki i grzejnika gwarantuje szczelność.
9. Nie włączaj urządzenia, jeżeli występuje ryzyko, że element grzejny nie jest w pełni zalany cieczą. Grozi to przepaleniem bezpiecznika termicznego i nie podlega naprawie gwarancyjnej.
10. Przy podłączaniu urządzenia na stałe do instalacji, stosuj się do następujących wytycznych:
 - a. Żyła brązowa – podłączenie do obwodu fazowego (L).
 - b. Żyła niebieska – podłączenie do obwodu neutralnego (N).
 - c. Żyła żółto/zielona – podłączenie do uziemienia (PE).
11. Szczegółowe wskazówki instalacyjne znajdują się na końcu niniejszej instrukcji.

Przeznaczenie

Grzałka One jest elektrycznym urządzeniem grzewczym przeznaczonym do montażu w rurkowych grzejnikach c.o. (samodzielnych lub podłączonych do instalacji c.o.).

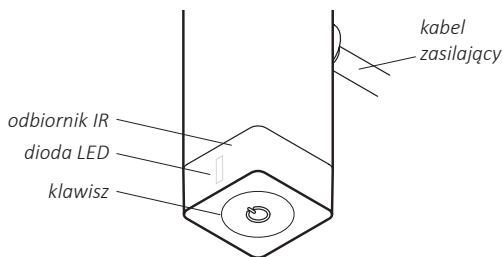
Grzejnik elektryczny ONE oraz dowolny grzejnik z zainstalowaną Grzałką One służą do suszenia ubrań, ręczników lub ogrzewania pomieszczeń poza sezonem grzewczym.

Dane techniczne

Zasilanie:	230 V / 50 Hz
Klasa izolacji:	Class I
Stopień ochrony obudowy:	IPx5
Moc urządzenia:	120, 200, 300, 400, 600, 800, 1000 [W]
Oznaczenie kabla zasilającego:	PW — Kabel prosty z wtyczką SW — Kabel spiralny z wtyczką PB — Kabel prosty bez wtyczki (podłączenie na stałe do instalacji elektrycznej – zob. „Wymagania bezpieczeństwa- instalacja”: pkt 5)
Przyłącze grzejnikowe:	gwint G ½"

Dostępne funkcje i obsługa

Sterownik One posiada dwie nastawy temperatury grzejnika (45°C i 60°C) oraz funkcję automatycznego wyłączenia grzania po upływie 2 godzin (Funkcja TIMER). Przycisk sterujący umożliwia przełączanie pomiędzy poszczególnymi nastawami, natomiast kolor świecenia diody LED wskazuje aktualnie włączoną funkcję.



Urządzenie wyposażone jest w odbiornik podczerwieni (IR) do komunikacji bezprzewodowej z zewnętrznym programatorem ściennym, który pozwala rozszerzyć funkcjonalność urządzenia.

Włączanie i ustawianie temperatury grzania

Krótkie naciśnięcie przycisku powoduje włączenie urządzenia, a kolejne naciśnięcia przełączają kolejne nastawy (w pętli).

Dioda LED pokazuje aktualną nastawę:

- Grzanie wyłączone – dioda nie świeci
- Grzanie włączone na nastawie 1 (45°C) – dioda świeci na żółto
- Grzanie włączone na nastawie 2 (60°C) – dioda świeci na czerwono

Stan urządzenia (nastawa) jest zapamiętywany także po odłączeniu od zasilania.

Funkcja automatycznego wyłączenia (TIMER)

Dłuższe przytrzymanie klawisza uruchamia funkcję TIMER- grzałka pracuje przez 2 godz. na nastawie 60°C, po czym się wyłącza. Uruchomioną funkcję TIMER wskazuje pulsująca dioda. Niezależnie od tego, czy grzałka jest włączona czy wyłączona, TIMER można uruchomić poprzez dłuższe przytrzymanie przycisku, natomiast krótkie naciśnięcie wyłącza go.

Funkcja zabezpieczenia przeciwzamarzaniowego

Jeżeli sterownik jest wyłączony, a temperatura w grzejniku spadnie poniżej 6°C, to urządzenie automatycznie włączy się i zacznie grzać, zabezpieczając czynnik w środku przed zamarznięciem, a grzejnik przed uszkodzeniem.

Wykrycie zbyt niskiej temperatury sygnalizowane jest przez diodę LED krótkimi, pomarańczowymi błyskami w odstępie co 4 sek.

Tryb sterowania zdalnego (komunikacja bezprzewodowa)

Jeżeli w pomieszczeniu znajduje się odpowiedni programator IR, który wysyła sygnały sterujące, to pierwszy prawidłowo odebrany sygnał w grzałce spowoduje jej automatyczne przełączenie w stan odbioru. W tym stanie, urządzenie grzeje z mocą wskazaną przez programator zewnętrzny, jednak nadal kontroluje, aby temperatura grzejnika nie przekroczyła ok. 60°C. Tryb zdalny sygnalizowany jest stałym świeceniem diody na niebiesko. Każde poprawne odebranie komunikatu zdalnego (lub sygnału kontrolnego) wywołuje krótkie mignięcie niebieskiej diody. Jeżeli nastąpi utrata komunikacji na okres dłuższy, niż 30 minut, to urządzenie przejdzie w stan oczekiwania na sygnał. Dioda niebieska zacznie równomiernie pulsować, a urządzenie wyłączy się utrzymując jedynie ochronę przeciwzamarzaniową, do czasu, aż uda się ponownie nawiązać połączenie.

W trybie zdalnym można aktywować funkcję TIMER (w tym wypadku, po zakończeniu odmierzenia czasu, grzałka nie wyłączy się, a powróci do odbioru komunikatów ze zdalnego programatora).

Sygnalizacja stanów alarmowych

Urządzenie monitoruje na bieżąco parametry, które mogą świadczyć o uszkodzeniu grzałki lub zjawiskach niepożądanych i w razie konieczności uruchamia odpowiednie procedury ochronne. Są to m.in. ochrona przed ryzykiem uszkodzeniem przy "pracy na sucho", kontrola działania układów sterujących i pomiarowych, kontrola „otwartego okna” lub „otwartego obiegu wody w instalacji c.o.". Wszystkie stany alarmowe sygnalizowane są przez diodę LED błyskaniem światłem białym.

Konserwacja

- Przed wykonaniem czynności konserwacyjnych zawsze odłączaj urządzenie od sieci.
- Okresowo sprawdzaj poziom cieczy w grzejniku.
- Czyść produkt wyłącznie na sucho lub wilgotną szmatką z małą ilością detergentu bez zawartości rozpuszczalników i materiałów ściernych.

Uwagi przed demontażem:

- Przed rozpoczęciem demontażu odłącz trwale urządzenie od sieci zasilającej i upewnij się, że grzejnik nie jest gorący.
- Uważaj- grzejnik elektryczny wypełniony cieczą może być bardzo ciężki.
- Przed demontażem grzałki z grzejnika c.o. upewnij się, że woda (czynnik) znajdująca się w instalacji i wewnątrz grzejnika nie spowoduje szkody (w razie potrzeby zakręć właściwe zawory, opróżnij grzejnik, itp.)

Utylizacja



Niniejszy produkt jest urządzeniem elektrycznym i podlega specjalnym wymaganiom dotyczącym gospodarowania odpadami elektrycznymi i elektronicznymi. Nie wyrzucaj go z innymi odpadami komunalnymi. Po zakończeniu użytkowania należy oddać go do punktu zbiórki i recyklingu urządzeń elektrycznych. Szczegółowych informacji udzieli Państwu punkt sprzedaży lub producent. Dziękujemy za wkład w ochronę środowiska.

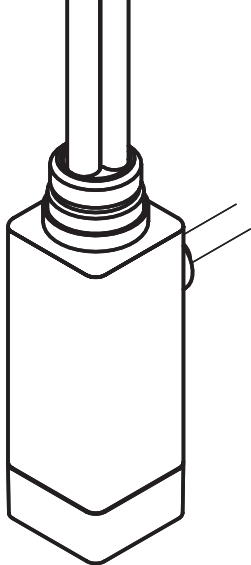
Rozwiązywanie problemów

Objaw	Możliwa przyczyna	Działanie zalecane	
Dioda LED nie świeci, grzałka nie grzeje	uszkodzenie elektroniki	skontaktuj się ze sprzedawcą.	
Dioda LED pulsuje: biało-czerwono lub biało-żółto	prawdopodobna ucieczka ciepłej wody do instalacji	<ol style="list-style-type: none"> 1. upewnij się, że moc grzałki jest prawidłowo dobrana do mocy grzejnika (nie jest zbyt niska) 2. Jeżeli grzejnik jest podłączony do instalacji c.o. sprawdź, czy ciepło nie ucieka przez górny zawór (pamiętaj: JEDEN zawór zawsze musi pozostać otwarty). 	
Dioda LED pulsuje w kolorze białym (grzałka zgłasza stan alarmowy)	2-krotne mignięcie	praca na sucho	jeżeli sygnalizacja nie jest jednorazowa "krótko po włączeniu" to upewnij się, że w grzejniku jest właściwy poziom czynnika grzewczego.
	3-krotne mignięcie	przegrzanie	sprawdź i ew. obniż temperaturę wody w instalacji c.o. lub upewnij się, że moc grzałki nie jest zbyt wysoka w stosunku do mocy grzejnika. Wyłącz grzałkę przyciskiem ON/OFF i odczekaj 20 minut. Jeżeli grzejnik nadal będzie gorący mimo wyłączenia - skontaktuj się ze sprzedawcą.
	4-krotne mignięcie	uszkodzenie czujnika temperatury	skontaktuj się ze sprzedawcą.
	5-krotne mignięcie	bardzo prawdopodobna ucieczka ciepłej wody do instalacji	<ol style="list-style-type: none"> 1. upewnij się, że moc grzałki jest prawidłowo dobrana do mocy grzejnika (nie jest zbyt niska) 2. Jeżeli grzejnik jest podłączony do instalacji c.o. sprawdź, czy ciepło nie ucieka przez górny zawór (pamiętaj: JEDEN zawór zawsze musi pozostać otwarty).

Objaw	Możliwa przyczyna	Działanie zalecane
nie zapala się dioda niebieska na grzałce (brak komunikacji bezprzewodowej)	problem z nadajnikiem naściennym	sprawdź baterie w programatorze Zbliź programator do grzałki i zmień jego nastawę - jeżeli komunikacja jest prawidłowa, to dioda świeci się na niebiesko i po każdym prawidłowo otrzymanym rozkazie - dioda mignie.
	problem z grzałką	skontaktuj się ze sprzedawcą.
grzałka świeci na żółto lub czerwono, ale grzejnik jest zimny	prawdopodobnie uszkodzony bezpiecznik termiczny lub elektronika.	skontaktuj się ze sprzedawcą.
grzałka świeci na niebiesko, ale grzejnik jest zimny	temperatura w pomieszczeniu jest wyższa lub równa temperaturze ustawionej na sterowniku naściennym	prawidłowe zachowanie grzałki. Chcąc włączyć grzałkę na grzanie można uruchomić tryb Turbo w sterowniku lub timer 2H w grzałce (ustawienie sterownika naściennego na OFF nie powoduje wyłączenia sterownika i rozłączenie komunikacji - aby permanentnie zablokować komunikację IR należy wyjąć baterie ze sterownika lub schować go w innym pomieszczeniu)
dioda grzałki pulsuje na niebiesko	utrata komunikacji z nadajnikiem IR	sprawdź, czy nie jest zasłonięta grzałka lub sterownik; sprawdź baterie w sterowniku; Jeśli problem nie ustępuje- skontaktuj się ze sprzedawcą

Konstrukcja urządzenia, jak również właściwości fizyczne czynnika grzewczego mogą spowodować nierównomierny rozkład temperatury na grzejniku, również taki, że najwyższa oraz dolne rurki grzejnika będą zimne. Taki stan jest całkowicie normalny i nie jest efektem wadliwej pracy urządzenia.





Betriebsanleitung

Heizpatrone und Elektroheizkörper

ONE

EN

PL

DE

FR

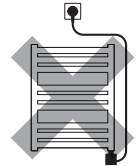
IT

RU

Elektroheizkörper

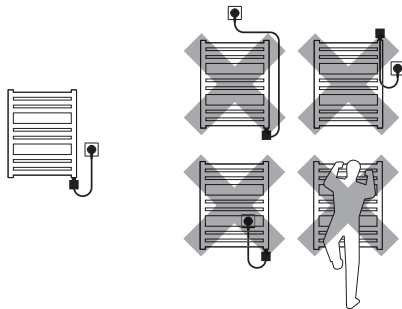
Sicherheitsanforderungen - Installation

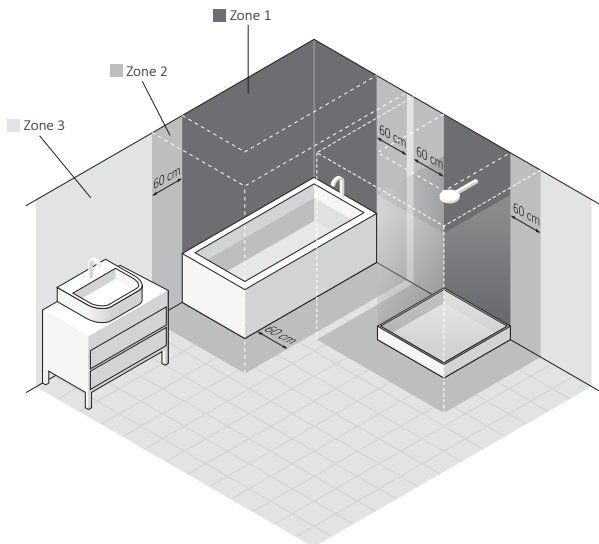
1. Der Heizkörper darf nicht direkt über der Steckdose installiert werden.
2. Der Elektroheizkörper muss mit einer genau abgemessenen Menge Flüssigkeit befüllt werden. Im Falle des Verlustes des sich im Heizkörper befindlichen Heizmediums oder bei jedem weiteren Ergänzen wenden Sie sich bitte an Ihren Verkäufer.
3. Wenn das Gerät nicht mit einem Raumtemperaturregler ausgestattet ist, darf es nicht in kleinen Räumen verwendet werden, in den sich Personen befinden die den Raum nicht selbständig verlassen können, es sei denn es besteht eine ständige Aufsicht.



4. Elektrische Trockner für Wäsche oder Handtücher sollen so installiert sein, dass das unterste Rohr mindestens 600mm über dem Boden ist.
5. Vor Anschluss des Gerätes an die vorhandene elektrische Installation stellen Sie sicher, dass der Stromkreis, an den das Gerät angeschlossen ist, über einen Überstromschutzschalter und einen FI (R.C.D) mit einer Empfindlichkeit von 30mA verfügen. Obligatorisch ist darüber hinaus ein Schalter, der die Trennung des Gerätes auf allen Polen, mit Hilfe von Kontakten, um mindestens 3mm ermöglicht.
6. In Badezimmern darf das Gerät ausschließlich in Zone 3 (die in den gültigen Vorschriften festgelegt ist) installiert werden, es sei denn, gesonderte Bestimmungen sehen etwas anderes vor.

ACHTUNG: Der Heizkörper muss sich außerhalb der Reichweite von Personen in der Wanne, Dusche oder Schwimmbad befinden.





7. Das Gerät sollte nur von einem qualifizierten Fachmann in Übereinstimmung mit allen geltenden Sicherheitsvorschriften und sonstigen Bestimmungen installiert werden.
8. Alle Installationen, an die das Gerät angeschlossen ist, müssen den in Ihrem Land geltenden Vorschriften entsprechen.
9. Zum Anschluss des Gerätes dürfen keine Verlängerungskabel oder Adapter verwendet werden.
10. Schließen Sie das Gerät ausschließlich an eine ordnungsgemäß ausgeführte Installation an (Beachten Sie die Kennzeichnung auf der Heizpatrone).
11. Das Gerät ist nur für den Hausgebrauch vorgesehen. Verwenden Sie das Gerät ausschließlich zweckgemäß und in Übereinstimmung mit der Betriebsanleitung.

12. Vergewissern Sie sich, dass der Heizkörper gemäß Betriebsanleitung richtig auf der Wand montiert worden ist.
13. Dieses Informationsmaterial muss an den Endbenutzer des Gerätes weitergeleitet werden.

...darüber hinaus, falls Sie selber die Heizpatrone im Heizkörper installieren:

14. Vergewissern Sie sich, dass das Netzkabel nicht im Berührung mit den heißen Elementen der Heizpatrone oder des Heizkörpers kommt.
15. Das Heizelement muss im Betrieb vollständig in die Flüssigkeit eingetaucht sein.
16. Es ist möglich die kalte Heizpatrone außerhalb des Heizkörpers einmalig für einen Zeitraum von nicht länger als 3 Sekunden einzuschalten. ACHTUNG: Die Heizpatrone kann sehr heiß sein. Gehen Sie vorsichtig vor.
17. Auf keinen Fall die Heizpatrone in einem leeren Heizkörper verwenden.
18. Während der Montage oder Demontage muss der Netzstecker gezogen sein.
19. Ein Eingriff in das Gerät ist nicht erlaubt.
20. Die Leistung der Heizpatrone darf nicht höher sein wie die Leistung des Heizkörpers bei den Parametern 75/65/20° C.

Sicherheitsanforderungen

- Benutzung

21. Das Gerät kann sich bis zu hohen Temperaturen erhitzen. Seien Sie beim Kontakt vorsichtig
22. Elektrische Geräte sind kein Spielzeug. Kinder bis 3 Jahre sollten sich ohne Aufsicht nicht in unmittelbarer Nähe der Heizung aufhalten. Kinder im Alter von 3 bis 8 Jahren können das Gerät (außer Reinigung) unter Aufsicht oder nach eingehender Schulung, über die sichere Bedienung und die bestehenden Gefahren, benutzen, wenn das Gerät ordnungsgemäß installiert und angeschlossen wurde.
23. Das Gerät darf von Kindern ab 8 Jahren und Personen mit eingeschränkter geistiger oder körperlicher Leistungsfähigkeit nur unter Aufsicht oder nach einer Schulung, in den Grundsätzen über die sichere Benutzung und die Risiken, verwendet werden.
24. Wenn die elektrische Heizung als Trockner für Wäsche und Handtücher benutzt wird, dürfen die zu trocknenden Textilien ausschließlich in Wasser gewaschen werden.

25. Wenn das Kabel beschädigt ist, dann darf man das Gerät nicht benutzen. Ziehen Sie das Netzkabel und wenden Sie sich an den Hersteller oder Verkäufer.
26. Überprüfen Sie regelmäßig, dass das Gerät nicht beschädigt, der Heizkörper mit ausreichend Heizmedium gefüllt und die Benutzung sicher ist.
27. Vermeiden Sie eine Überschwemmung des Steuerungsgehäuses.
28. Die Reinigung darf nur nach Trennung des Gerätes vom Stromnetz erfolgen.
29. Der Druck im Heizkörper darf 1 MPa nicht übersteigen. Sorgen Sie unbedingt dafür, dass in elektrischen Heizkörpern ein Luftkissen verbleibt und in Heizkörpern, die an die Zentralheizung angeschlossen sind (bei Elektrobetrieb) ein Ventil geöffnet bleibt, um einen Druckanstieg aufgrund der thermischen Ausdehnung des Heizmediums zu verhindern.

Installation und Demontage

Detaillierte Informationen über die verschiedenen Möglichkeiten der Installation und Demontage der Heizpatrone im Heizkörper sind beim Hersteller oder Importeur verfügbar (siehe Fußzeile am Ende des Handbuchs). Nachstehend sind die Anforderungen und Regeln beschrieben, die befolgt werden müssen, um einen zuverlässigen Betrieb des Gerätes langfristig zu gewährleisten.

Wenn Sie die Heizung ONE installieren beachten Sie bitte die folgenden Schritte.

Hinweise vor der Installation:

1. Lesen Sie zunächst das Kapitel „SICHERHEITSANFORDERUNGEN – INSTALLATION“
2. Falls Sie einen betriebsbereiten Heizkörper mit installierter Heizpatrone ONE installieren, fahren Sie bitte mit Punkt 10 fort.
3. Die Heizpatrone ist für den senkrechten Betrieb, mit dem Heizelement nach oben, bestimmt.

4. Verwenden Sie ein geeignetes Heizmedium (Wasser, Wasser mit Frostschutzmittel, bestimmte Ölsorten).
5. Vermeiden Sie einen Überdruck im Heizkörper (Luftkissen belassen oder eines der Ventile zur Zentralheizung geöffnet lassen).
6. Der Heizkörper darf nicht mit einer Flüssigkeit mit einer Temperatur > 65° C befüllt werden.
7. Verwenden Sie die Heizpatrone nicht in Zentralheizanlagen, bei denen die Temperatur des Heizmediums im System 82° C überschreiten kann. Ansonsten kann die Thermo­sicherung beschädigt werden und unterliegt damit nicht der Gewährleistung.
8. Vor dem Befüllen des Heizkörpers stellen Sie bitte sicher, dass die Verbindung zwischen Heizpatrone und Heizkörper dicht ist.
9. Verwenden Sie das Gerät nicht, falls die Gefahr besteht, dass das Heizelement nicht komplett mit Flüssigkeit bedeckt ist. Dies kann zur Beschädigung der Thermo­sicherung führen und unterliegt nicht der Gewährleistung.
10. Beim Anschluss des Gerätes an das Stromnetz beachten Sie bitte folgende Richtlinien:
 - a. Braune Ader – Anschluss an Phasenleiter (L).
 - b. Blaue Ader – Anschluss an Neutralleiter (N).
 - c. Gelb/Grüne Ader – Anschluss an Schutzleiter (PE).
11. Eine ausführliche Montageanleitung finden Sie am Ende dieser Anleitung.

Verwendung

Die Heizpatrone ONE ist ein elektrisches Heizgerät bestimmt zum Einbau in ein röhrenförmiges Heizsystem (selbständig oder angeschlossen an eine Zentralheizung).

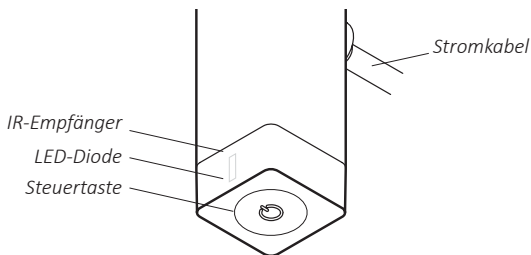
Der elektrische Heizkörper ONE sowie ein beliebiger Heizkörper mit installierter Heizpatrone ONE außerhalb der Heizperiode zum Trocknen von Kleidung, Handtüchern oder Erwärmen von Räumen genutzt werden.

Technische Daten

Netzspannung:	230 V / 50 Hz
Isolationsklasse:	Klasse I
Schutzstufe des Gehäuses:	IPx5
Geräteleistung:	120, 200, 300, 400, 600, 800, 1000 [W]
Bezeichnung des Netzka­bels:	PW — gerades Kabel mit Stecker SW — Spiralkabel mit Stecker PB — gerades Kabel ohne Stecker (permanente Verbindung zum Stromnetz)
Heizkörperanschluss:	Gewinde G ½"

Funktionen und Bedienung

Die Steuerung ONE bietet zwei unterschiedliche Heiztemperatureinstellungen (45°C und 60°C) und eine automatische Abschaltfunktion nach Ablauf von 2 Stunden (Timer-Funktion). Mittels der Steuertaste können Sie zwischen den verschiedenen Einstellungen wechseln, während Ihnen die Farbe der LED anzeigt welche Funktion aktuell aktiviert ist.



Das Gerät ist mit einer IR-Schnittstelle für die drahtlose Kommunikation mit einer externen Fernsteuerung, welche zusätzliche Funktionen anbietet, ausgerüstet.

Einschalten und Auswahl der Heiztemperatur

Durch kurzes Drücken der Taste wird das Gerät eingeschaltet. Jedes weitere Drücken schaltet um auf eine weitere Option (in einer Schleife) Die LED Diode zeigt die aktuelle Einstellung:

- Heizung ausgeschaltet – LED leuchtet nicht
- Heizung eingeschaltet auf Einstellung 1 (45°C) – LED leuchtet gelb
- Heizung eingeschaltet auf Einstellung 2 (60°C) – LED leuchtet rot

Der aktuelle Status (Einstellung) wird bei Trennung der Stromversorgung gespeichert.

Automatische Abschaltfunktion (TIMER)

Ein längeres Drücken der Taste startet die Timer-Funktion- die Heizpatrone arbeitet für 2 Stunden mit der Einstellung 60° C und wird danach ausgeschaltet. Ein laufender Timer wird durch die blinkende LED angezeigt. Unabhängig davon, ob die Heizpatrone ein- oder ausgeschaltet ist, kann der Timer durch längeres Drücken gestartet und durch kurzes Drücken der Taste ausgeschaltet werden.

Antifreeze - Funktion

Im dem Fall, dass die Steuerung ausgeschaltet ist und die Temperatur im Heizkörper unter 6° C sinkt, schaltet sich das Gerät automatisch ein und beginnt zu heizen. Dies dient zum Schutz des Heizkörpers vor Beschädigungen durch Einfrieren. Die Erkennung von zu niedrigen Temperaturen wird durch die orange LED-Diode angezeigt (kurzes Blinken alle 4 Sek.).

Fernsteuerungsbetrieb (Drahtlose Kommunikation)

Die optionale IR-Fernsteuerung sendet ein Steuersignal aus, das von dem Gerät empfangen wird. Beim Empfang des ersten richtigen Signals schaltet die Heizpatrone automatisch in den Empfängermodus. In diesem Zustand heizt das Gerät mit der durch die Fernsteuerung angegebenen Leistung und kontrolliert dabei, dass die Heizkörpertemperatur 60° C nicht übersteigt. Der Fernsteuerungsmodus wird durch eine leuchtende, blaue LED angezeigt. Jede richtig angenommene Nachricht (oder das Steuersignal) der Fernbedienung wird durch ein kurzes Aufblinker der LED angezeigt. Im Falle einer Kommunikationsstörung (innerhalb von 30 min. Wird kein Steuersignal vom Sender empfangen) schaltet das Gerät automatisch auf Signalsuche um. Dabei beginnt die blaue LED an zu pulsieren und das Gerät schaltet auf die Antifreeze-Funktion, bis eine neue Verbindung hergestellt werden kann.

Im Fernbedienungsmodus können Sie die Timer-Funktion aktivieren (nach Ablauf des Timer wird die Heizpatrone nicht ausgeschaltet, sondern kehrt in den Fernbedienungsmodus zurück).

Signalisierung von Störungen

Das Gerät überwacht ständig alle Parameter, welche die Heizpatrone beschädigen oder sonstige unerwünschte Erscheinungen verursachen können und leitet, falls erforderlich, entsprechende Sicherheitsvorkehrungen ein. Dazu gehören u.a. der Schutz vor Schaden durch Trockenlauf, Mess- und Steuerungskontrollsysteme, Kontrolle des sog. „offenen Fensters“ oder „offenen Wasserkreislaufs“ in der Zentralheizung. Eine Störung wird durch das blinken der weißen LED signalisiert.

Wartung

- Vor der Durchführung von Wartungsarbeiten muss das Gerät immer vom Stromnetz getrennt werden.
- Regelmäßig den Flüssigkeitsstand im Heizkörper prüfen
- Das Produkt nur trocken oder mit einem leicht feuchten Lappen und mit ein wenig Spülmittel (ohne Zusatz von Lösungs- oder Scheuermitteln) reinigen.

Hinweise vor der Demontage

- Vor der Demontage trennen Sie das Gerät dauerhaft vom Stromnetz und vergewissern Sie sich, dass der Heizkörper nicht heiß ist.
- Achtung – mit Heizmedium befüllte, elektrische Heizkörper können sehr schwer sein.
- Vor der Demontage einer Heizpatrone aus einem wasser- elektrischen Heizkörper stellen Sie sicher, dass das im Heizkörper und der Anlage befindende Wasser keine Schäden verursachen kann (ggf. die entsprechenden Ventile schließen, den Heizkörper entleeren etc.)

Entsorgung



Dieses Produkt ist ein elektrisches Gerät und unterliegt den besonderen Anforderungen für die Entsorgung von Elektro- und Elektronikgeräten. Entsorgen Sie es nicht mit anderen Abfällen. Nach Gebrauch geben Sie das Produkt am Ort für die Sammlung und das Recycling von elektrischen Geräten ab. Weitere Informationen erhalten Sie vom Verkäufer oder dem Hersteller. Vielen Dank für Ihren Beitrag zum Umweltschutz.

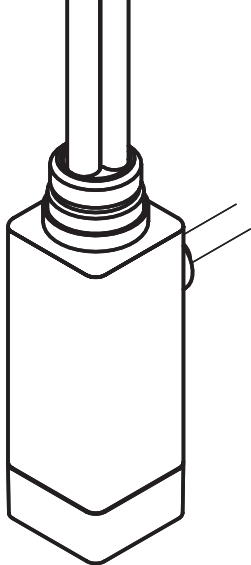
Fehlerbehebung

Problem		Möglicher Fehlergrund	Behebung
LD Diode leuchtet nicht, Heizelement heizt nicht		Elektronik beschädigt	Kontaktieren Sie den lokalen Verkäufer
LED-Diode blinkt: WEIß & ROT oder WEIß & GELB		Der Heizkörper heizt sich nicht schnell auf	<ol style="list-style-type: none"> 1. Überprüfen Sie, dass die Leistung des Heizelements nicht zu niedrig für die Größe des Heizkörpers ist 2. (Nur Kombi-Betrieb) – überprüfen Sie den Warmwasserfluss. Sollte das Wasser zurück in das Zentralheizungs-system fließen müssen Sie eines der Ventile (Vor- oder Rücklauf) schließen. Im Falle eines “Seitenanschlusses” müssen Sie das obere Ventil schließen. Falls das Problem weiterhin auftritt wenden Sie sich an Ihren Verkäufer.
LED-Diode blinkt weiß Störungsmeldung)	2-MAL Blinken	Niedriger Wasserstand (arbeitet im Trocken)	<ol style="list-style-type: none"> 1. Kann nach dem Einschalten ein- oder zweimal passieren – dies ist keine Fehlfunktion 2. Wenn es länger blinkt – überprüfen Sie den Füllstand des Heizmediums
	3-MAL Blinken	Überhitzung	Prüfen und reduzieren Sie die Wassertemperatur in der Zentralheizung – darf nicht höher als 82° C. Prüfen Sie dass die Leistung des Heizelements die empfohlene Leistung des Heizkörpers nicht überschreitet. Schalten Sie das Heizelement mit der Ein- Aus-Taste aus und warten Sie 20 min. Ist der Heizkörper weiterhin heiß, trennen Sie in von der Stromversorgung – Kontaktieren Sie Ihren Verkäufer
	4-MAL Blinken	Temperatur-sensor beschädigt	Wenden Sie sich an Ihren Verkäufer
	5-MAL Blinken	Der Heizkörper heizt sich nicht schnell auf	<ol style="list-style-type: none"> 1. Überprüfen Sie, dass die Leistung des Heizelements nicht zu niedrig ist. 2. (Nur Kombi-Betrieb) – überprüfen Sie den Warmwasserfluss. Sollte das Wasser zurück in das Zentralheizungs-system fließen müssen Sie eines der Ventile (Vor- oder Rücklauf) schließen. Im Falle eines “Seitenanschlusses” müssen Sie das obere Ventil schließen. Falls das Problem weiterhin auftritt wenden Sie sich an Ihren Verkäufer.

Problem	Möglicher Fehlergrund	Behebung
BLAUE LED leuchtet nicht (Fehler bei IR-Kommunikation)	Problem an der Fernsteuerung	Prüfen Sie die Batterien. Legen Sie die Fernsteuerung in die Nähe des Heizelements und ändern Sie die Temperatureinstellung – sollte die Verbindung hergestellt sein leuchtet die LED blau und blinkt nach jeder empfangenen Änderung.
	Problem mit dem Heizelement	Wenden Sie sich an den Verkäufer
GELBE und ROTE Diode leuchten aber der Heizkörper ist kalt	Thermosicherung oder Elektronik beschädigt	Wenden Sie sich an den Verkäufer
BLAUE Diode leuchtet aber Heizkörper ist kalt	Raumtemperatur ist gleich oder höher als in der Fernsteuerung.	Alles funktioniert. Damit das Heizelement heizt müssen Sie den ON-Modus in der Fernsteuerung einschalten oder die Trockenfunktion an der Heizpatrone (Hinweis: Das Ausschalten der Fernsteuerung beendet nicht die Verbindung zwischen Heizelement und der Fernsteuerung. Um die Verbindung zu beenden müssen Sie die Batterien aus der Fernsteuerung entfernen oder diese in einen anderen Raum bringen)
BLAUE Diode blinkt	Das Heizelement hat die Verbindung zur Fernsteuerung verloren.	Ist die Fernsteuerung noch in "Sichtlinie" zu dem Heizelement oder der Weg durch einen Gegenstand blockiert oder wurde die Fernsteuerung in einen anderen Raum gebracht, entfernen Sie das Hindernis oder bewegen Sie die Fernsteuerung. Falls nicht und das Problem weiterhin besteht – wenden Sie sich an den Händler

Die Konstruktion des Geräts als auch die physikalischen Eigenschaften des Heizmittels beeinflussen die Wärmeverteilung im Heizkörper. Es ist normal, dass das oberste Rohr und die beiden untersten eine niedrigere Temperatur als der Rest des Heizkörpers haben.





Mode d'emploi

Kit résistances électrique

ONE

EN

PL

DE

FR

IT

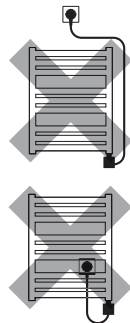
RU



Radiateur sèche-serviettes

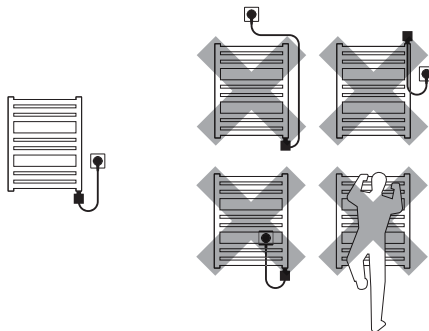
Règles de sécurité pour usage et installation

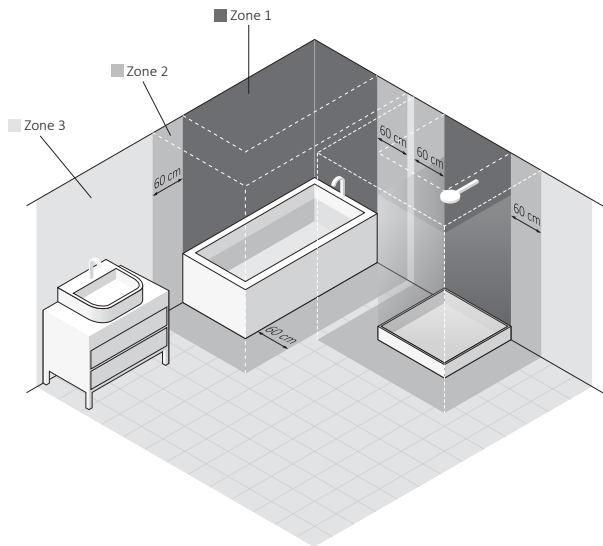
1. Ne pas installer le radiateur sèche-serviettes directement sous une prise de courant.
2. Le radiateur sèche-serviettes électrique doit être soigneusement rempli de la quantité appropriée du liquide caloporteur. En cas de perte du liquide ou chaque autre cas nécessitant son remplissage, veuillez contacter le revendeur.
3. Si l'appareil n'est pas équipé d'un régulateur de température ambiante, ne pas l'utiliser dans les petits espaces dans la présence des personnes incapables de quitter la pièce indépendamment, sauf si la surveillance constante est assurée.



4. Le radiateur sèche-serviettes doit être installé de sorte que le tube le plus bas soit positionné au minimum à 600 mm au-dessus du sol.
5. Il faut assurer que le circuit dans l'installation électrique à laquelle on raccorde le radiateur soit doté d'un disjoncteur à maximum de courant et d'un disjoncteur à minimum de courant (R.C.D.) de sensibilité 30 mA. Il est rappelé qu'un dispositif de coupure omnipolaire à l'aide des contacts de 3 mm est obligatoire.
6. Dans une salle de bains, l'appareil doit être installé uniquement dans la zone 3, définie par les règlements en vigueur, à moins que des règlements distincts en disposent autrement.

ATTENTION: Il faut que le radiateur sèche-serviettes se trouve hors de portée d'une personne utilisant le bain, la douche ou la piscine.





7. L'appareil doit être installé par un professionnel qualifié, ayant connaissance des normes de sécurité en vigueur et la mise en place dans les règles de l'art.
8. Toutes installations auxquelles l'appareil est raccordé doivent être conformes aux règlements du pays en vigueur.
9. Pour l'alimentation de l'appareil, il est interdit d'utiliser des rallonges ou des adaptateurs de prises électriques.
10. Raccorder l'appareil uniquement à l'installation électrique correctement préparée (cf. les données sur la plaque signalétique).
11. Utiliser l'appareil uniquement à des buts auxquels il a été destiné et conformément à son mode d'emploi.

12. S'assurer si le radiateur sèche-serviettes a été posé conformément au mode d'emploi.
13. Merci de passer ce matériel à l'utilisateur final de l'appareil.

...si vous installez le kit résistances dans un radiateur

14. Ne jamais laisser le câble d'alimentation toucher les éléments chauds du kit résistances ou du radiateur.
15. Lors de travail, la résistance chauffante doit être totalement immergé dans le liquide.
16. Il est admissible de mettre le ki résistances en marche une seule fois en plein air pendant une durée n'excèdent pas 3 secondes.

ATTENTION: le kit résistances peut être très chaud. Garder la prudence.
17. Il est interdit de mettre en marche l'appareil dans un radiateur muni du liquide.
18. Ne pas mettre sous tension le radiateur lors du montage ou du démontage de celui-ci.
19. Ne pas intervenir à l'intérieur du radiateur.
20. La puissance du kit résistances ne doit pas dépasser la puissance du radiateur suivant les paramètres 75/65/20°C du fabriquant.

Consignes de sécurité — usage

21. Appareil peut atteindre des températures élevées. Garder la prudence.
22. Appareil électrique n'est pas un jouet. Ne laisser sans surveillance les enfants de moins de 3 ans autour du radiateur. Les enfants de 3 à 8 ans ne peuvent utiliser l'appareil (sauf le nettoyage) raccordé et correctement installé que sous la surveillance ou après avoir été formé sur l'usage de l'appareil en toute sécurité.
23. L'appareil peut être utilisé par des enfants de plus de 8 ans et des personnes de mobilité réduite que sous la surveillance ou après avoir été formé sur l'usage de l'appareil en toute sécurité.
24. Si le radiateur électrique est utilisé pour sécher des vêtements, il faut y sécher uniquement des tissus lavés dans l'eau.
25. Le câble d'alimentation endommagé, l'appareil ne peut être plus utilisé. Débrancher l'appareil et contacter le fabricant ou le distributeur le plus proche.

26. Vérifier régulièrement si l'appareil n'est pas endommagé, si le radiateur est correctement rempli du liquide et si on peut l'utiliser en toute sécurité.
27. Ne jamais laisser le boîtier en contact avec de l'eau.
28. Nettoyer une fois l'appareil déconnecté du réseau.
29. La pression dans le radiateur ne doit pas dépasser 1 MPa. Version tout électrique: veuillez vous assurer de laisser un coussin d'air approprié afin de compenser la dilatation du fluide caloporteur. Version mixte (raccordé à l'installation eau chaude) veuillez laisser une vanne ouverte afin de laisser la libre dilatation thermique du fluide caloporteur.

Installation ou démontage

Des informations détaillées sur de différentes façons de l'installation ou du démontage du kit résistances dans le radiateur sont disponibles auprès du fabricant ou de l'importateur (voir le pied de page du présent manuel). Voici la liste des exigences et des principes de base à respecter afin d'assurer à l'appareil le fonctionnement fiable à long terme.

Si vous installez le sèche-serviettes ONE, passez à l'étape 9 ci-dessous.

Avant d'installer l'appareil:

1. Prendre connaissance du chapitre « CONSIGNES S DE SÉCURITÉ– INSTALLATION ».
2. Si vous installez le sèche-serviettes ONE, passez à l'étape 9 ci-dessous.
3. Le kit résistances est conçu pour un fonctionnement vertical avec la résistance chauffante placée verticalement.
4. Utiliser des fluides caloporteurs appropriés (l'eau, l'eau avec de l'anti-freeze, certains types de l'huiles).
5. S'assurer de laisser un coussin d'air approprié afin de compenser la dilatation du fluide caloporteur (version électrique) ou laisser une vanne ouverte afin de laisser la libre dilatation thermique du fluide caloporteur (version mixte).

6. Ne pas remplir le radiateur avec du liquide de température supérieure à 65°C.
7. Ne pas utiliser le kit résistances dans les installations où la température du liquide peut dépasser 82°C sous le risque d'une panne du fusible thermique qui n'est pas couvert par la garantie.
8. Avant de remplir le radiateur, s'assurer si la connexion du kit résistances avec le radiateur reste étanche.
9. Ne jamais mettre en marche le kit résistances si ce dernier n'est pas entièrement couvert du liquide. Risque de brûlure du fusible thermique: le cas non couvert par la garantie.
10. Brancher le kit résistances selon le schéma:
 - a. Fil marron – phase (L)
 - b. Fil bleu – neutre (N)
 - c. Fil jaune/vert – mise à la terre (PE).
11. Des consignes détaillées se trouvent à la fin du présent mode d'emploi.

Objectif de fonctionnement

Kit résistances One est un appareil électrique destiné à être installé uniquement dans des radiateurs eau chaude tubulaires (indépendants ou raccordés dans l'installation eau chaude) Le sèche-serviettes électrique ONE et chaque autre radiateur avec le kit ONE installé, servent à à sécher des serviettes et des vêtements ou à rechauffer des pièces hors la saison de chauffage.

Données techniques

Alimentation: 230 V / 50 Hz

Classe d'isolation: I

Indice de protection du
boîtier: IPx5

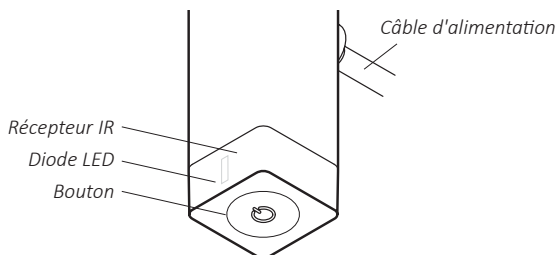
Puissance: 120, 200, 300, 400, 600, 800, 1000 [W]

Types de câble d'alimentation: PW — Câble droit avec fiche
SW — Câble spiral avec fiche
PB — Câble droit sans fiche (destiné à raccorder directement à l'installation électrique)

Raccordement: Filetage G ½"

Usage et fonctions disponibles

Le boîtier One possède deux niveaux de réglage de la température du radiateur (45°C et 60°C) et la fonction de la mise en arrêt automatique après 2 heures (fonction TIMER). Bouton de contrôle permet de basculer entre les différents réglages et la couleur de diode LED indique la fonction actuellement active.



L'appareil est équipé d'un récepteur infrarouge (IR) pour la communication sans fil avec un programmeur mural externe qui permet d'étendre les fonctionnalités d'appareil.

Mise en marche et le réglage de la température de chauffe

Appuyer brièvement sur le bouton afin de mettre l'appareil en marche. Chaque appui suivant (en boucle) permet de basculer entre les réglages.

Diode LED indique le réglage actuel:

- Chauffage mis en arrêt – diode éteinte
- Chauffage en réglage 1 (45°C) – diode allumée en jaune
- Chauffage en réglage 2 (60°C) – diode allumée en rouge

L'état de l'appareil (réglage) est mémorisé en cas de déconnexion du réseau d'alimentation.

Fonction mise en arrêt automatique (TIMER)

Maintenir plus longtemps le bouton afin d'activer la fonction TIMER – l'appareil chauffe 2 heures en réglage 60°C, ensuite l'appareil s'éteint. Fonction TIMER active est indiquée par une diode clignotante. Le kit allumé ou éteint, il est possible d'activer TIMER à tout moment en appuyant plus longtemps le bouton. Afin de l'éteindre il suffit d'appuyer brièvement.

Fonction protection hors gel (anti-freeze)

Si l'appareil est éteint et la température à l'intérieur du radiateur baisse au-dessous de 6°C, l'appareil se mettra automatiquement en marche afin de protéger le fluide calorporteur contre le gel. Fonction hors gel active est indiquée par une diode LED orange clignotant toutes les 4 secondes.

Construction de l'appareil, ainsi que les propriétés physiques des liquides, peuvent provoquer la repartition irrégulière de la température du radiateur ainsi que l'effet de la tûne supérieure et des tubes en bas froides. Cet effet est tout à fait naturel et n'est pas un résultat de l'appareil défectueux.

Mode fonctionnement à distance (communication sans fil)

Si la pièce donnée est équipée d'un programmateur mural dédié IR émettant des signaux de commande, la réception du premier signal par le boîtier du kit provoque le passage automatique de ce dernier vers l'état de la réception. A ce stade, l'appareil chauffe avec la puissance indiquée par le programmateur externe tout en contrôlant si la température du radiateur ne dépasse environ 60°C. Mode fonctionnement à distance est signalé par la diode bleue allumée en permanence. Chaque réception correcte du signal à distance (ou du signal de contrôle) provoque un court clignotement. En cas de la perte de communication entre les deux appareils (boîtier One ne reçoit pas de signal de contrôle durant 30 minutes), l'appareil se met en mode d'attente de signal. La diode bleue commence à clignoter régulièrement et l'appareil se met en arrêt tout en gardant la protection contre le gel active jusqu'au moment où la connexion entre les deux appareils sera établie à nouveau.

Il est toujours possible d'activer la fonction TIMER en mode à distance (dans ce cas, une fois deux heures passées, le kit résistances ne se mettra pas en arrêt mais commencera de réceptionner à nouveau des commandes du programmateur externe).

Alerte de panne

Appareil surveille constamment les paramètres qui peuvent indiquer des pannes ou des phénomènes indésirables et, si nécessaire, lancer des procédures de sécurité appropriées. Celles-ci comprennent la protection contre les endommagements dus à la marche à sec, le contrôle des systèmes de programmation et de mesure, le contrôle de « fenêtre ouverte » ou de « circuit d'eau de l'installation eau chaude ouvert ». Tous les états de panne sont indiqués par la diode LED clignotant en blanc.

Entretien

- Débrancher l'appareil du réseau avant chaque nettoyage.
- Vérifier régulièrement le niveau du liquide dans le radiateur.
- Nettoyer l'appareil avec un tissu propre et sec ou légèrement humide avec peu de détergent, sans des solvants et des abrasifs.

Démontage

- Avant le démontage débrancher l'appareil de la source d'alimentation. S'assurer si le radiateur n'est plus chaud.
- Attention. Le sèche-serviettes électrique rempli du liquide peut être très lourd.
- Avant le démontage du radiateur mixte, fermer les vannes et enlever l'eau du radiateur.

Recyclage



Ce produit est un appareil électrique soumis à des exigences spéciales pour la gestion des équipements électriques et électroniques usés. Ne pas jeter l'appareil avec des déchets ménagers. Après l'utilisation, veuillez le rendre au point de collecte et de recyclage des équipements électriques. Merci pour votre contribution à la protection de l'environnement.

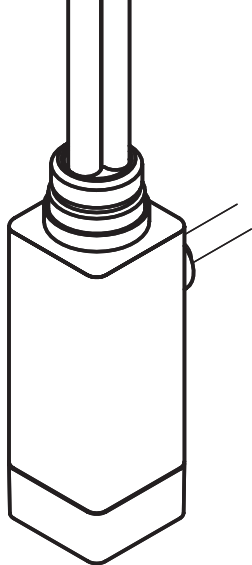
Guide de dépannage

Problème		Cause probable	Action recommandée
Diode LED n'est pas allumée, l'appareil ne chauffe pas		Partie électronique en panne	Contactez le vendeur.
Diode LED clignote: blanc-rouge ou blanc-jaune		Probable fuite de l'eau chaude dans l'installation	<ol style="list-style-type: none"> 1. S'assurer si la puissance du kit résistances est correctement assortie avec la puissance du radiateur (insuffisante). 2. Si le radiateur est raccordé à l'installation eau chaude s'assurer si le chaud ne s'en va via la vanne supérieure (attention, UNE vanne doit rester toujours ouverte).
Diode LED clignote en blanc (alerte de panne)	2-clignote-ments	Marche à sec	Si la signalisation n'arrive pas une seule fois juste après la mise en marche, s'assurer si le niveau du liquide dans le radiateur est correct.
	3-clignote-ments	Surchauffe	Vérifier et baisser éventuellement la température de l'eau dans l'installation ou s'assurer si la puissance du kit résistances n'est pas trop élevée pour la puissance du radiateur. Mettre le kit résistances en arrêt via le bouton ON/OFF. Patienter 20 minutes. Si le radiateur reste chaud malgré la mise en arrêt, contactez le vendeur.
	4-clignote-ments	Capteur de température en panne	Contactez le vendeur.
	5-clignote-ments	Fort probable fuite de l'eau chaude dans l'installation	<ol style="list-style-type: none"> 1. S'assurer si la puissance du kit résistances est correctement assortie avec la puissance du radiateur (insuffisante). 2. Si le radiateur est raccordé à l'installation eau chaude s'assurer si le chaud ne s'en va via la vanne supérieure (attention, UNE vanne doit rester toujours ouverte).

Problème	Cause probable	Action recommandée
La diode bleue ne s'allume pas (manque de communication sans fil)	Problème dans le programmeur mural	Vérifier les piles dans le programmeur. Rapprocher le programmeur au kit résistances et changer le réglage du kit résistances. Si la communication est correcte, la diode est bleue et clignote chaque ordre correctement reçu.
	Problème du kit résistances	Contactez le vendeur.
La diode est jaune ou rouge mais le radiateur reste froid	Panne de fusible thermique ou de la partie électronique.	Contactez le vendeur.
La diode est bleue mais le radiateur reste froid	Température ambiante est supérieure ou égale la température réglée sur le programmeur mural.	Fonctionnement correct des appareils. Si on veut régler le kit sur la position chauffage, il est possible de mettre en marche la fonction Turbo dans le programmeur ou timer 2H dans le kit résistances (réglage du programmeur mural sur la position OFF n'égale pas la perte de communication entre les appareils. Afin de bloquer la communication IR, il faut enlever les piles du programmeur mural ou le mettre dans une autre pièce de l'habitation).
Diode clignote en bleu	Manque de communication avec le programmeur IR	Vérifier l'état des piles dans le programmeur. Vérifier si le kit résistances ou le programmeur n'est pas cachés ou couvert. Si tout est correct, contactez le vendeur.

Construction de l'appareil, ainsi que les propriétés physiques des liquides, peuvent provoquer la repartition irrégulière de la température du radiateur ainsi que l'effet de la tube supérieure et des tubes en bas froides. Cet effet est tout à fait naturel et n'est pas un résultat de l'appareil défectueux.





Manuale d'uso

Elemento elettrico riscaldante

ONE

EN

PL

DE

FR

IT

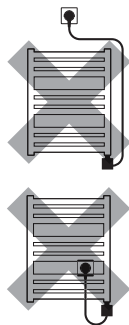
RU



Radiatore elettrico

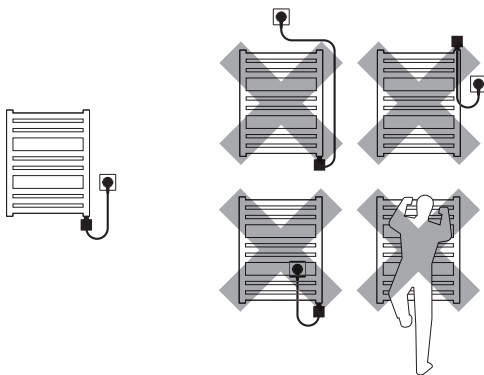
Guida ad una installazione ed ad un utilizzo sicuro

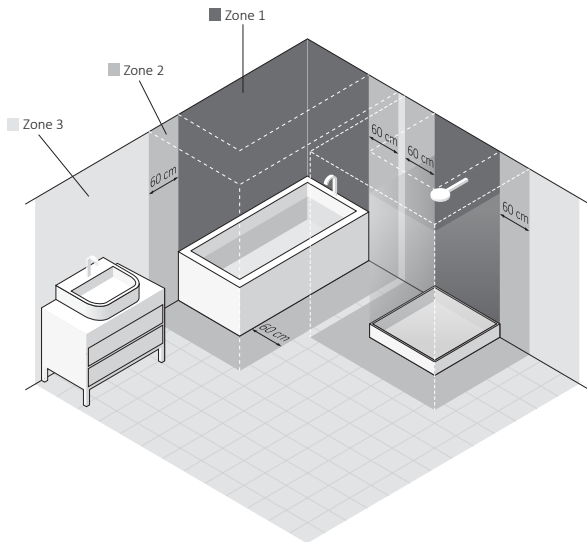
1. Non installare il radiatore sopra o sotto la presa di corrente.
2. Il tuo radiatore elettrico deve essere riempito con una quantità di liquido accuratamente misurata. In caso di perdita del liquido di riscaldamento o per qualsiasi altra informazione, contattare il rivenditore.
3. Se un dispositivo non è dotato di un regolatore di temperatura ambiente, non utilizzare il dispositivo in piccole stanze mentre ci sono disabili senza supervisione. Utilizzare il dispositivo solo se queste persone sono sotto un controllo costante.
4. Installare lo scaldasalvietta in modo tale che il tubo più basso del radiatore sia ad almeno 600 mm sopra il sopra il pavimento.



5. È obbligatorio che l'impianto elettrico a cui è permanentemente collegato il dispositivo abbia il giusto differenziale di corrente e il relè di sovracorrente (RCD) di 30 mA. È anche obbligatorio un interruttore omni-polare che scolleghi il dispositivo su tutti i poli, la cui distanza di separazione deve essere di almeno 3 mm.
6. Installato nel bagno, il dispositivo è adatto all'installazione nella zona 3, come definito dalle normative vigenti, se non diversamente specificato dalle normative vigenti nel paese dove questo viene installato ed utilizzato.

Attenzione: il dispositivo deve essere installato a condizione che non sia raggiungibile da persone che utilizzano la vasca da bagno, la doccia o la piscina.





7. L'apparecchio deve essere installato solo da un installatore qualificato in conformità con tutte le normative vigenti in materia di sicurezza e con altre norme locali.
8. Tutti gli impianti a cui è collegato il dispositivo devono essere conformi alle normative vigenti nel paese, sia per l'installazione che per l'utilizzo.
9. Prolunghe di cavi elettrici o adattatori elettrici non devono essere utilizzati per alimentare il dispositivo.
10. Collegare l'unità ad un appropriato impianto elettrico (consultare i dati sulla targhetta).
11. L'apparecchio è destinato solo all'uso domestico. Il dispositivo è raccomandato per gli usi unicamente descritti nel manuale.
12. Assicurarsi che il dispositivo sia stato installato sulla parete conformemente al suo manuale di installazione.

13. Si prega di inoltrare questo manuale di istruzioni all'utente finale.

...inoltre, durante l'installazione (da sè) dell'elemento riscaldante nel radiatore

14. Assicurarsi che il cavo di alimentazione non tocchi le parti calde della resistenza o del radiatore.

15. La resistenza del dispositivo deve essere completamente immersa nel liquido durante il suo funzionamento.

16. È consentito testare la resistenza all'aria aperta per un periodo non superiore a 3 secondi.

ATTENZIONE: l'elemento riscaldante e il radiatore possono riscaldare fino a temperature elevate. Maneggiare con cautela, non toccare il dispositivo caldo.

17. Mai accendere l'elemento riscaldante in un radiatore vuoto!

18. Prima di installare o rimuovere il dispositivo, assicurarsi che sia scollegato dall'impianto elettrico.

19. Non aprire il dispositivo - qualsiasi interferenza con i componenti interni invaliderà la garanzia.

20. La potenza elettrica della resistenza non deve superare la potenza termica del radiatore secondo i parametri 75/65/20° C.

Requisiti di sicurezza – utilizzo

21. Durante il funzionamento, alcune parti del radiatore possono essere molto calde e possono causare scottature. Prestare particolare attenzione alla presenza di bambini o di persone con disabilità.
22. Il dispositivo elettrico non è un giocattolo. Ai bambini sotto i 3 anni non dovrebbe essere consentito di stare nelle immediate vicinanze del dispositivo, senza un adeguato controllo. Ai bambini dai 3 agli 8 anni dovrebbe essere solo consentito di azionare il dispositivo (tranne la pulizia) quando questo è correttamente installato e collegato.
23. I bambini sopra gli 8 anni e la gente con disabilità possono utilizzare il dispositivo, ma devono essere sotto la supervisione di un adulto o devono essere stati addestrati ad operare in sicurezza avendone compreso i rischi.
24. Se il dispositivo è usato come asciugatore di vestiti e di asciugamani, assicurarsi che i capi che verranno asciugati sul radiatore siano stati lavati in sola acqua, evitando il contatto con sostanze chimiche aggressive.

25. Se il cavo di alimentazione è stato danneggiato il dispositivo non deve essere utilizzato. Scollegare il dispositivo e contattare il produttore o il distributore.
26. Controllare regolarmente se il radiatore è riempito con un liquido. Controllare regolarmente che il dispositivo non sia danneggiato per assicurarsi che sia sicuro da usare.
27. Non permettere che la custodia dell'elemento riscaldante venga sommersa o bagnata.
28. L'apparecchio deve essere scollegato dall'impianto elettrico durante la pulizia e la manutenzione.
29. La pressione nel radiatore non deve superare le 10 atm. Per evitare un accumulo eccessivo di pressione causato dall'espansione termica del liquido, nei radiatori elettrici assicurarsi di lasciare un'adeguata quantità d'aria (cuscino d'aria), mentre nei radiatori misti, cioè collegati agli impianti di riscaldamento, lasciare una valvola aperta.

Installazione o disassemblaggio

Le informazioni dettagliate su tutte le possibili modalità di installazione o di disassemblaggio del dispositivo, sono disponibili dal produttore o dall'importatore dell'articolo (vedere le note alla fine del manuale). Di seguito ci sono i requisiti più importanti e le linee guida che dovrebbero essere strettamente seguite per garantire un funzionamento affidabile e a lungo termine del dispositivo.

Prima dell'installazione

1. Leggere il capitolo "Requisiti di sicurezza – installazione".
2. Se state installando il "radiatore elettrico One" andare direttamente al punto 10.
3. Il dispositivo è previsto per il funzionamento nella posizione verticale con la resistenza rivolta verso l'alto.

4. Utilizzare sempre un liquido di riscaldamento appropriato (acqua, acqua con l'aggiunta di agenti anti-freeze, tipi selezionati di olio).
5. Assicurarsi di tutte le necessarie misure di sicurezza in modo da evitare una pressione eccessiva all'interno del radiatore (lasciare un'adeguata quantità d'aria o lasciare almeno una delle valvole dell'impianto di riscaldamento aperta).
6. Non riempire il radiatore con liquidi con temperature superiori ai 65° C.
7. Non installare il dispositivo in impianti di riscaldamento dove la temperatura del liquido all'interno dell'impianto potrebbe superare gli 82°C.
8. Assicurarsi che il collegamento radiatore- dispositivo sia ben stretto prima di riempire il radiatore con il liquido riscaldante.
9. Non accendere il dispositivo se la resistenza non è immersa in acqua o altri liquidi di riscaldamento del radiatore poiché potrebbe causare il danneggiamento del fusibile termico e non sarà soggetto a reclamo sotto garanzia.
10. Seguire le seguenti istruzioni quando si collega il dispositivo all'impianto elettrico:
 - a. Filo marrone – Collegamento alla fase (L).
 - b. Filo blu – Collegamento al neutro (N).
 - c. Filo giallo e verde – Collegamento alla Terra (PE).
11. Per consigli dettagliati sull'installazione – vedere le ultime pagine di questo manuale.

Destinazione d'uso

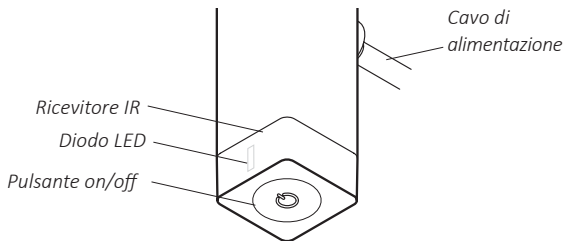
Il riscaldatore della serie One è un dispositivo elettrico riscaldante destinato all'installazione all'interno degli scaldasalviette (elettrici o misti, cioè collegati al sistema di riscaldamento). Il radiatore elettrico ONE o qualsiasi altro radiatore con installato il dispositivo della serie ONE è progettato per asciugare vestiti e/o asciugamani o per riscaldare gli interni.

Informazioni tecniche

Dati elettrici:	230 V / 50 Hz
Classe di isolamento elettrico:	Class I
Grado di protezione della custodia [IP]:	IPx5
Potenze termiche:	120, 200, 300, 400, 600, 800, 1000 [W]
Tipologie di collegamento elettrico:	PW — Cavo diretto con spina (Tipo Z) SW — Cavo a spirale con spina (Tipo Z) PB — Cavo diretto senza spina (collegamento permanente all'impianto elettrico)
Collegamento al radiatore:	filetto da G ½"

Funzioni ed utilizzo

Il riscaldatore della serie One ha due impostazioni della temperatura del radiatore (45° e 60° C) e lo spegnimento automatico dopo 2 ore (TIMER). Il pulsante on/off viene utilizzato anche per la modifica delle impostazioni, mentre i diversi colori del diodo LED indicano l'impostazione corrente.



Il dispositivo è dotato di un ricevitore IR incorporato per la comunicazione senza fili con un controller/termostato esterno che fornisce funzioni aggiuntive per il dispositivo.

Accensione del dispositivo ed impostazione della temperatura di riscaldamento

Le seguenti impostazioni vengono attivate premendo il pulsante on/off nel seguente ordine:

1. Il dispositivo viene acceso ed automaticamente impostato a 45° C;
2. Il dispositivo commuta a 60° C;
3. Il dispositivo viene spento.

La corrente impostazione viene indicata da un diodo LED:

- Il dispositivo è spento – diodo non acceso
- Il dispositivo è sull'impostazione 1 (45 ° C) – luce gialla
- Il dispositivo è sull'impostazione 2 (60 ° C) – luce rossa

L'impostazione del dispositivo rimane in memoria anche dopo l'interruzione dell'energia elettrica.

Spegnimento automatico (timer)

Premendo e tenendo premuto il pulsante on/off si attiva la funzione del TIMER – il dispositivo funziona per 2 ore sull'impostazione a 60° C, dopo di che si spegne. L'attivazione del TIMER viene indicato dal diodo LED con luce pulsante. Indipendentemente dal fatto che il dispositivo sia attivo o meno, il TIMER può essere attivato premendo e tenendo premuto il pulsante, e al termine spegne il dispositivo.

Funzione antigelo

Il riscaldatore della serie One ha un controllo incorporato ed automatico di bassa temperatura. Quando il dispositivo è spento e la temperatura all'interno della stanza scende sotto i 6° C, il dispositivo si accende automaticamente ed inizia a riscaldare, proteggendo il liquido di riscaldamento dal congelamento e il radiatore da danni. Una temperatura troppo bassa viene indicata dal diodo LED di colore arancione che lampeggia rapidamente ogni 4 secondi.

Modalità di controllo remoto (comunicazione wireless)

Se c'è un controller/termostato ad infrarossi (IR) dedicato all'interno della camera, che invia segnali al dispositivo, dopo che, il primo segnale sia stato correttamente ricevuto dal dispositivo, commuta automaticamente il dispositivo in modalità di ricezione. In questa modalità, il dispositivo riscalderà con la resa termica dettata dal controller esterno, pur controllando ancora che la temperatura non superi circa i 60° C. La modalità remota viene indicata dal diodo LED splendente di luce blu costante. Ogni segnale ricevuto correttamente dal controller esterno viene indicato dal breve lampeggio del diodo. Se c'è un'interruzione nella comunicazione (il dispositivo non riceve un segnale dal controller esterno per 30 minuti), il dispositivo passa ad una modalità di attesa del segnale. Il diodo LED inizierà a pulsare con luce blu in modo costante e il dispositivo si spegnerà automaticamente con la funzione antigelo ancora attiva fino a ristabilire un nuovo collegamento.

La funzione del TIMER nel dispositivo della serie One può essere utilizzata anche in modalità remota (in questo caso, al termine dell'operazione del timer, il dispositivo non si spegne, ma tornerà al funzionamento del controller remoto).

Avvisi di malfunzionamento

Il dispositivo monitora costantemente tutti i parametri che potrebbero indicare un suo danneggiamento o qualunque fenomeno negativo, e attiva automaticamente le procedure protettive necessarie. Queste sono, tra gli altri: la protezione contro il funzionamento in condizioni di asciutto, il monitoraggio dei sistemi di controllo e di misura, il monitoraggio di una "finestra aperta" o del "libero flusso di acqua in un impianto di riscaldamento". Tutti gli avvisi di malfunzionamento sono indicati da una luce bianca lampeggiante del diodo LED.

La costruzione del dispositivo così come le caratteristiche fisiche dei diversi liquidi di riscaldamento, può provocare una distribuzione non uniforme della temperatura nel radiatore, che può causare che i tubi inferiori possano essere freddi. Questo tipo di fenomeno è assolutamente normale e non è un effetto del malfunzionamento del dispositivo.

Manutenzione

- Scollegare sempre il dispositivo dall'elettricità prima di iniziare la pulizia del radiatore.
- Controllare ripetutamente il livello del liquido di riscaldamento all'interno del radiatore.
- Pulire il prodotto con un panno asciutto o inumidito con una piccola quantità di detergente senza solventi o agenti abrasivi.

Prima del disassemblaggio

1. Scollegare il dispositivo dall'impianto elettrico ed assicurarsi che il radiatore sia freddo, prima di iniziare il disassemblaggio del radiatore.
2. Fate attenzione – il radiatore riempito con del liquido può essere molto pesante. Assicurarsi di tutte le necessarie misure di sicurezza.
3. Prima di disassemblare assicurarsi che l'acqua contenuta all'interno del radiatore e dell'impianto di riscaldamento non causi alcun danno (chiudere le valvole, svuotare il radiatore, se necessario).

Utilizzo



Questo prodotto non deve essere smaltito come un rifiuto generico ma deve essere portato nel punto di raccolta per il riciclo delle apparecchiature elettriche ed elettroniche. Questa informazione è presente sul prodotto, sul manuale d'uso e sulla confezione. L'informazione sul punto appropriato per lo smaltimento dei dispositivi utilizzati può essere fornito dalle tue autorità locali o dal venditore del prodotto. Vi ringraziamo per l'impegno verso la tutela dell'ambiente.

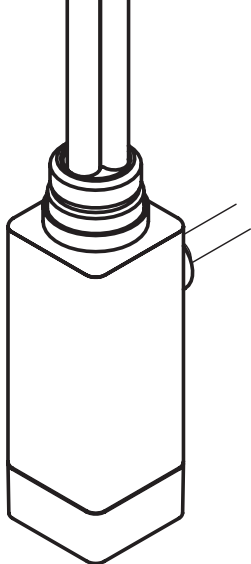
Risoluzione dei problemi

Sintomo		Possibile causa	Azione consigliata
Il diodo Led non è acceso, l'elemento scaldante non riscalda		Elettronica danneggiata	Contattare il Distributore locale
Il diodo Led lampeggia: bianco e rosso o bianco e giallo		Possibile flusso d'acqua nell'impianto di riscaldamento.	<ol style="list-style-type: none"> 1. verificare se la potenza d'uscita (termica) dell'elemento scaldante non sia troppo bassa; 2. specialmente nel collegamento idraulico laterale- verificare se l'acqua calda scorre via tramite la valvola superiore- chiuderla se necessario (ricordate: la seconda valvola deve rimanere aperta!)
Il diodo Led lampeggia di bianco (allerta di malfunzionamento)	doppio lampeggio	basso livello dell'acqua (lavoro in condizioni d'asciutto)	<ol style="list-style-type: none"> 1. può accadere una o due volte dopo l'accensione- non si tratta di malfunzionamento; 2. se dura più a lungo- controllare il livello del liquido di riscaldamento
	triplo lampeggio	surriscaldamento	Controllare e ridurre la temperatura dell'acqua nell'impianto o verificare, se la potenza d'uscita (termica) dell'elemento riscaldante non sia troppo elevata (per il radiatore). Spegnerne il dispositivo tramite il pulsante ON/OFF ed attendere 20 min. Se il radiatore (essendo spento) è ancora caldo- contattare il Distributore.
	quaduplo lampeggio	sensore di temperatura danneggiato	Contattare il Distributore
	quintuplo lampeggio	Probabile flusso d'acqua nell'impianto di riscaldamento.	<ol style="list-style-type: none"> 1. verificare se la potenza d'uscita dell'elemento scaldante non sia troppo basso per il radiatore; 2. specialmente nel collegamento idraulico laterale- verificare se l'acqua calda scorre via tramite la valvola superiore- chiuderla se necessario (ricordate: la seconda valvola deve rimanere aperta!)

Sintomo	Possibile causa	Azione consigliata
Il diodo Led blu non si accende (per mancanza della comunicazione ad infrarossi- IR)	Problema nel programmatore esterno	Controllare le batterie. Posizionare il programmatore vicino al dispositivo e cambiare l'impostazione della temperatura- se i dispositivi comunicano correttamente, il diodo Led blu si accende e lampeggia dopo ogni comunicazione ricevuta correttamente
	Problema con l'elemento scaldante	Contattare il Distributore
Il diodo Led con luce gialla e rosso ma il radiatore ancora freddo	Fusibile termico o elettronica danneggiata	Contattare il Distributore
Il diodo Led con luce blu ma radiatore ancora freddo	La temperatura ambiente è uguale o superiore a quella impostata nel programmatore esterno	Tutto è ok. Per azionare l'elemento scaldante si può attivare la modalità ON nel programmatore esterno o la modalità Dryer nel dispositivo. (Nota: l'impostazione dello stato OFF del programmatore non lo spegne e non termina la comunicazione- per terminare la comunicazione tirare fuori le batterie nel programmatore o nascondere in un'altra stanza).
Il diodo Led blu lampeggia	Il dispositivo mostra che la comunicazione con l'emettitore IR è mancata	Controllare le batterie, verificare se un qualunque oggetto ricopre uno dei dispositivi (asciugamano, tenda...). Se il problema persiste ancora-contattare il Distributore.

La costruzione del dispositivo così come le caratteristiche fisiche dei diversi liquidi di riscaldamento, può provocare una distribuzione non uniforme della temperatura nel radiatore, che può causare che i tubi inferiori possano essere freddi. Questo tipo di fenomeno è assolutamente normale e non è un effetto del malfunzionamento del dispositivo.





Инструкция по применению

Нагревательный элемент
и электрический радиатор

ONE

EN

PL

DE

FR

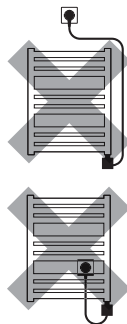
IT

RU

Электрический радиатор

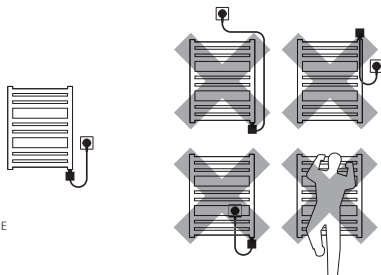
Требования безопасности — Монтаж

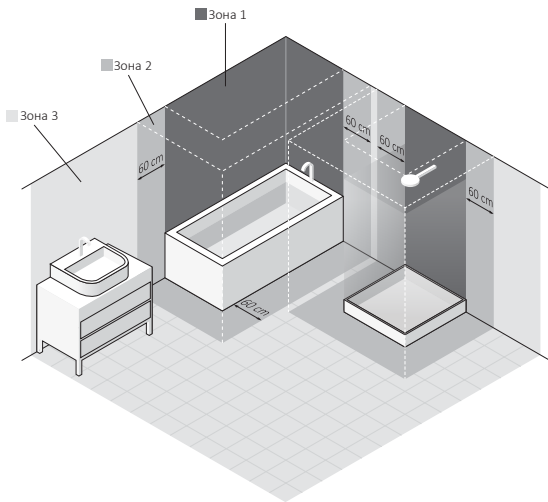
1. Нельзя располагать радиатор непосредственно под электрической розеткой.
2. Электрический радиатор должен быть заполнен определенным количеством теплоносителя. В случае недостатка теплоносителя, который требует пополнения -необходимо связаться с Продавцом.
3. Если устройство не оснащено регулятором температуры помещения, то данное устройство нельзя использовать в малых помещениях, если в них находятся люди, неспособные самостоятельно покинуть помещение, где не обеспечен постоянный надзор.



4. Электрический радиатор для сушки вещей или полотенце должен быть установлен таким образом, чтобы нижняя трубка располагалась как минимум на высоте 600 мм от пола.
5. При подключении устройства на постоянной основе, следует убедиться в том, что электрическая сеть, оснащена надлежащими выключателями тока (R.C.D.) с чувствительностью 30 мА. Обязательным также является наличие выключателя, позволяющего отключить устройство на всех полюсах, при помощи клемм, расположенных на расстоянии 3 мм.
6. В ванной комнате устройство может быть установлено исключительно в зоне 3, в соответствии с нормами. Но возможны исключения, если в регионе, где устанавливается конструкция, существуют другие нормы.

Внимание: радиатор не может располагаться в непосредственной близости от ванны, душевой кабины или бассейна.





7. Устройство должно быть установлено исключительно квалифицированным специалистом, с соблюдением всех мер безопасности, и в соответствии с действующими правилами и нормами.
8. Все системы, в которых устанавливается устройство, должны соответствовать техническим нормам и правилам, обязывающим на данной территории.
9. Для подключения электронагревателя нельзя использовать удлинитель или адаптеры для электрических розеток.
10. Подключать устройство следует только к соответствующим образом подготовленной системе (следует обратить внимание на номинальные данные электронагревателя).
11. Устройство предназначено для использования в домашних условиях. Следует использовать устройство исключительно в соответствии с его назначением, указанным в инструкции по применению.

12. Следует убедиться в том, что радиатор расположен на стене в соответствии с инструкцией монтажа.
13. Данный информационный материал следует передать конечному пользователю устройства.

...более того , при самостоятельном монтаже электронагревателя в радиаторе:

14. Следует убедиться в том, что кабель питания не соприкасается с горячими элементами электронагревателя или радиатора.
15. Нагревательный элемент во время работы должен быть полностью погружен в теплоноситель.
16. Допускается кратковременное единоразовое включение холодного электронагревателя вне радиатора и теплоносителя, но не более чем на 3 секунды.

ВНИМАНИЕ: нагревательный элемент может быть очень горячим- следует соблюдать осторожность.
17. Категорически запрещается включать электронагреватель в пустом радиаторе!
18. Во время монтажа или демонтажа, устройство не может быть подключено к сети.
19. Запрещается вскрывать электронагреватель, вмешиваться в конструкцию.
20. Мощность электронагревателя не может превышать мощности радиатора при стандартных параметрах 75/65/20°

Требования безопасности — Использование

21. Устройство может нагреться до высоких температур. Следует соблюдать осторожность.
22. Электрический радиатор не является игрушкой. Дети в возрасте до трех лет не должны находиться в непосредственной близости от радиатора. Дети в возрасте от 3 до 8 лет могут самостоятельно пользоваться устройством (за исключением чистки), только если оно правильно установлен и подключен, а дети находятся под присмотром или же ранее были научены как безопасно пользоваться устройством и каков риск.
23. Дети в возрасте старше 8 лет, а также люди с ограниченными умственными и физическими возможностями, могут самостоятельно пользоваться радиатором, если находятся под присмотром или же ранее были научены как безопасно пользоваться устройством и каков риск.
24. Если электрический радиатор используется для сушки вещей и полотенец — следует сушить лишь ткани выстиранные в воде (без химических примесей).

25. Если кабель поврежден, устройство не пригодно для использования. Следует отключить устройство от питания и связаться с Производителем или Дистрибутором.
26. Следует регулярно проверять, исправно ли устройство, наполнен ли радиатор теплоносителем, безопасно ли его использование.
27. Не допускается заливка корпуса блока управления жидкостью.
28. Чистить устройство можно исключительно после отключения его от сети питания.
29. Давление в радиаторе не может превышать 10 атм. В электрическом радиаторе следует оставить воздушную подушку, а в радиаторе, подключенном к системе Ц.О. — 1 вентиль открытым, чтобы не допустить роста давления по причине расширения теплоносителя.

Монтаж и демонтаж

Более подробную информацию о различных способах монтажа или демонтажа электронагревателя в радиаторе можно получить у Производителя или Дистрибутора (адрес в конце инструкции). Ниже перечислены основные требования и принципы, которых следует придерживаться для долгосрочной и надежной работы устройства. В случае монтажа электрического радиатора ONE, следует сразу перейти ниже, к пункту 9.

Рекомендации перед монтажом

1. Ознакомьтесь с разделом: "требования безопасности- монтаж".
2. В случае монтажа электрического радиатора ONE, следует сразу перейти ниже, к пункту 9.
3. Электронагреватель должен быть установлен вертикально, нагревательным элементом направленным вверх.

4. Следует использовать соответствующие теплоносители, такие как вода, вода с добавлением антифриза, специальные виды масла.
5. Следует обеспечить защиту от повышенного давления в радиаторе (воздушная подушка или хотя бы один открытый вентиль сети Ц.О.)
6. Нельзя наполнять радиатор теплоносителем, температура которого превышает 65°C.
7. Не следует монтировать электронагреватель в сети Ц.О., температура воды в которой может превышать 82°C. Это грозит повреждением термopредохранителя и не относится к гарантийным случаям.
8. Перед заливом радиатора убедитесь в том, что соединение электронагревателя и радиатора герметично.
9. Не следует включать электронагреватель, если есть риск, что нагревательный элемент не полностью погружен в теплоноситель. Это грозит повреждением термopредохранителя и не относится к гарантийным случаям.
10. При подключении устройства к сети, следует помнить:
 - а. Провод коричневый- фаза (l).
 - б. Провод голубой – нейтрал (n).
 - в. Провод желто- зеленый – заземление (pe).
11. Подробные рекомендации, касающиеся монтажа приведены в конце данной инструкции.

Назначение

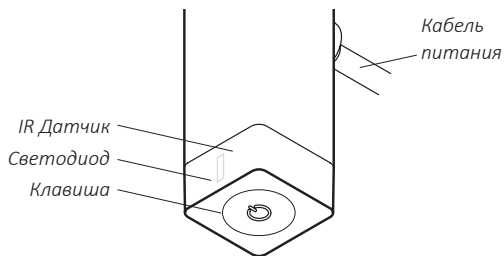
Электронагреватель One является электрическим нагревательным устройством, предназначенным для монтажа в трубчатых радиаторах (автономных или подключенных к сети Ц.О.). Электрический радиатор ONE, а также любой другой радиатор с вмонтированным электронагревателем ONE, предназначены для сушения одежды, полотенца или обогрева помещений вне отопительного сезона.

Технические характеристики

Питание:	230 V / 50 Hz
Класс изоляции:	Class I
Степень защиты корпуса:	IPx5
Мощность устройства:	120, 200, 300, 400, 600, 800, 1000 [W]
Символика кабеля питания:	PW — кабель прямой с вилкой (тип Z) SW — кабель спиральный с вилкой (тип Z) PB — кабель прямой без вилки (постоянное подключение к электрической сети)
Резьба радиатора:	filetto da G ½"

Доступные функции и обслуживание

Электронагреватель ONE оснащен двумя режимами температуры нагрева (45°C и 60°C) и функцией авто выключения по истечении 2 часов (Функция ТАЙМЕР). Клавиша позволяет выбрать желаемую функцию, а цвет светодиода сигнализирует текущую настройку.



Устройство оснащено инфракрасным модулем IR беспроводной связи, с внешним настенным программатором, который позволяет расширить функциональные возможности устройства.

Настройки и установка температуры обогрева

Короткое нажатие клавиши включает устройство, а следующие нажатия позволяют выбрать желаемую настройку. Светодиод показывает текущую настройку:

- Обогрев выключен – светодиод не горит
- Обогрев включен – настройка 1 (45° C) – светодиод горит желтым цветом
- Обогрев включен – настройка 2 (60° C) – светодиод горит красным цветом.

Последняя настройка устройства сохраняется после отключения от источника питания.

Функция автоматического отключения (ТАЙМЕР)

Придерживанием клавиши включается функция ТАЙМЕР – электронагреватель работает в течение 2 часов с настройкой 60°С, и затем выключается. На режим ТАЙМЕР указывает мигающий светодиод. Независимо от того, электронагреватель включен или выключен, ТАЙМЕР может быть запущен, с помощью нажатия и удерживания клавиши. Нажатие клавиши выключает ТАЙМЕР.

Функция АНТИФРИЗ

Если электронагреватель подключен к сети, а температура в радиаторе опускается ниже 6°С, устройство автоматически включится и начнет нагрев, защищая теплоноситель от замерзания, и радиатор от повреждения. Факт обнаружения низкой температуры сигнализирует светодиод, который мигает каждые 4 секунды.

Конструкция радиатора, а также физические свойства различных теплоносителей, могут стать причиной неравномерного распределения температуры в радиаторе. Верхняя и нижние трубки радиатора могут быть холодными - это натуральное явление, которое не является результатом неправильной работы электронагревателя.

Режим дистанционного управления (безпроводное соединение)

Если в помещении находится включенный программатор, при первой же возможности электронагреватель примет от него сигнал, автоматически переключаясь на совместную работу с программатором. В этом случае устройство работает в соответствии с сигналом программатора, но далее контролирует температуру в радиаторе, чтобы она не превысила 60°C. Режим дистанционного управления сигнализирует синий цвет светодиода. Каждый принятый сигнал программатора сигнализирует короткая вспышка светодиода синего цвета. Если отсутствует связь (в течение 30 минут электронагреватель One не получает сигнала от программатора), то устройство переходит в режим ожидания сигнала. Светодиод синего цвета начнет мигать равномерно, и устройство выключится до момента восстановления связи с спрограмматором (активными останутся модули защиты от перегрева и замерзания).

В режиме дистанционного управления можно включить функцию ТАЙМЕР (в данном случае, по истечении 2х часов, электронагреватель не выключится, а вернется в режим совместной работы с программатором дистанционного управления).

Аварийное состояние

Устройство контролирует параметры, которые могут указывать на повреждение электронагревателя или на не типичные явления. В случае необходимости устройство включает соответствующие модули защиты. К ним относится защита от работы всухую, контроль системы управления и измерения, контроль «открытого окна» или «открытой системы сети Ц.О.». Аварийное состояние сигнализирует мигающий светодиод белого цвета.

Уход

- Перед чисткой следует отключать устройство от сети.
- Периодически следует проверять количество теплоносителя в радиаторе.
- Устройство можно чистить только сухой или влажной тканью. Допустимо добавление моющего средства, без растворителей и абразивных элементов.

Рекомендации перед демонтажом

- Перед демонтажом отключите устройство от сети питания и убедитесь, что радиатор остыл.
- Внимание - электрический радиатор, заполненный теплоносителем может быть очень тяжелым.
- Перед демонтажом электронагревателя из радиатора, следует убедиться, что теплоноситель в радиаторе не станет причиной какого-либо ущерба (при необходимости, следует закрыть вентили, слить теплоноситель из радиатора).

Утилизация



Данный продукт является электрическим устройством, и не может быть утилизирован вместе с другими коммунальными отходами. После окончания использования, следует оставить устройство в пункте сбора и переработки электроники и электрических устройств. Подробную информацию об утилизации можно получить в пункте продажи или у Производителя. Благодарим за вклад в охрану окружающей среды.

Решение проблем

Проблема	Потенциальная причина	Решение проблемы	
Диод не горит, нагревательный элемент не греет	Повреждение электроники	Следует связаться с Продавцом.	
Диод мигает: БЕЛЫЙ и КРАСНЫЙ или БЕЛЫЙ и ЖЕЛТЫЙ	Возможное протекание теплоносителя в систему	<ol style="list-style-type: none"> 1. Убедитесь, что мощность нагревательного элемента является правильно подобранная к мощности радиатора (не слишком низка). 2. Если радиатор подключен к системе Ц. О. убедитесь, что тепло не уходит через верхний вентиль (помните: ОДИН вентиль всегда должен оставаться открытым). 	
Светодиод LED мигает в белом цвете (электронагревательный элемент выдает аварийное состояние)	2-е мигание	Работа без теплоносителя (всухую)	Если мигание не одноразовое вскоре после включения, убедитесь, что в радиаторе соответствующий уровень теплоносителя.
	3-е мигание	Перегрев	Проверьте и, если это необходимо, понизьте температуру теплоносителя в системе отопления или убедитесь, что мощность нагревательного элемента не слишком выше по отношению к мощности радиатора. Выключите нагревательный элемент кнопкой ON/OFF и подождите 20 минут. Если полотенцесушитель дальше будет горячим, обратитесь к своему дилеру."
	4-е мигание	Повреждение датчика температуры	обратитесь к своему диллеру
	5-е мигание	Очень возможное протекание теплоносителя в систему.	<ol style="list-style-type: none"> 1. Убедитесь, что мощность нагревательного элемента является правильно подобранная к мощности радиатора (не слишком низко). 2. Если радиатор подключен к системе Ц. О. убедитесь, что тепло не уходит через верхний вентиль (помните: ОДИН вентиль всегда должен оставаться открытым).

Проблема	Потенциальная причина	Решение проблемы
Не загорается синий светодиодный индикатор на электроннагревательном элементе(нет беспроводной связи)	Проблема с настенным программатором.	Проверьте батарейки в программаторе. Приблизьте программатор к нагревательному элементу и измените настройку - если связь правильная, то светодиод горит синим цветом, и после каждой правильно полученной команды-светодиод мигает.
	Проблемы с электроннагревательным элементом	обратитесь к своему дилеру
Нагревательный элемент загорается желтым или красным цветом, но радиатор холодный	Возможно, не работает термический предохранитель или электроника.	обратитесь к своему дилеру
Нагревательный элемент светится синим цветом, но радиатор холодный	Температура в помещении выше или равна температуре установленной на настенном программаторе.	Правильная работа электроннагревательного элемента. Желая включить его в режим работы, можно включить режим Turbo в программаторе или таймер 2 ЧАСА в электроннагревательном элементе(настройка программатора в положение OFF не отключает праграмматора и связи- чтобы постоянно блокировать ИК (инфракрасные лучи) выньте батарейки или положите его в другой комнате)
Индикатор электроннагревательного элемента мигает синим цветом	Нагревательный элемент сообщает о потере связи с ИК-датчиком.	Проверьте батареи в программаторе, убедитесь, что между нагревательным элементом или программатором нет препятствия. Если нет- обратитесь к своему дилеру.

Конструкция радиатора, а также физические свойства различных теплоносителей, могут стать причиной неравномерного распределения температуры в радиаторе. Верхняя и нижние трубки радиатора могут быть холодными- это натуральное явление, которое не является результатом неправильной работы электроннагревателя.

Dual Fuel Radiator / Grzejnik c.o. z grzałką elektryczną / Kombi-Heizkörper / Radiateur mixte / Radiatore misto / Радиатор водно-электрический

EN 1. Choose the option of installation that fits you best. **2.** Fit the T-fitting to the radiator (if needed) and then install the heating element. Install and tighten by hand only. **3.** Fill the radiator with the water, then bleed it. Once bleed make sure that at least one valve remains open. NEVER OPERATE THE HEATING ELEMENT WITH BOTH VALVES CLOSED. **4.** Connect the heating element to the power supply. **5.** Your radiator is ready. **HINT:** Do not turn on the heating element and your central heating at the same time.

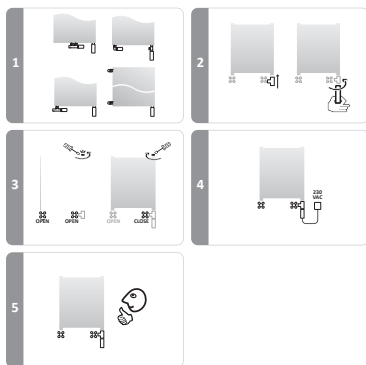
PL 1. Wybierz odpowiedni dla Ciebie sposób instalacji grzałki w grzejniku. **2.** Zainstaluj trójnik (jeśli potrzebny), a potem grzałkę. Dokręć ręką, nie używaj ostrych narzędzi. **3.** Napełnij grzejnik wodą i odpowietrz go, otwórz jeden z zaworów. NIGDY NIE WŁĄCZAJ GRZAŁKI, JEŚLI OBA ZAWORY SĄ ZAMKNIĘTE. **4.** Podłącz urządzenie do zasilania. **5.** Gotowe! **WSKAZÓWKA:** używaj grzałki tylko wtedy, kiedy system c.o. jest wyłączony.

DE 1. Wählen Sie die Option, in der die Heizpatrone im Heizkörper installiert werden soll. **2.** Installieren Sie das T-Stück (falls erforderlich), dann die Heizpatrone. Ziehen Sie es von Hand fest. Benutzen Sie keine scharfen Werkzeuge. **3.** Befüllen Sie den Heizkörper mit Wasser und entlüften Sie ihn. Öffnen Sie ein Ventil. **SCHALTEN SIE DAS HEIZELEMENT NICHT EIN, WENN BEIDE VENTILE GESCHLOSSEN SIND.** **4.** Schließen Sie das Gerät an die Stromversorgung an. **5.** Fertig! **HINWEIS:** Verwenden Sie die Heizpatrone nur dann, wenn die Zentralheizung ausgeschaltet ist.

FR 1. Choisir le mode adéquat d'installation du kit résistances dans le radiateur. **2.** Installer un raccord en T (si nécessaire), le kit résistances après. Visser-le avec la main, ne pas utiliser des outils tranchants. **3.** Remplir le radiateur avec de l'eau. Purger-le et laisser une des vannes ouverte. NE JAMAIS METTRE EN MARCHE LE KIT RÉSIDANCES SI LES DEUX VANNES SONT FERMÉES. **4.** Brancher l'appareil à la source d'alimentation. **5.** Radiateur est prêt à fonctionner! NE PAS OUBLIER: utiliser le kit résistances uniquement quand le système du chauffage eau chaude est arrêté.

IT 1. Scegliere l'opzione di installazione che si adatta meglio alle tue esigenze. **2.** Montare il raccordo T sul radiatore (se necessario) e quindi installare il dispositivo. Serrare il dispositivo solo a mano. **3.** Riempire il radiatore con l'acqua, quindi sfiatarlo. Una volta sfiatato, assicurarsi che almeno una valvola rimanga aperta. MAI USARE IL DISPOSITIVO CON ENTRAMBE LE VALVOLE CHIUSE. **4.** Collegare il dispositivo all'alimentazione. **5.** Il tuo radiatore è pronto ad essere utilizzato. Non accendere contemporaneamente il dispositivo e l'impianto di riscaldamento.

RU 1. Выберите удобный для Вас способ монтажа электронагревателя в радиаторе. **2.** Установите тройник (если необходимо), затем установите электронагреватель. Докрутите рукой, не используя острых инструментов. **3.** Наполните радиатор жидкостью и выпустите из него лишний воздух, откройте один из вентиля. ЗАПРЕЩАЕТСЯ ВКЛЮЧАТЬ ЭЛЕКТРОНАГРЕВАТЕЛЬ ЕСЛИ ВЕНТИЛИ ЗАКРЫТЫ. **4.** Подключите устройство к сети. **5.** Готово! **ПОМНИТЕ:** следует использовать электронагреватель только тогда, когда система Ц.О. отключена.



Electric only Radiator / Grzejnik elektryczny / Elektrischer Heizkörper / Radiateur électrique / Radiatore elettrico / Электрический радиатор

EN 1. Correct position of the radiator and heating element. **2.** Install and tighten by hand only. **3.** Fill the radiator with a proper heating agent. (Read the section "Before installation" page 8) **4.** Fit the radiator to the wall and connect the heating element to the power supply. **5.** Set the heater on max and keep it for 30min (the plug opening must be open). **6.** Check the level of the hot heating agent inside the radiator, add more if needed. **7.** Close the radiator plug. Your radiator is ready.

PL 1. Prawidłowo pozycja grzałki w grzejniku. **2.** Zainstaluj i dokręć grzałkę ręką, nie używaj ostrych narzędzi. **3.** Napełnij grzejnik odpowiednim czynnikiem grzewczym (zobacz Wskazówki na str. 24). **4.** Zamontuj grzejnik na ścianie, podłącz urządzenie do sieci zasilającej. **5.** Ustaw grzanie na max przez 30 min (odpowietrznik musi być w tym czasie otwarty). **6.** Sprawdź poziom gorącego czynnika, jeśli trzeba- uzupełnij (do poziomu jak na rysunku). **7.** Zakręć odpowietrznik. Grzejnik jest gotowy do użycia.

DE 1. Prüfen Sie die richtige Position der Heizpatrone im Heizkörper. **2.** Installieren Sie die Heizpatrone und ziehen Sie sie von Hand fest. Benutzen Sie keine scharfen Werkzeuge. **3.** Füllen Sie den Heizkörper mit einem geeigneten Heizmedium (siehe Erläuterungen auf Seite 41). **4.** Installieren Sie die Heizung an der Wand und Schließen Sie das Gerät an die Stromversorgung. **5.** Schalten Sie die Heizung für 30 min auf maximale Leistung (Entlüftung muss in dieser Zeit geöffnet sein). **6.** Prüfen Sie den Füllstand des Heizmediums – falls notwendig nachfüllen (bis zum Niveau auf Bild 6). **7.** Schließen Sie die Entlüftung. Die Heizung ist gebrauchsfertig.

FR 1. Position correcte du kit résistances dans le radiateur. **2.** Installer et visser le kit résistances avec la main, ne pas utiliser des outils tranchants. **3.** Remplir le radiateur avec du fluide caloriférant approprié (voir Conseils à la page 56). **4.** Poser le radiateur sur le mur, raccorder à la source d'alimentation. **5.** Mettre le kit en marche durant 30 minutes maximum (le purgeur ouvert). **6.** Vérifier le niveau du fluide caloriférant. Le compléter si nécessaire (le niveau présenté sur le dessin). **7.** Fermer le purgeur. Radiateur est prêt à fonctionner.

IT 1. Posizione corretta del radiatore e del dispositivo. **2.** Installare e serrare il dispositivo solo a mano. **3.** Riempire il radiatore con un liquido di riscaldamento appropriato. (Leggere il paragrafo "Prima dell'installazione" a pag. 72). **4.** Montare il radiatore al muro e collegare il dispositivo all'alimentazione. **5.** Impostare il dispositivo alla massima temperatura per 30 min (il tappo del radiatore deve essere aperto). **6.** Verificare il livello del liquido di riscaldamento all'interno del radiatore, aggiungerne altro se necessario. **7.** Chiudere il tappo del radiatore. Il tuo radiatore è pronto ad essere utilizzato.

RU 1. Правильное расположение электроннагревателя в радиаторе. **2.** Установите и докрутите рукой электроннагреватель, не используя острых инструментов. **3.** Наполните радиатор соответствующим теплоносителем (Рекомендации на стр. 89). **4.** Расположите радиатор на стене, подключите устройство к сети питания. **5.** Включите максимальный обогрев на 30 мин (кран Маевского должен быть открыт в этот момент). **6.** Проверьте уровень горячего теплоносителя, при необходимости - дополните (до уровня, показанного на рисунке). **7.** Закройте кран Маевского. Радиатор готов к использованию.

