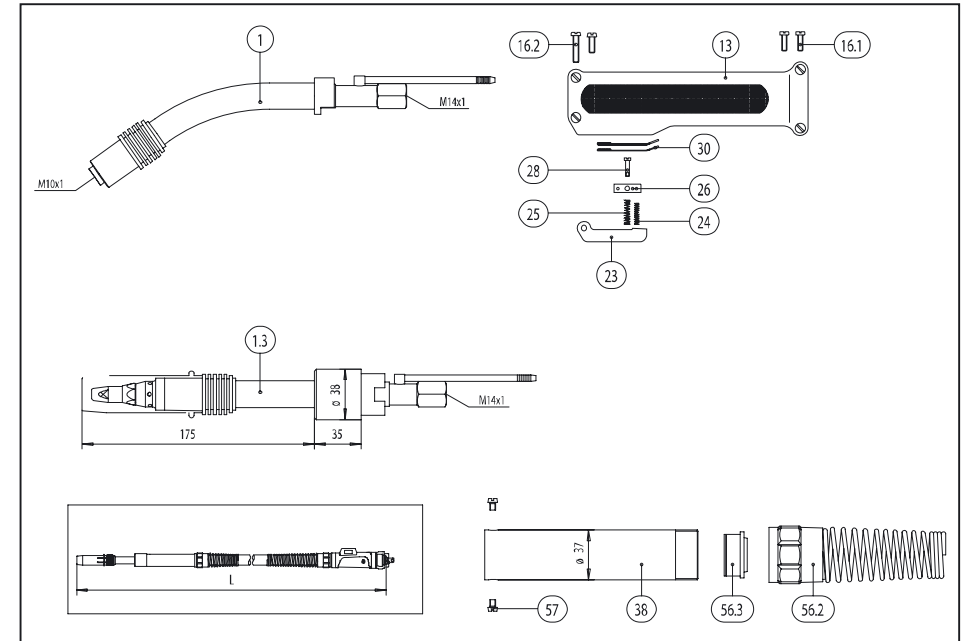
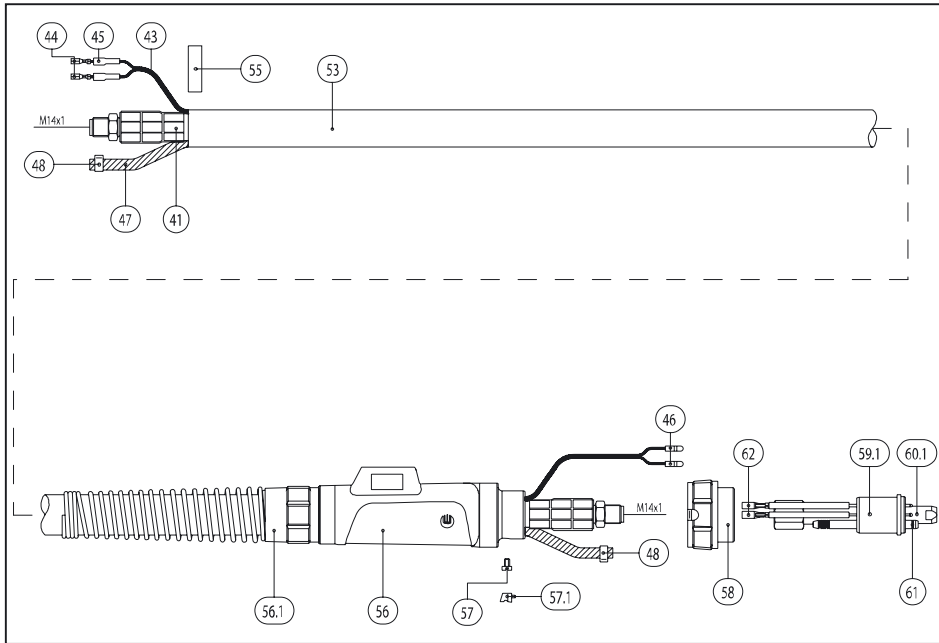


MIG/MAG-Welding Torch RB 61 GD



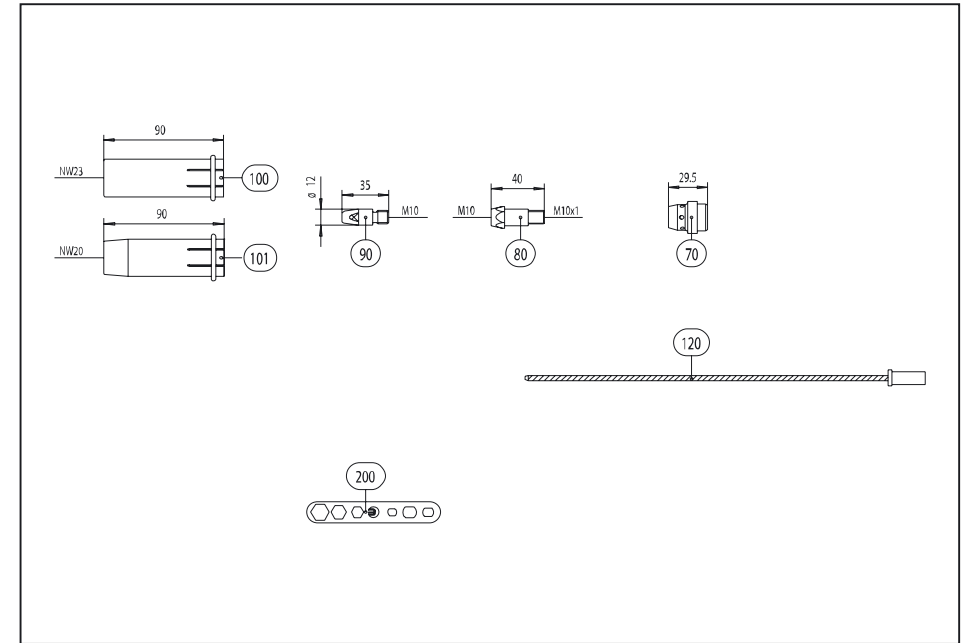
| Pos. | Description | Units | Part-No. | Product-group |
|------|--|---------|----------|---------------|
| | Torch | | | |
| | RB 61 GD; industrial handle; central adaptor RGZ-2; 3.00 m | | 013.0053 | 1013 |
| | RB 61 GD; industrial handle; central adaptor RGZ-2; 4.00 m | | 013.0054 | 1013 |
| | AUT 61 GD; 0°; handle tube; central adaptor RGZ-2; 3.00 m | | 913.0015 | 1003 |
| | Swan neck | | | |
| 1 | Swan neck RB 61 GD; 35° bent | | 013.0001 | 1014 |
| 1.3 | Swan neck AUT 61 GD; straight | | 913.0001 | 1010 |
| | Handle | | | |
| 13 | Industrial handle blue cpl. | | 180.0029 | 1095 |
| 16.1 | Flat headed screw M4x12 | 20 Pcs. | 000.0556 | 9010 |
| 16.2 | Pan head screw M4x20 | 20 Pcs. | 000.0558 | 9010 |
| 23 | Trigger | | 400.0032 | 1095 |
| 24 | Pressure spring | 20 Pcs. | 400.0056 | 1095 |
| 25 | Pressure spring | 20 Pcs. | 400.0037 | 1095 |
| 26 | Trigger blade center | 20 Pcs. | 400.0038 | 1095 |
| 28 | Center blade screw | 20 Pcs. | 400.0036 | 1095 |
| 30 | Trigger blade | 20 Pcs. | 400.0049 | 1095 |
| | Handle tube AUT | | | |
| 38 | Handle tube AUT | | 180.0097 | 1095 |
| | | | | |
| | | | | |
| | | | | |
| | | | | |

MIG/MAG-Welding Torch RB 61 GD



| Pos. | Description | Units | Part-No. | Product-group |
|------|---------------------------------------|---------|----------|---------------|
| | Cable assembly | | | |
| 41 | Bikox® power cable RB, B10 for 3.00 m | | 160.0549 | 1011 |
| 41 | Bikox® power cable RB, B10 for 4.00 m | | 160.0560 | 1011 |
| 43 | Control cable 2-pole | 200 m | 100.0019 | 4050 |
| 44 | Trigger wire connector | 20 Pcs. | 175.0022 | 9010 |
| 45 | Insulating sleeve | 20 Pcs. | 400.0119 | 1095 |
| 46 | Plug | 20 Pcs. | 175.0004 | 9010 |
| 47 | Hose 30 black Ø 4.9x1.5 | 100 m | 109.0040 | 4050 |
| 48 | Hose clamp Ø 8.7 mm | 20 Pcs. | 171.0002 | 9010 |
| 53 | Outer cover Ø 28x1.5 | 40 m | 107.0055 | 4050 |
| 55 | Ring | | 400.0097 | 1095 |
| 56 | Cable support machine side | | 501.2278 | 9010 |
| 56.1 | Cable support spring ND 31 | | 500.0274 | 9010 |
| 56.2 | Cable support spring ND 31 | | 500.0375 | 5005 |
| 56.3 | Biclip Set 25/28 | | 400.0332 | 9010 |
| 57 | Pan head screw M4x6 | 20 Pcs. | 000.0552 | 9010 |
| 57.1 | Screw cap 1 | 20 Pcs. | 500.0251 | 9010 |
| 58 | Adaptor nut | | 500.0213 | 9010 |
| 59.1 | Central adaptor RGZ-2 | | 501.0054 | 1095 |
| 60.1 | Liner positioner nut M14x1 | 10 Pcs. | 501.0129 | 9010 |
| 61 | O-Ring 4x1 | 20 Pcs. | 165.0002 | 9010 |
| 62 | Trigger wire connector; female | 20 Pcs. | 175.0003 | 9010 |

MIG/MAG-Welding Torch RB 61 GD



| Pos. | Description | Units | Part-No. | Product-group |
|------|--|---------|----------|---------------|
| | Wear parts | | | |
| 70 | Gas diffuser | 10 Pcs. | 013.0030 | 1032 |
| 80 | Contact tip holder M10; 40.0 mm | 10 Pcs. | 142.0032 | 1033 |
| 90 | Contact tip M10 CuCrZr; Ø 1.6 (12x35) | 10 Pcs. | 140.0616 | 1031 |
| 90 | Contact tip M10 CuCrZr; Ø 2.0 (12x35) | 10 Pcs. | 140.0665 | 1031 |
| 90 | Contact tip M10 CuCrZr; Ø 2.4 (12x35) | 10 Pcs. | 140.0698 | 1031 |
| 90 | Contact tip M10 CuCrZr; Ø 2.8 (12x35) | 10 Pcs. | 140.0712 | 1031 |
| 90 | Contact tip M10 CuCrZr; Ø 3.2 (12x35) | 10 Pcs. | 140.0734 | 1031 |
| 100 | Gas nozzle; cylindrical; ND Ø 23.0 | 10 Pcs. | 145.0048 | 1037 |
| 101 | Gas nozzle; conical; ND Ø 20.0 | 10 Pcs. | 145.0081 | 1037 |
| 120 | Guide spiral liner blank; Ø 2.8/6.3 mm; for 3.00 m | | 122.0066 | 1034 |
| 120 | Guide spiral liner blank; Ø 2.8/6.3 mm; for 4.00 m | | 122.0067 | 1034 |
| 120 | Guide spiral liner blank; Ø 3.5/7.0 mm; for 3.00 m | | 122.0079 | 1034 |
| 120 | Guide spiral liner blank; Ø 3.5/7.0 mm; for 4.00 m | | 122.0080 | 1034 |
| 120 | Guide spiral liner blank; Ø 4.5/7.0 mm; for 3.00 m | | 122.0083 | 1034 |
| 120 | Guide spiral liner blank; Ø 4.5/7.0 mm; for 4.00 m | | 122.0084 | 1034 |
| 200 | Spanner | | 191.0001 | 9010 |