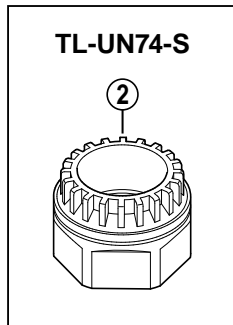
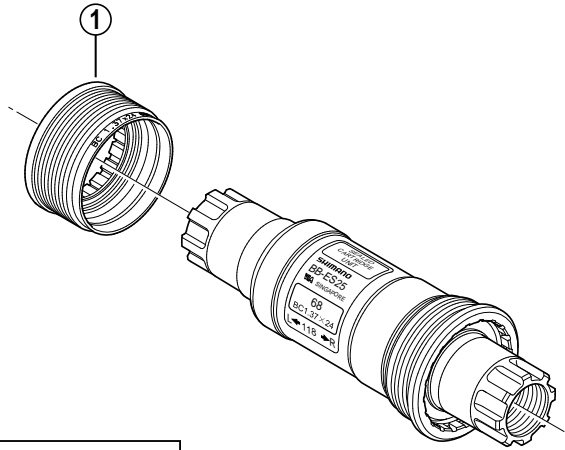


Bottom Bracket Assembly

BB-ES25 **BB-ES25-K**
BB-ES25-E



ITEM NO.	SHIMANO CODE NO.	DESCRIPTION	BB-ES30 BB-ES51 BB-ES71		
			INTERCHANGEABILITY		
1	Y-1T7 02000	Left Hand Adapter (B.C.1.37" x 24T) English Thread for (BB-ES25: Shell Width 68 mm)	A	A	B
	Y-1T7 02010	Left Hand Adapter (B.C.1.37" x 24T) English Thread for (BB-ES25-E: Shell Width 68 mm) (BB-ES25-K: Shell Width 68 mm)	A	A	B
	Y-1T7 02200	Left Hand Adapter (B.C.1.37" x 24T) English Thread for (BB-ES25: Shell Width 73 mm)	A	A	B
	Y-1T7 02210	Left Hand Adapter (B.C.1.37" x 24T) English Thread for (BB-ES25-E: Shell Width 73 mm)	A	A	B
	Y-1T7 02100	Left Hand Adapter (M36 x 24T) Italian Thread for (BB-ES25: Shell Width 70 mm)	A	A	B
2	Y-130 09073	Adapter Removal Tool (TL-UN74-S)	A	A	A

A: Same parts.

B: Parts are usable, but differ in materials, appearance, finish, size, etc.

Absence of mark indicates non-interchangeability.

0605-2549

Specifications are subject to change without notice.

SHIMANO