

PROFLO[™]
PROGRESSIVE PUMP TECHNOLOGY

P100 ADVANCED PLASTIC PUMP[™]

Wilden P100 - 12.7mm (1/2") Advanced Plastic Pump

FLOW RATE TO 56 LPM (14.8 GPM)
MAX PRESSURE = 8.6 BAR (125 PSI)

WETTED HOUSINGS

(Water Chambers and Manifolds)
Material Ship Wt
Polypropylene 3.67 kg (8.1 lbs)
PVDF 4.63 kg (10.2 lbs)

NON-WETTED HOUSINGS

Description Material
Center Section Polypropylene
Air Chambers Polypropylene
Air Valve Polypropylene

MAXIMUM SUCTION LIFT CAPABILITY

5.53m (Dry)

MAXIMUM DIAMETER SOLIDS

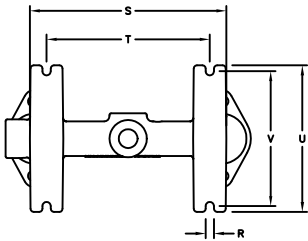
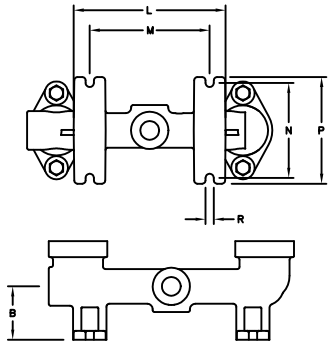
1.59mm (1/16)

ELASTOMER OPTIONS

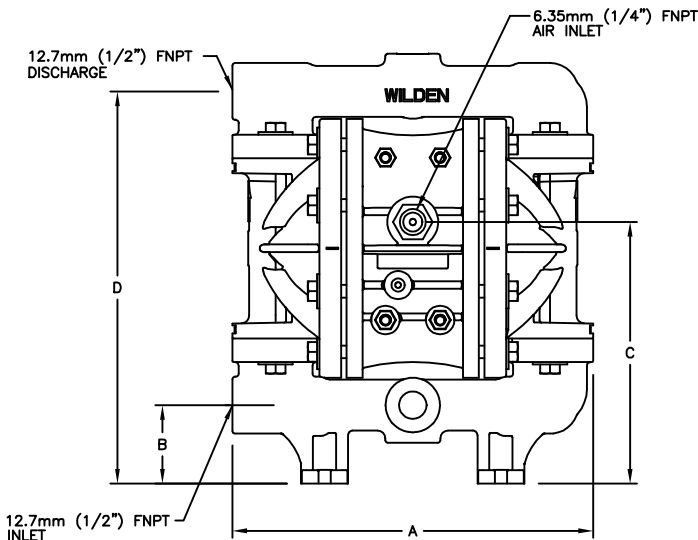
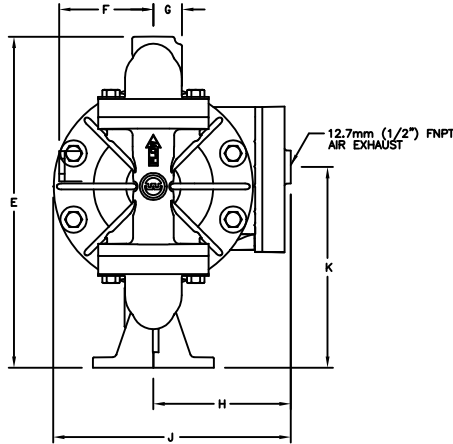
Material Temperature Limits

Buna-N[®] -12.2 (+10) to +65.6 (+150) °C (F°)
Neoprene -17.8 (+0) to +93.3 (+200) °C (F°)
Norden[®] -51.1 (-60) to +137.8 (+280) °C (F°)
Polyurethane -12.2 (+10) to +65.6 (+150) °C (F°)
Saniflex[™] -28.9 (+20) to +104.4 (+220) °C (F°)
Teflon[®] PTFE +4.4 (+40) to +104.4 (+220) °C (F°)
Viton[®] -40 (-40) to +176.7 (+350) °C (F°)
Wil-Flex[™] -40 (-40) to +107.2 (+225) °C (F°)

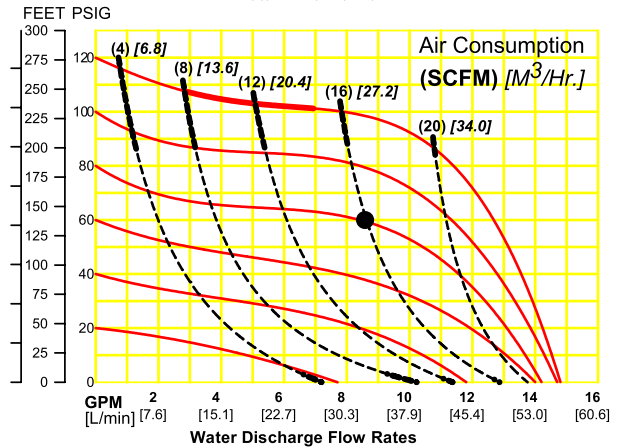
DIMENSIONAL - P100 ADVANCED [™] PLASTIC		
ITEM	METRIC (mm)	STANDARD (inch)
A	234	9.20
B	51	2.00
C	171	6.73
D	255	10.02
E	279	10.98
F	80	3.15
G	24	.95
H	115	4.54
J	200	7.87
K	169	6.65
L	145	5.70
M	114	4.50
N	90	3.56
P	102	4.00
R	8	.31
S	188	7.38
T	156	6.13
U	140	5.50
V	129	5.06



ALTERNATE FOOTPRINT



P100 Advanced[™] Plastic Rubber Fitted P100/PPPP/BN/BN/PBN



P100 Advanced[™] Plastic PTFE Fitted P100/PPPP/TF/TF/PTV

