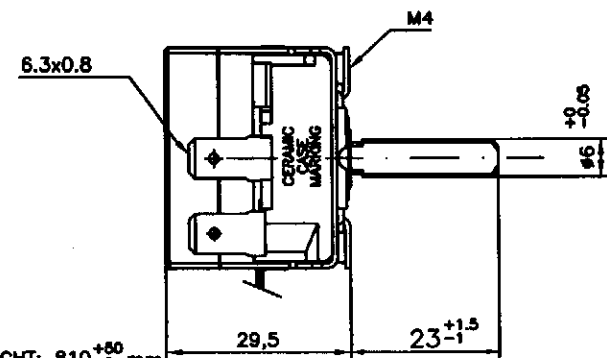
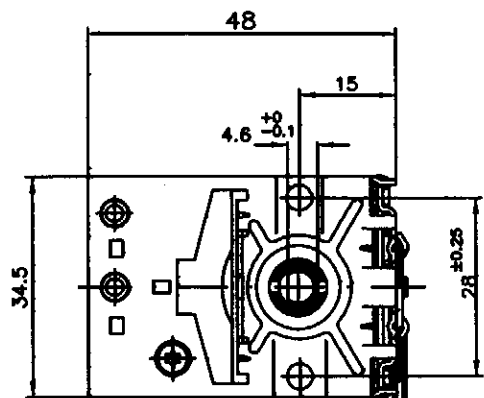
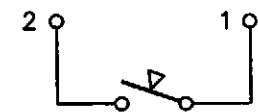


TEMPERATURE DIFFERENCE	7°C±3
MAX. HOUSING TEMPERATURE	150.°C
MIN. BULB TEMPERATURE	-10 °C
MAX. BULB TEMPERATURE	330 °C
MIN. BENDING. RADIUS OF CAPILLARY	5 mm
SHAFT TORQUE	2 + 8 Ncm
ELECTRICAL STRENGTH	2000v 1s

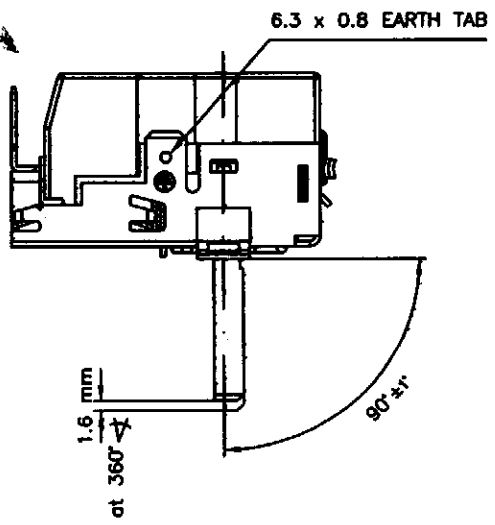
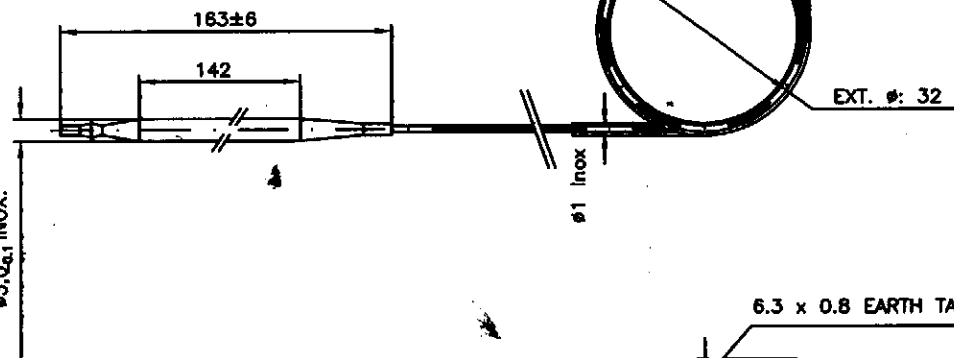


CAPILLARY LENGTH: 900  $\begin{smallmatrix} +50 \\ -0 \end{smallmatrix}$  mm  
 COVER LENGTH: 810  $\begin{smallmatrix} +50 \\ -0 \end{smallmatrix}$  mm  
 COLOR: BLACK

SWITCH DIAGRAM AT ZERO SETTING AND BULB TEMPERATURE 15°C

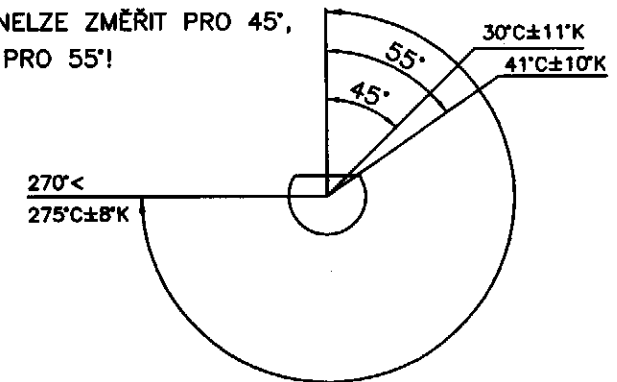


LOAD 1-2: 16A 250V / 10A 400V



**CALIBRATION**

POKUD NELZE ZMÉRIT PRO 45°, ZMÉRTE PRO 55°!



Rotation	Torque
0°-5°	< 30 N-cm
5°-270°	2 - 8 N-cm
<0° / >270°	> 250 N-cm

**APPROVALS**



**CERAMIC CASE MARKING**

T-150 Ref .

CUSTOMER Ref. Manufacture date

11.6.2014

**CZ EIKA, s.r.o.**  
 Průmyslová 3143/5  
 796 01 PROSTĚJOV  
 IČO: 26237989. VAT (DIČ) CZ26237989

NB: THE VALUES INDICATED CORRESPONDING TO SWITCH-OFF TEMPERATURES (BULB PLUS 50 mm OF CAPILLARY)

EIKA	81380941
CUSTOMER Ref.	2840-0051/C
CUSTOMER	ELCOBRANDT

1	Diminución de la calibración 10°C	31/1/05	Eglee	TXABI
N.	Aldakataran azalpena	Data	Data	02-06
ELECTRIC THERMOSTAT				N° 81380941.0