

# FE5000

## FE5000 Multi-touch Capacitive HMIs

- Multi-touch capacitive HMI, nimble touch, better light transmittance, anti-scratch, no drift
- Multi-gesture is supported, more friendly man-machine interactive experience
- High resolution, high brightness, IPS full view
- New configuration software with rich gallery and more powerful function



- Projected capacitive, multi-touch Glass+Glass touch screen.
- 22inch 1920\*1080 IPS LCD, high brightness, high contrast ratio, full viewing angle.
- Aluminum panel, metal frame, exquisite and metallic appearance, with only 31mm thickness.
- Industrial isolation power supply, spray coating treatment and applicable to various harsh environment.
- SD card Supporting.
- USB Device 2.0, high speed software downloading.
- USB Host: Supporting USB Disk/USB Keyboard/Mouse expanded device etc.
- Complied with RoHS certification.

## Technical Parameters

Display:	22" TFT LCD
Resolution(W x H):	1920×1080
Colors:	16-bit colors
Brightness:	250cd/m <sup>2</sup>
Backlight:	LED
Backlight Life:	50000 hours
Touch Panel:	Glass+ glass multi-touch capacitive HMI
CPU:	800MHz ARM Cortex A8
Memory:	256MB Flash + 256MB DDR3
RTC:	Built in
Ethernet :	10M/100M Ethernet
USB Port:	USB Device 2.0*1, USB Host 2.0*1
Download Project:	U-disk/USB Device/Ethernet
COM Port:	COM1/COM2 : RS232/RS485/RS422 ; COM3 : RS232

# Specifications

0  
3

## Electrical Specifications

Power Consumption	< 20W
Input Power	DC24V, Input Range: DC 18V~28V
Power Protection	Protected from thunderstrike and surging
Power Down Allowed	< 5mS
CE	CE, complied with EN61000-6-2:2005, EN61000-6-4:2007
RoHS	Complied with RoHS; Surge Immunity: $\pm 1KV$ , EFT: $\pm 2KV$ ; ESD:4KV, Air:8KV

## Others

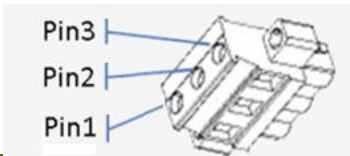
Operation Temperature	-10~60°C
Storage Temperature	-20~70°C
Operating Humidity	10~90%RH(No condensation)
Vibration Endurance	10~25Hz (X/Y/Z 2G/30Min)
Cooling	Natural air cooling

## Environment Specifications

Degree of Protection	Front IP65(with NEMA panel),Back IP20
Shell Material	Front cover made by aluminum, and the surface with hard oxide treatment; Back cover made by galvanized sheet and the surface with dry spray treatment
Installation	Wall mounting Installation
Dimension	530×338×61(mm)
Weight	About 6300g

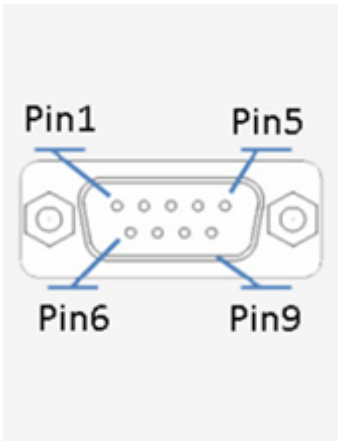
# Ports Specifications

## Power



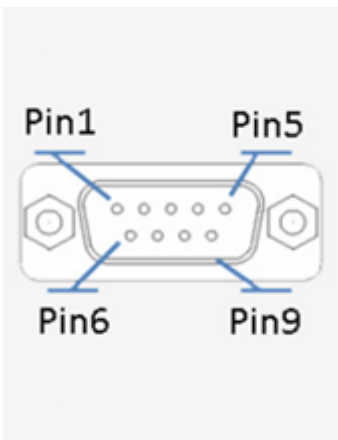
Pin1	DC24V
Pin2	0V
Pin3	FG

## COM1/COM3 (9DB)



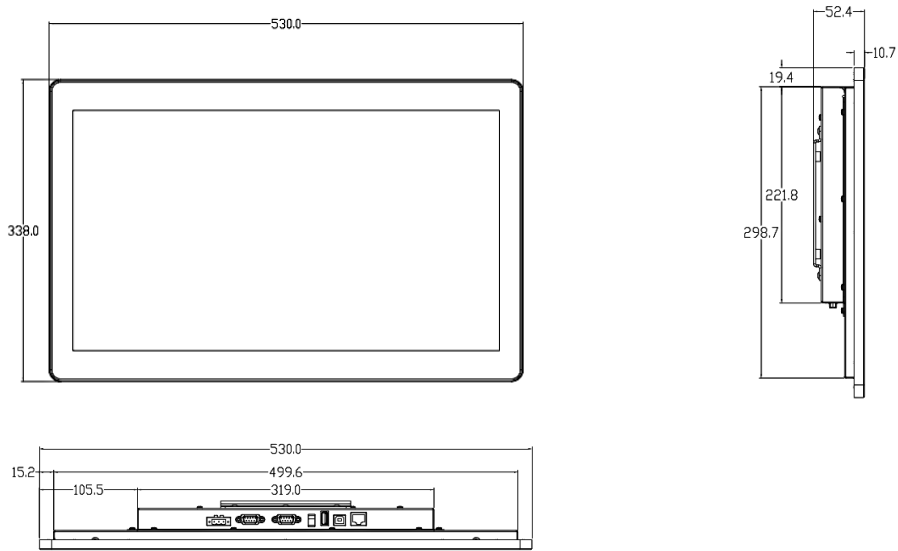
Pin1	Rx-(B)
Pin2	RxD_PLC (COM1 RS232)
Pin3	TxD_PLC (COM1 RS232)
Pin4	Tx-
Pin5	GND
Pin6	Rx+(A)
Pin7	RxD_PC/PLC (COM3 RS232)
Pin8	TxD_PC/PLC (COM3 RS232)
Pin9	Tx+

## COM2/COM4 (9DB)

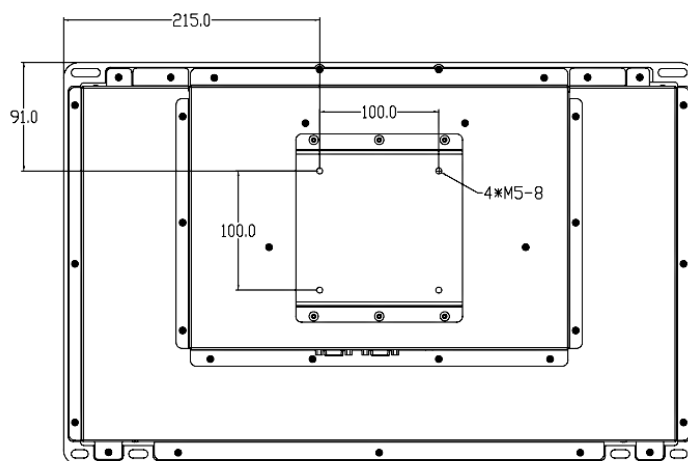


Pin1	Rx-(B)
Pin2	RxD_PLC (COM2 RS232)
Pin3	TxD_PLC (COM2 RS232)
Pin4	Tx-
Pin5	GND
Pin6	Rx+(A)
Pin7	-----
Pin8	-----
Pin9	Tx+

## Dimension



## Wall Mounting



## Shanghai (R&D Center)

**Address** No. 1117~1119 Tongye Building, Wujiaochang high science and technology industrial park, No. 32 Tieling Road, Yangpu District, Shanghai, China

**Telephone** +86-21-68683993

**Fax** +86-21-65107569

## Shenzhen (Factory)

**Address** 5th Floor, NO.2 Building, Lanyun Science Park, Tangtou Road, Shiyan Town, Baoan District, Shenzhen, China

**Telephone** +86-755-27610682

**Fax** +86-755-27629895

## Beijing

**Address** Room 303, Unit 1, Building 10, Caiman Street, No 69 Chaoyang Road, ChaoYang District, Beijing

**Telephone** +86-10-51388516

**Fax** +86-10-51388681