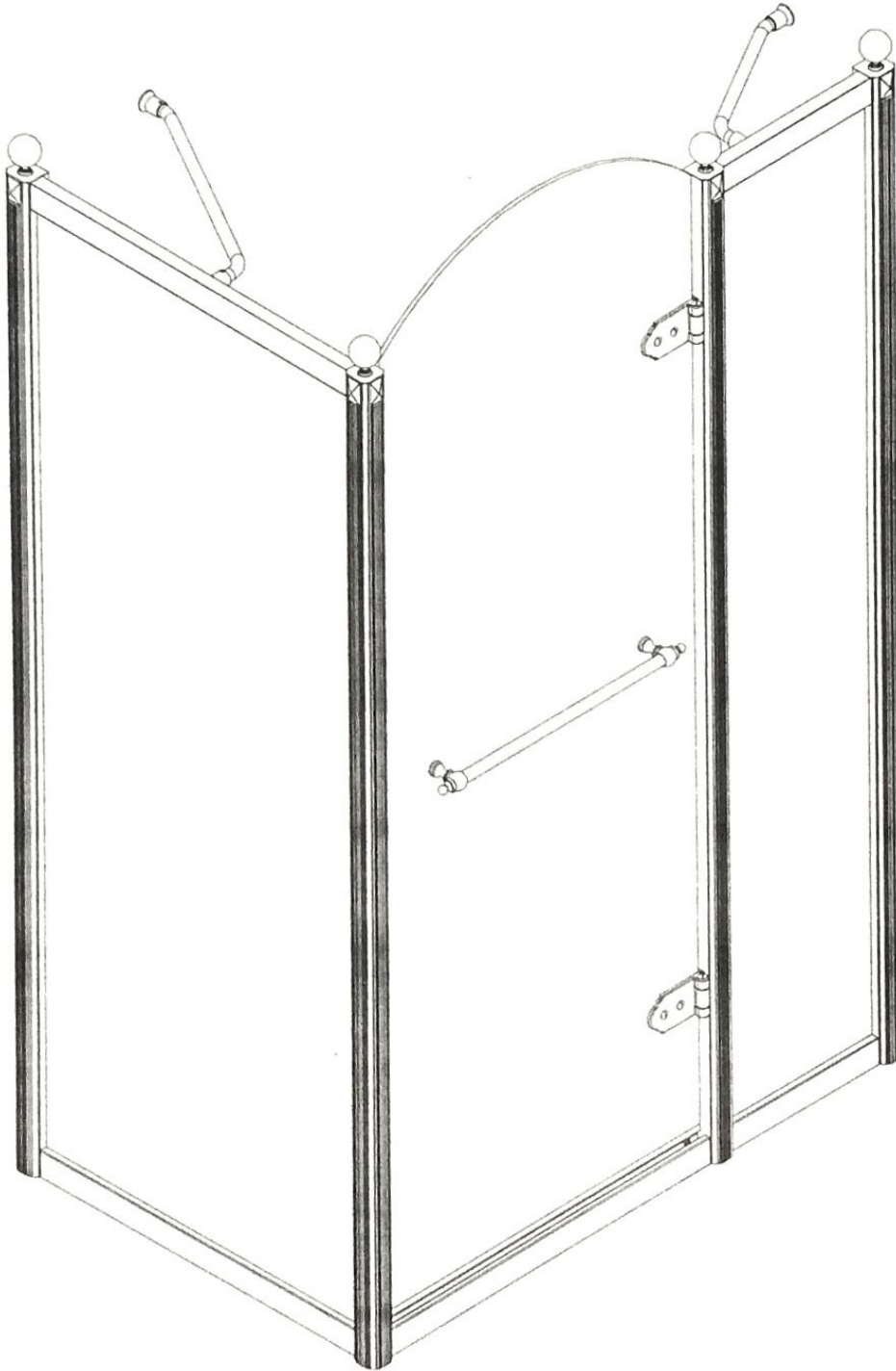
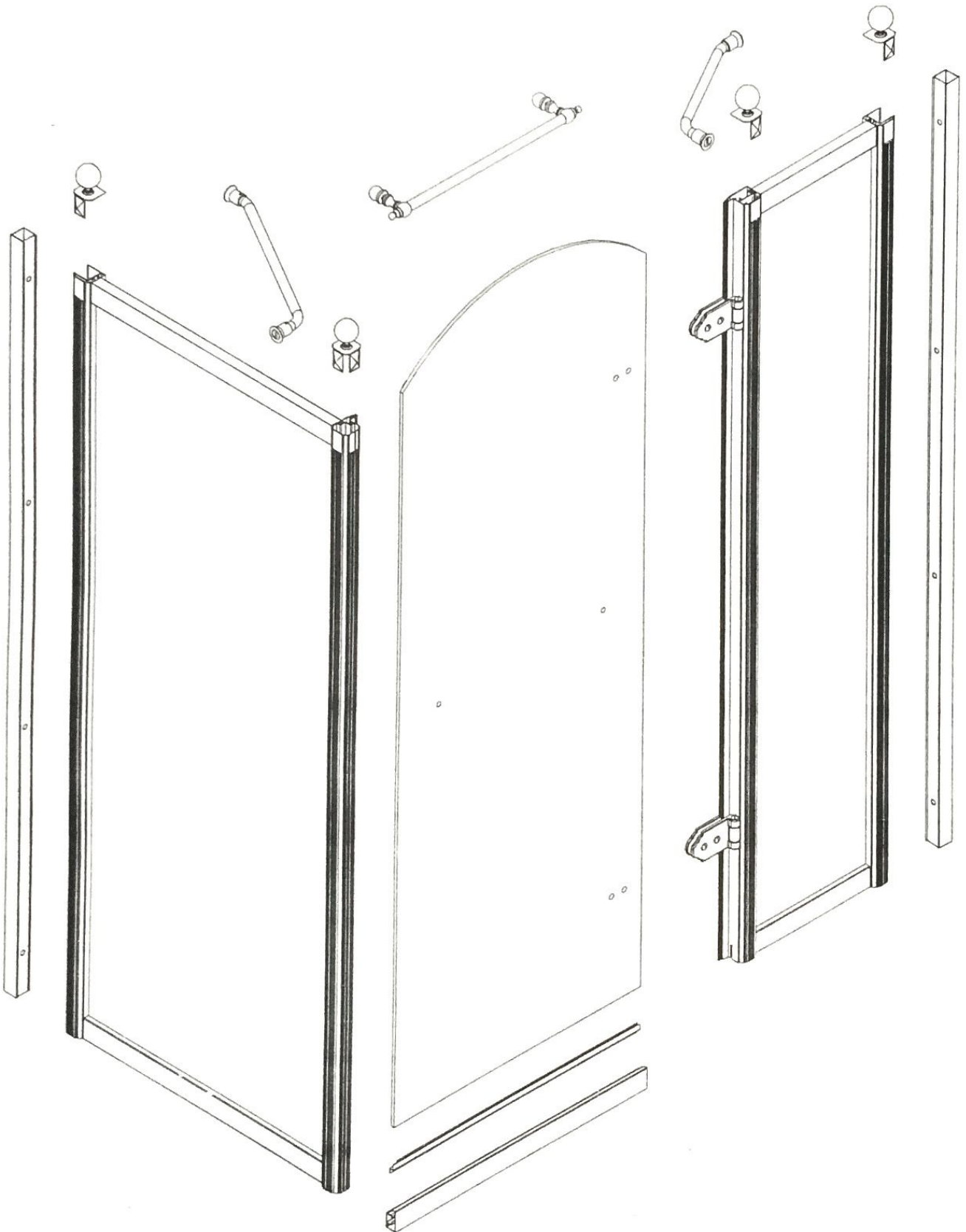
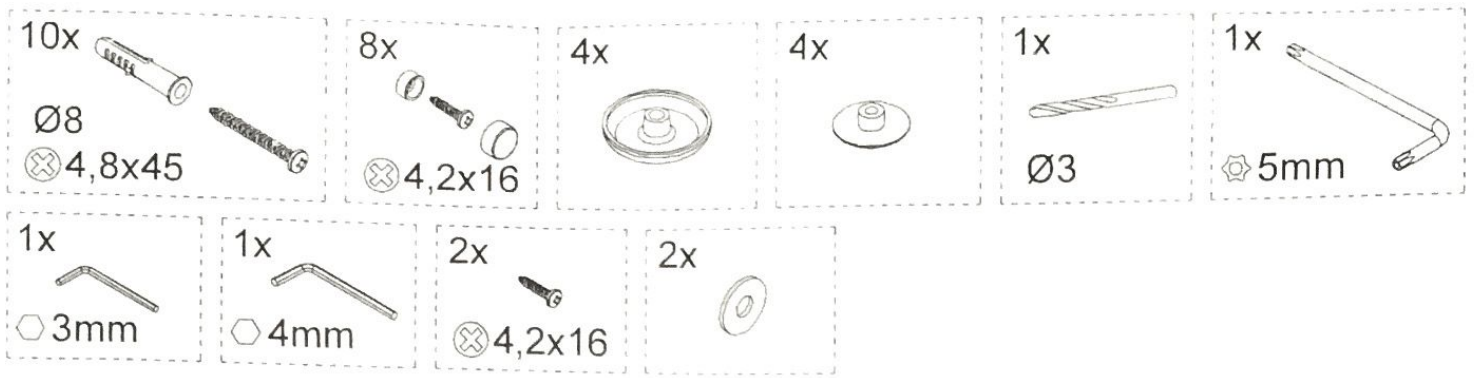
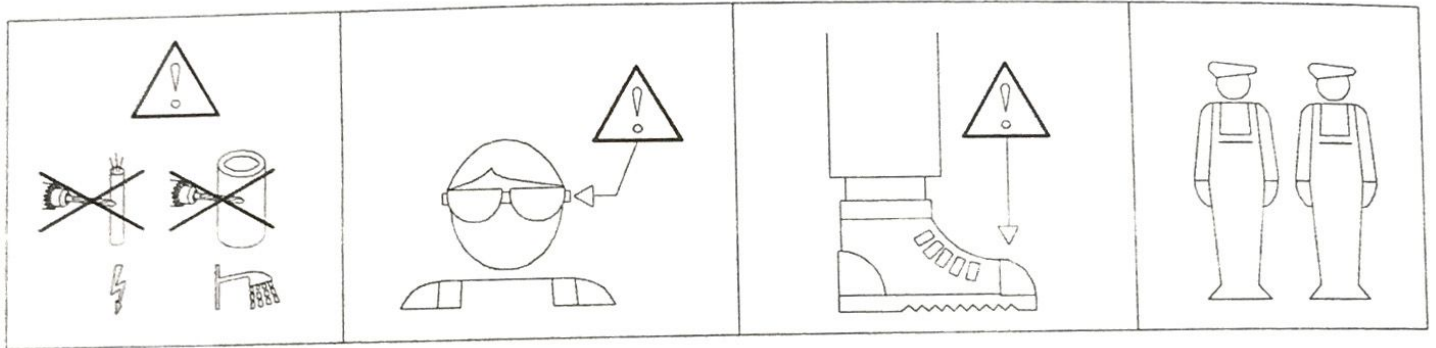
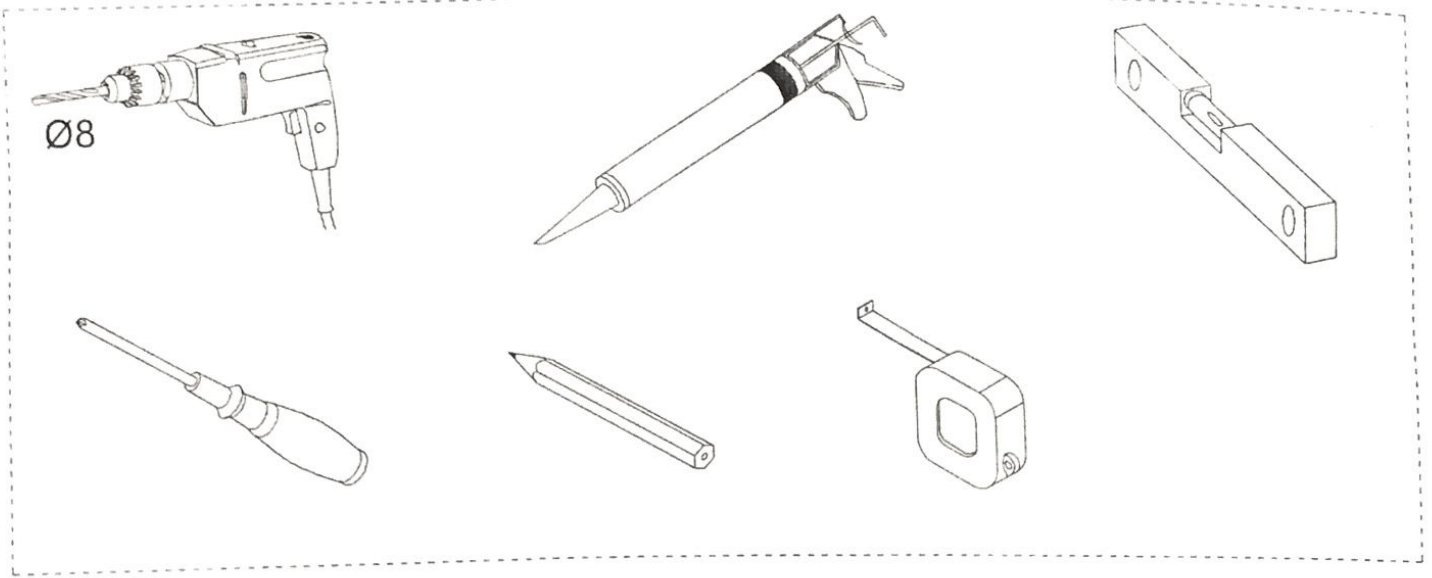


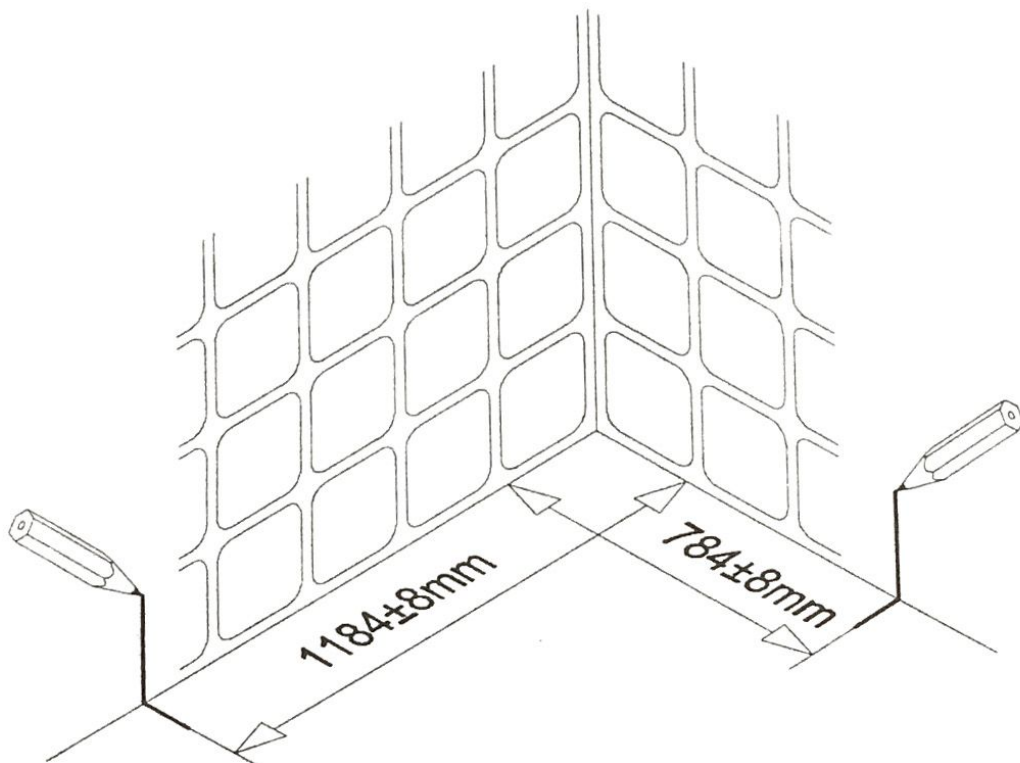
SR1654



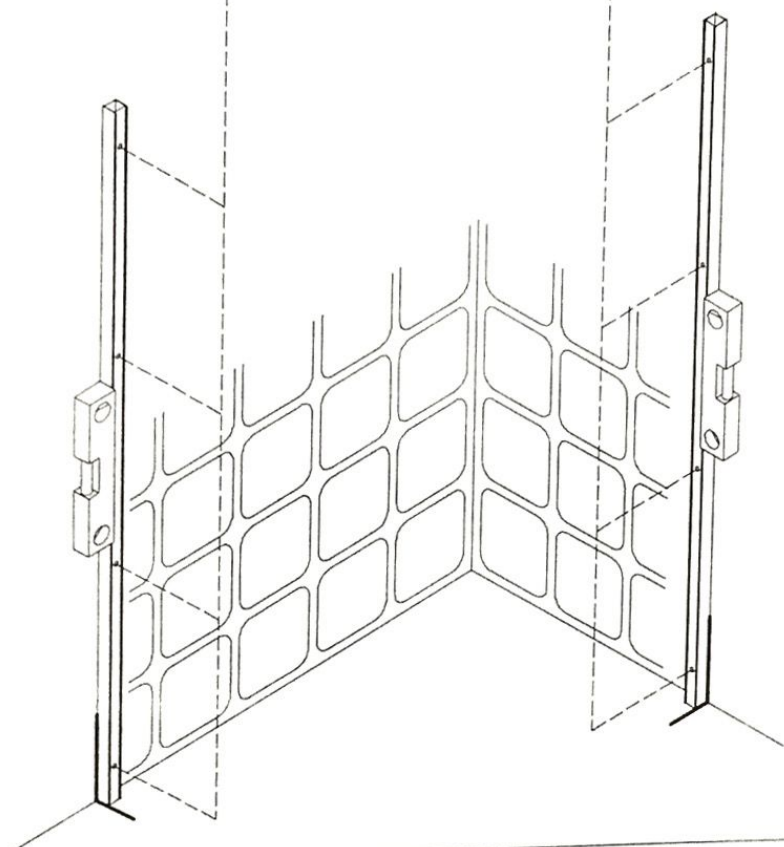
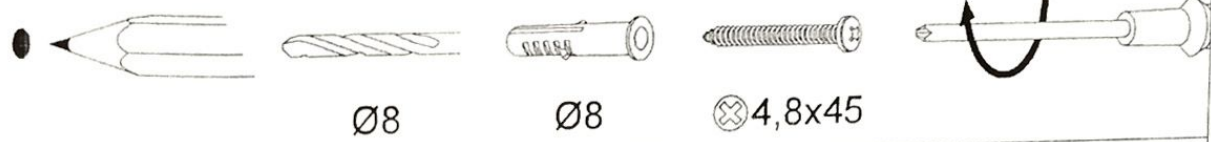




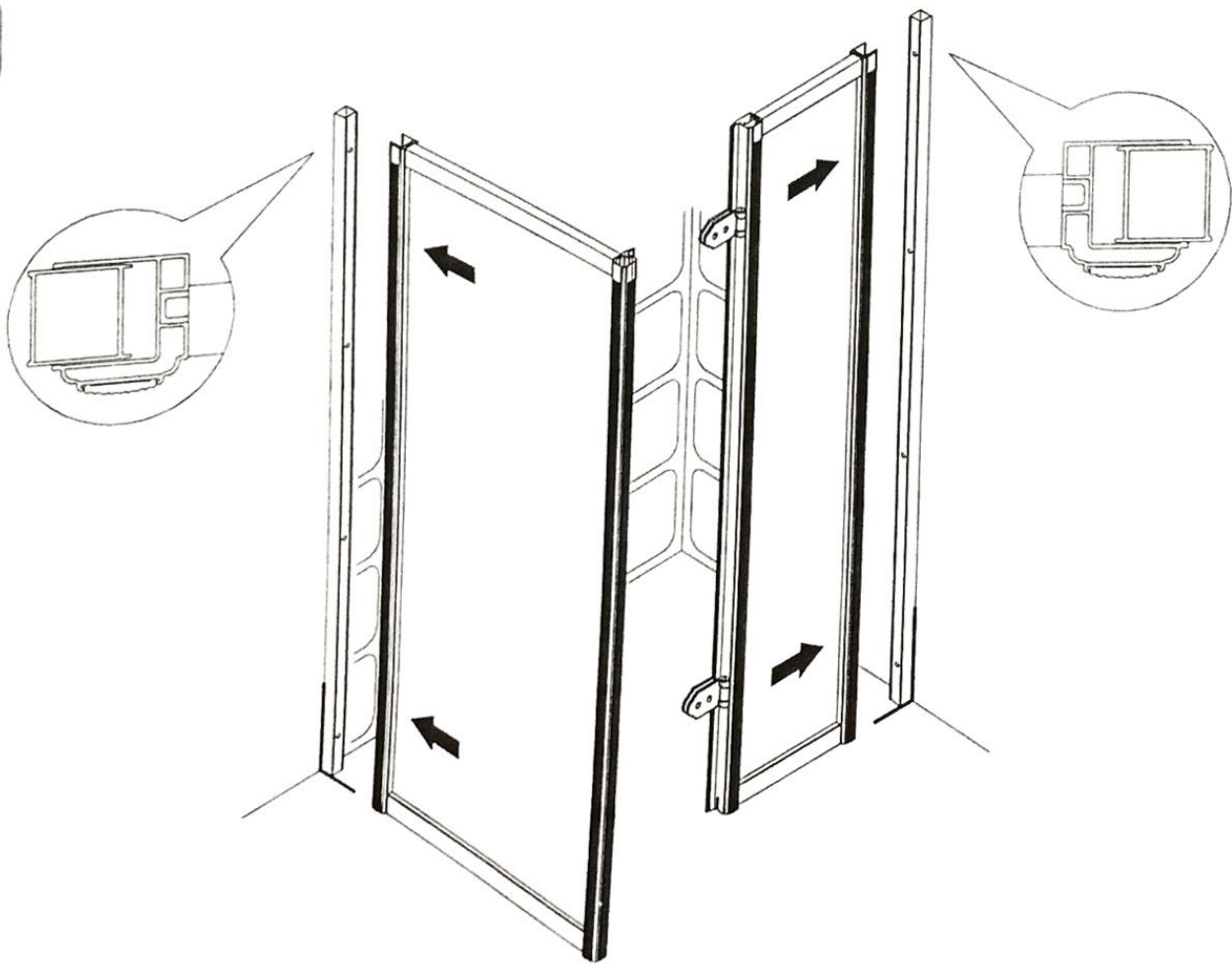
1



2

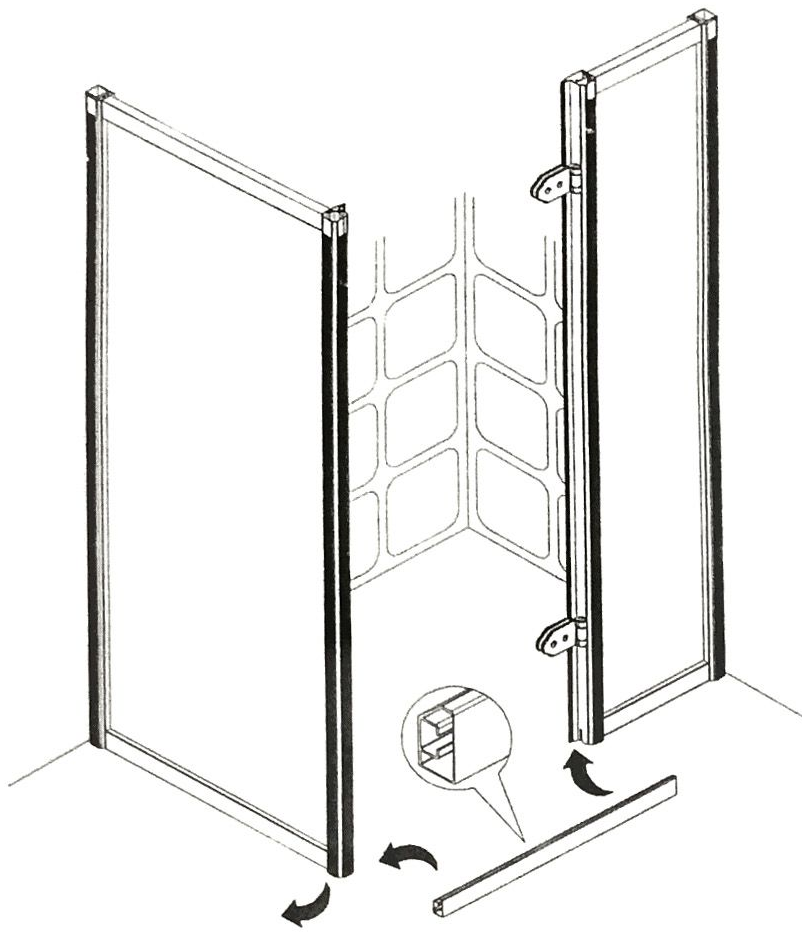


3

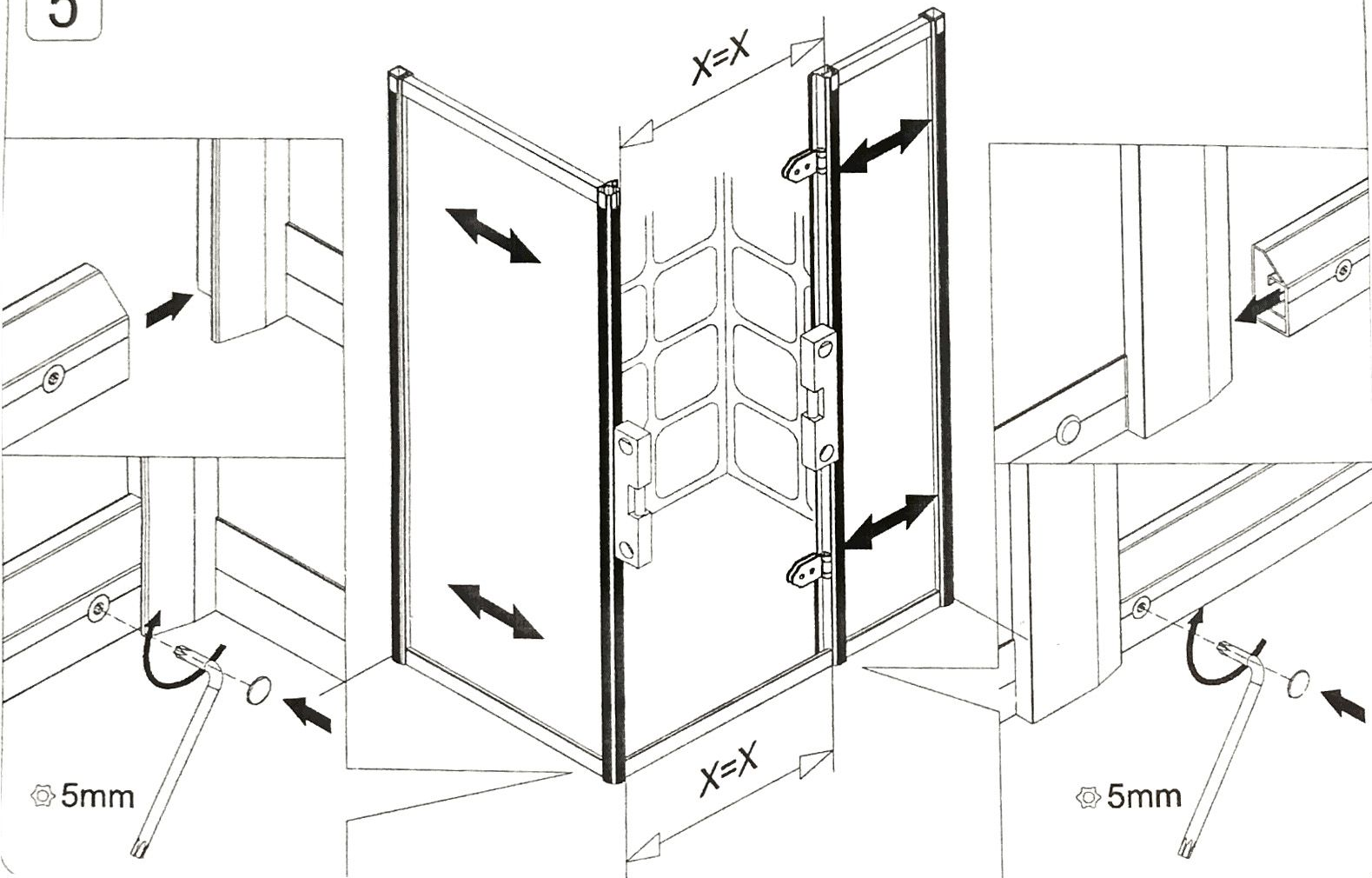




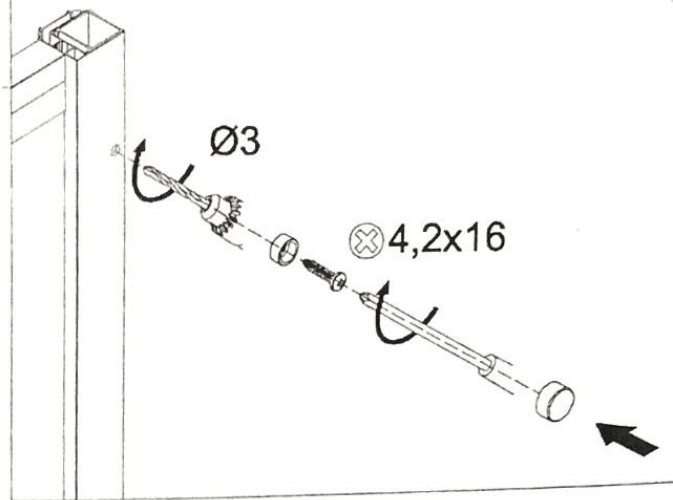
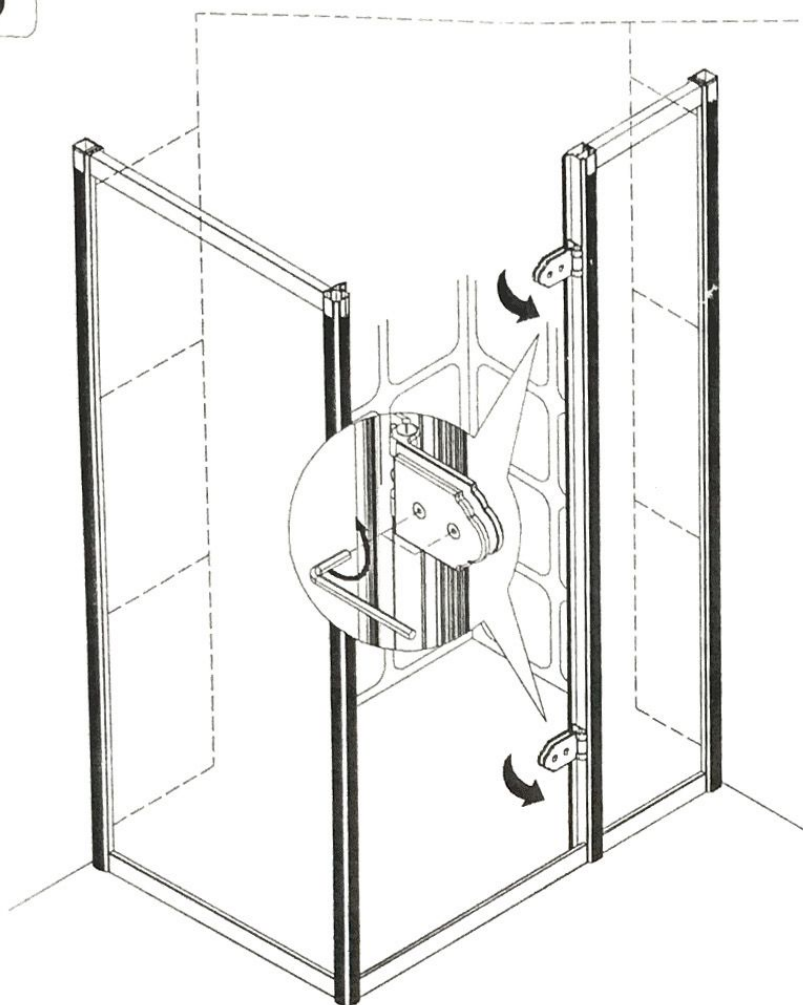
4



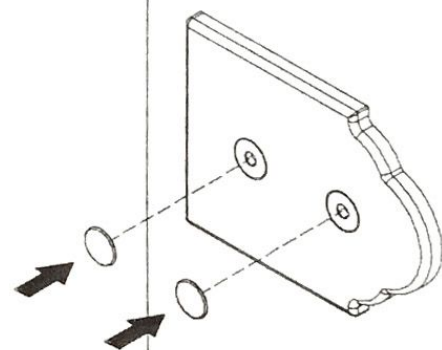
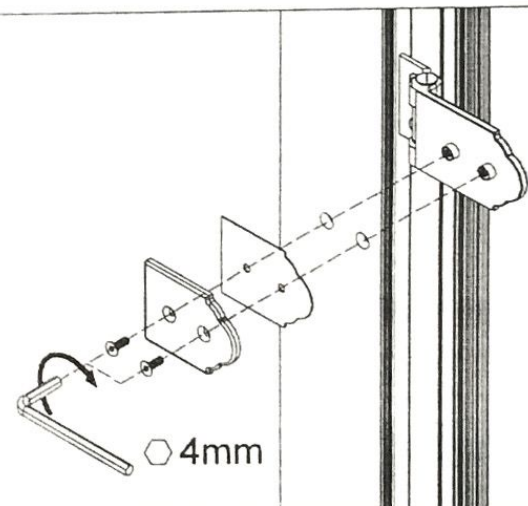
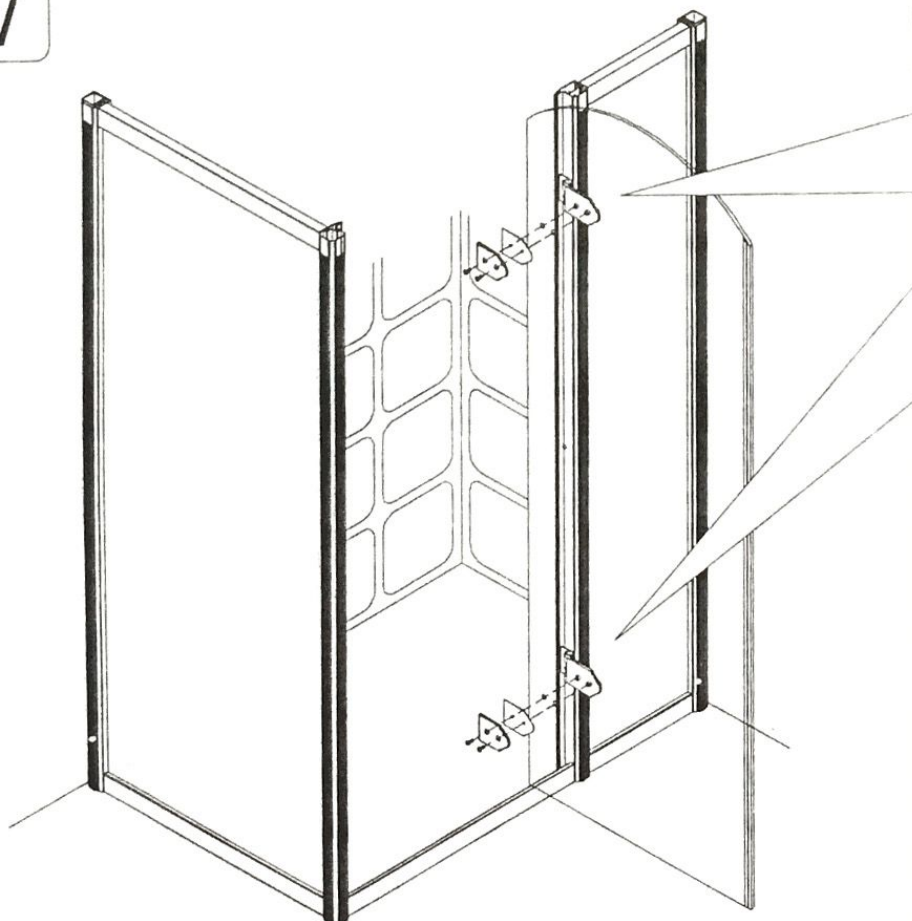
5



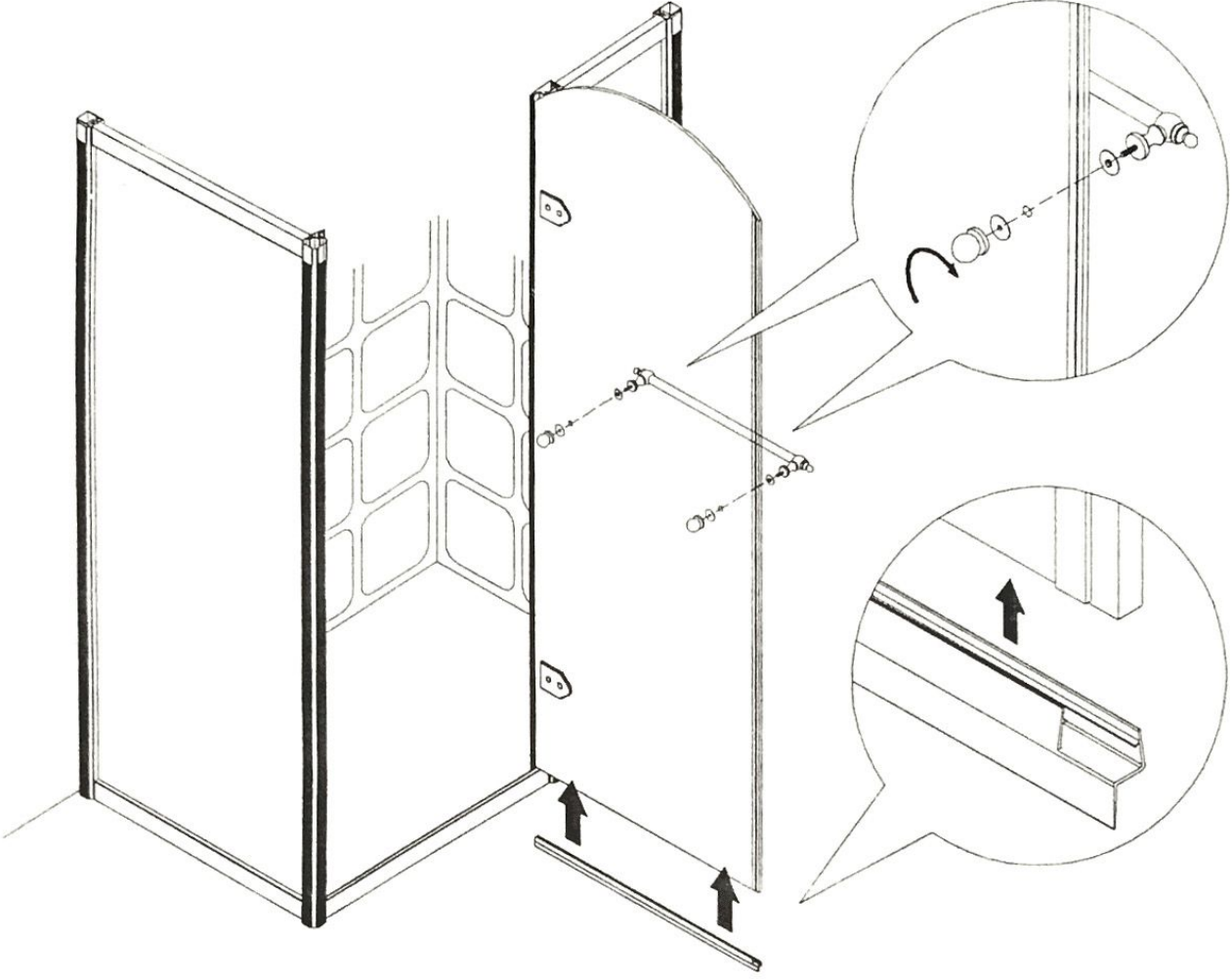
6



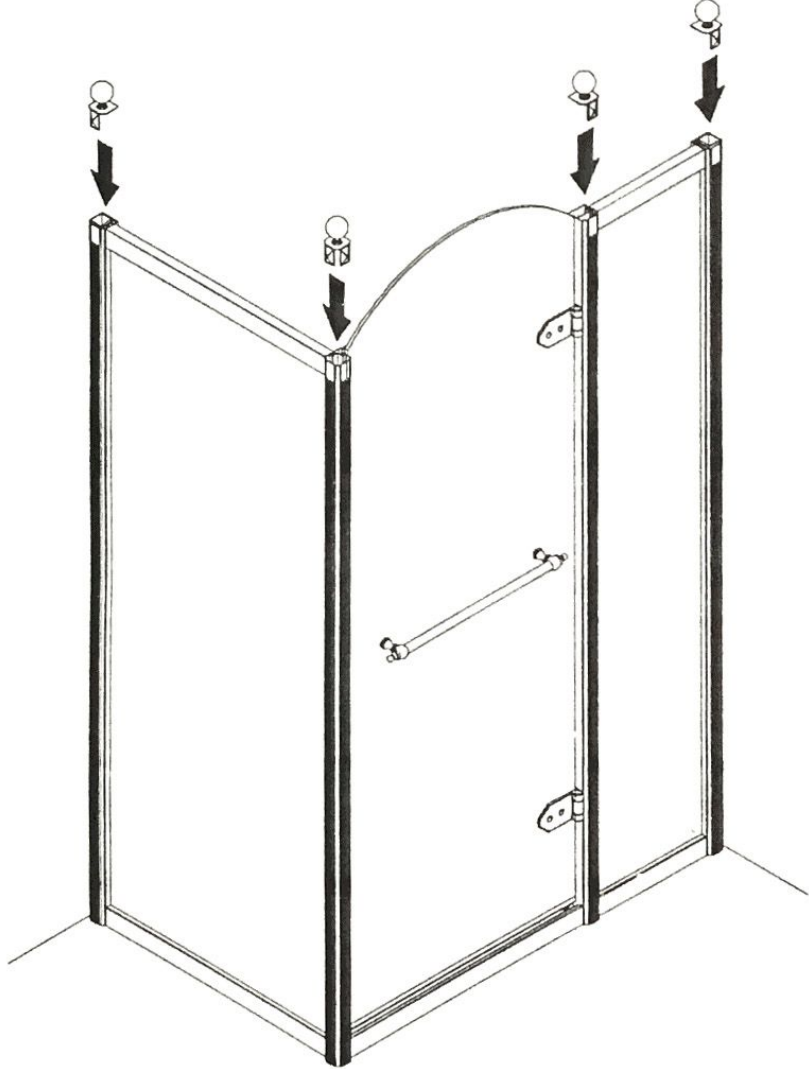
7



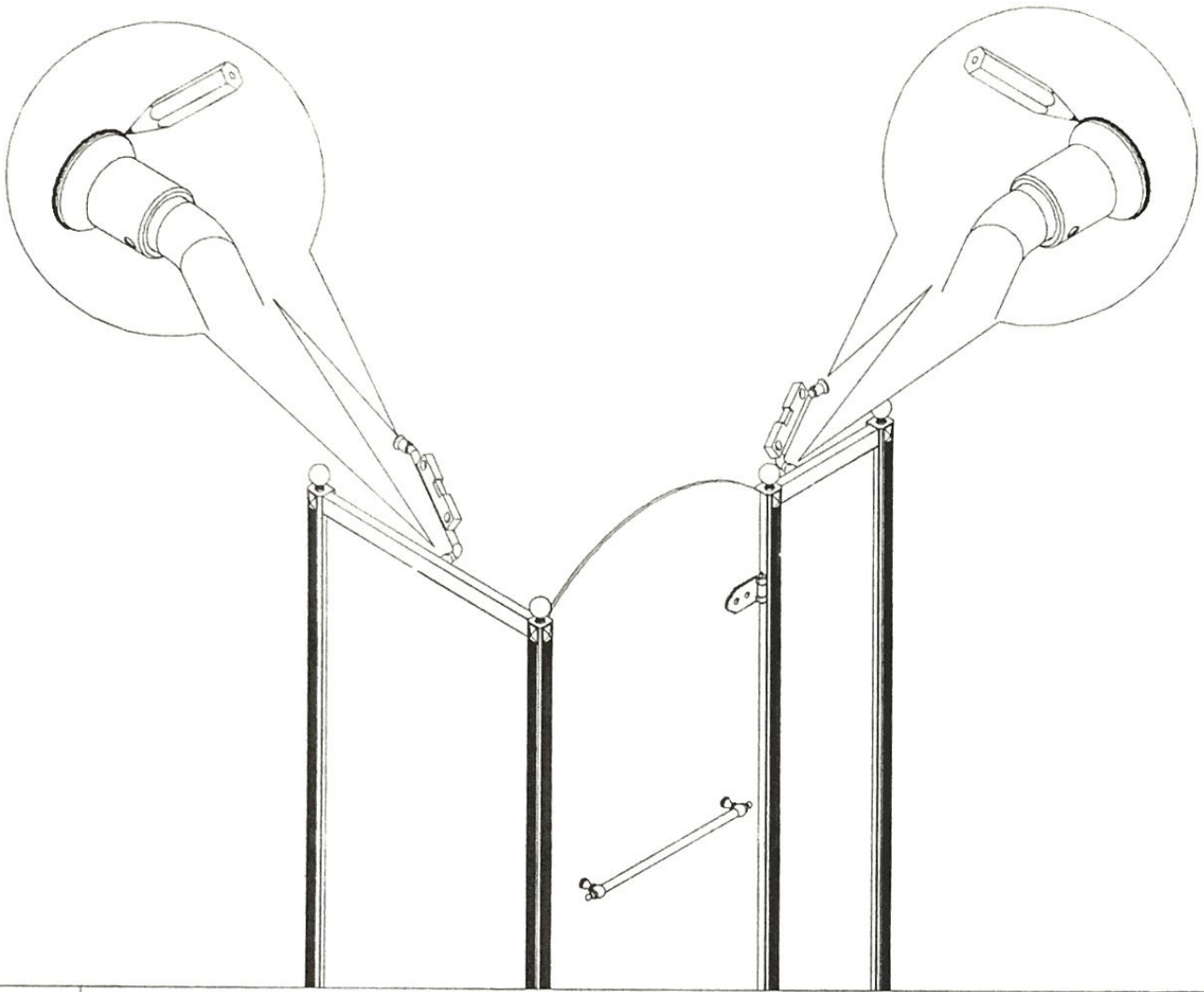
8



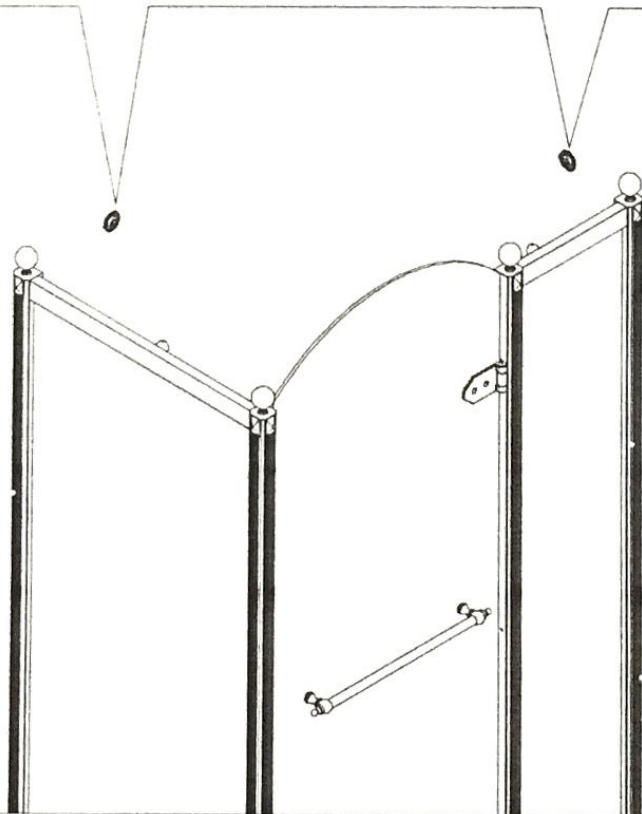
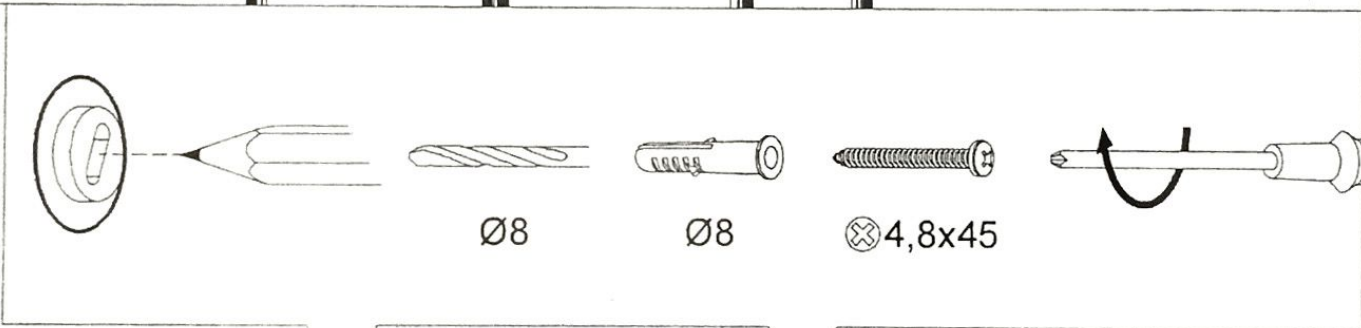
9



10

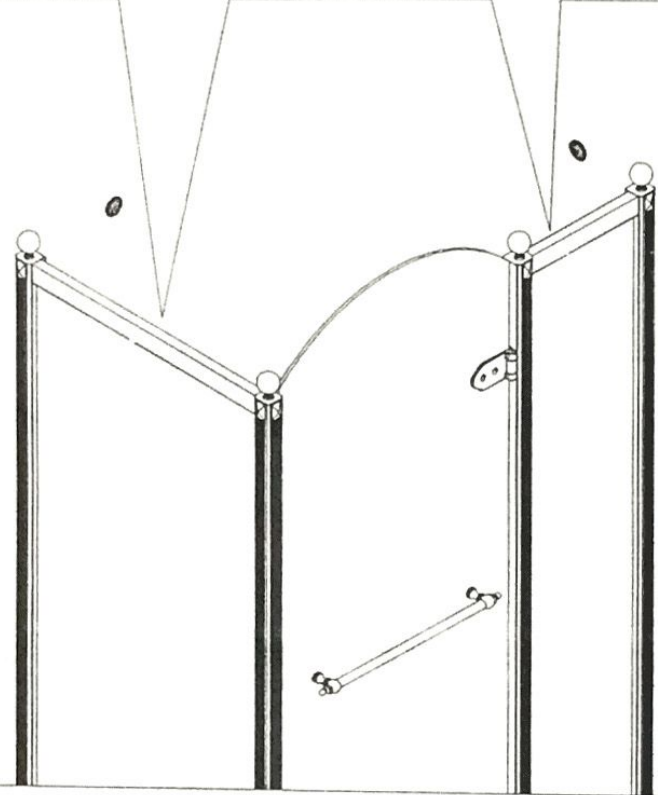
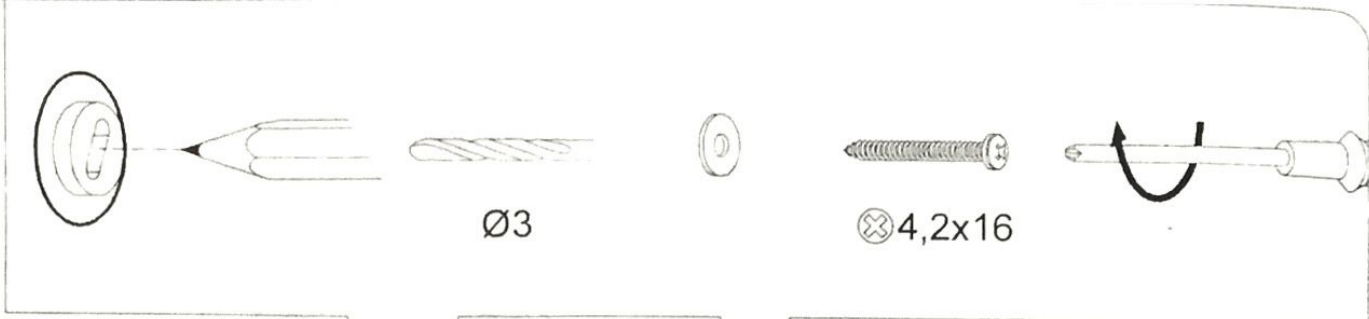


11

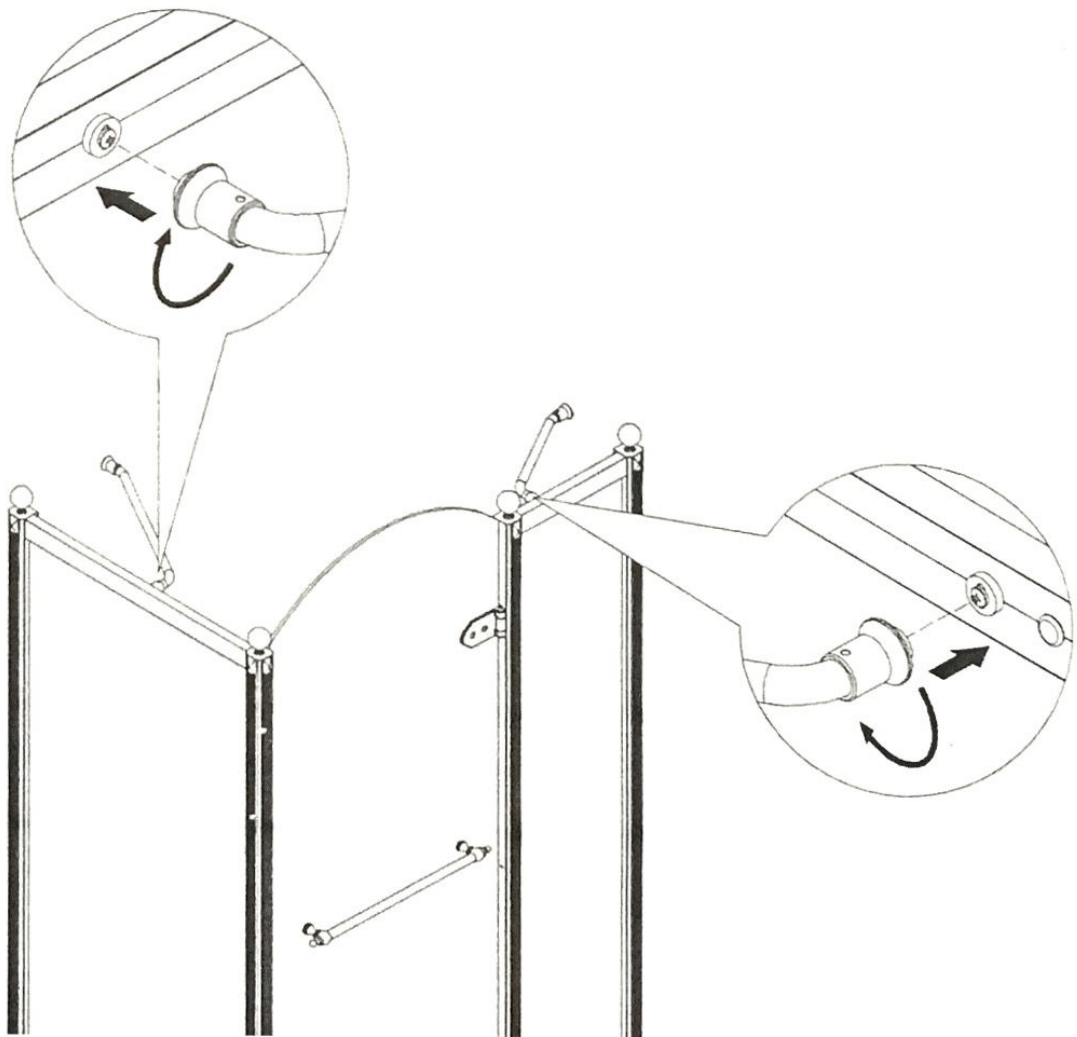




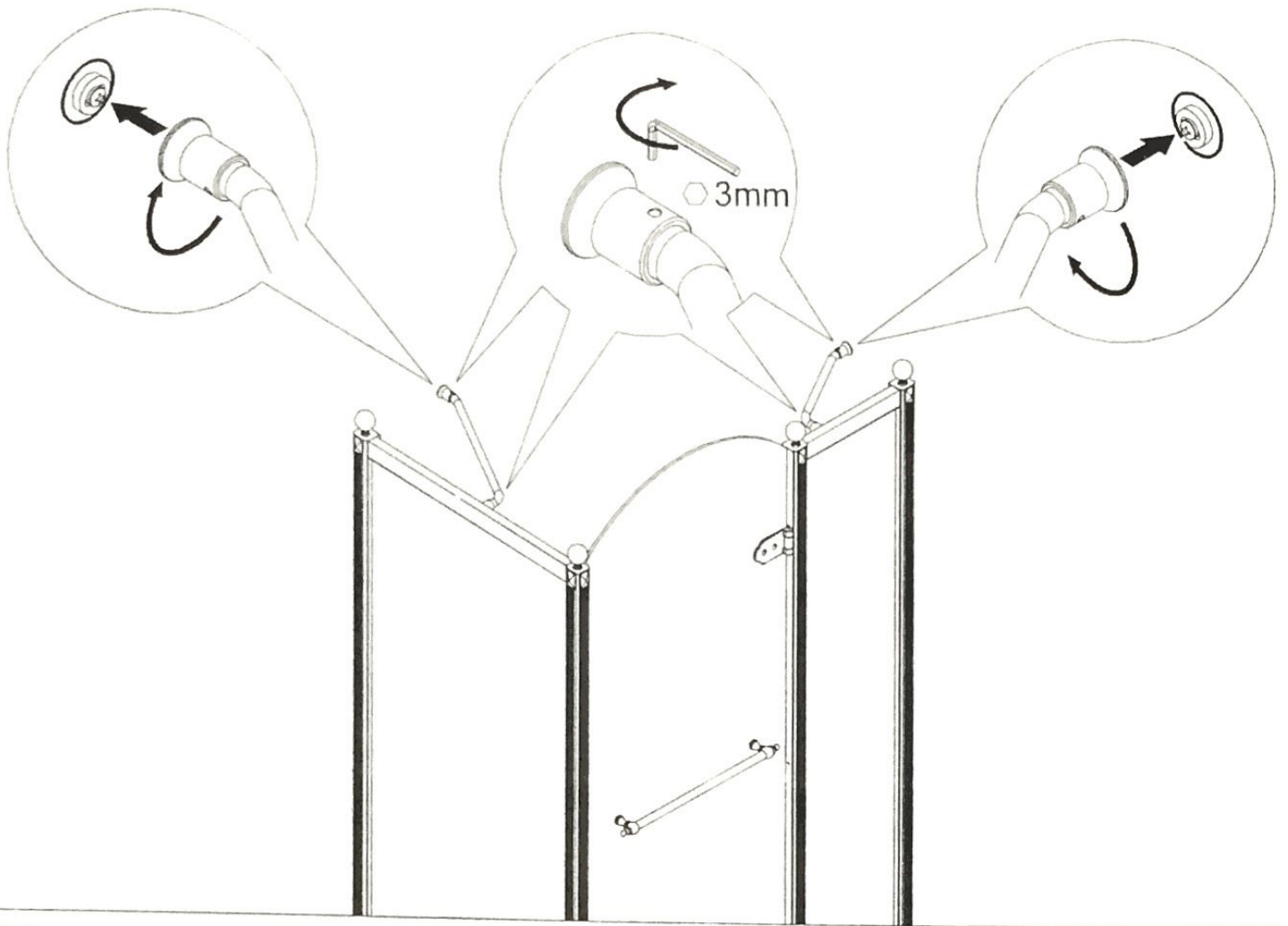
12



13



14



15

