

ConSet sit-stand desk Series 501-27

Choose a frame suitable for your required top
Frame available in three different widths
Extremely competitive prices



Series 501-27

Flexibility is key to the new 501-27 series. More sizes, greater weight capacity, increased travel and integrated anti-squeeze system. As industry and customer requirements evolve so does ConSet, and that's why we are constantly engaged in new product development. Never Sitting Still – now that's ConSet.

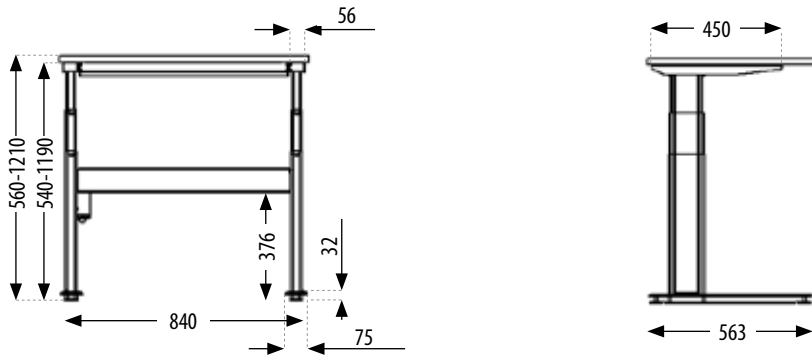
- Lifting capacity:** 125 kg
- Frame width:** 84 cm / 129 cm / 152 cm
- Height range:** 56 cm - 121 cm (Frame 54 cm - 119cm)

See full specifications and opportunities on backpage.



ConSet A/S • Staalvej 14-16 • 6900 Skjern • Denmark
Phone: +45 96 80 00 80 • conset@conset.com • www.conset.com

Series 501-27 – width 84 cm

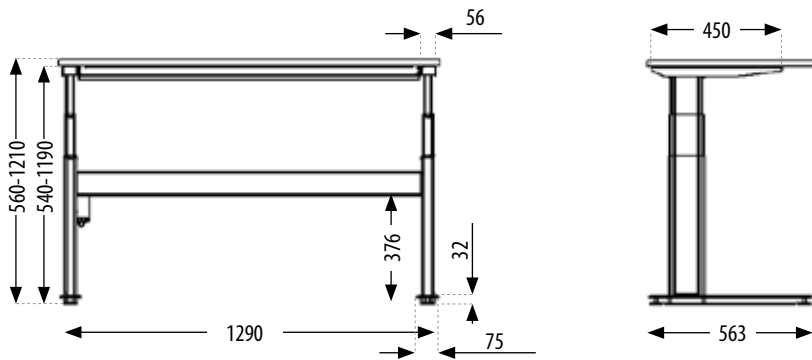


Speed: 28 mm per second – **Lifting capacity:** 125 kg

Table tops / cube suitable:

	36" 915 mm	42" 1066 mm	48" 1220 mm
24" 610 mm			
30" 762 mm			
36" 915 mm			

Series 501-27 – width 129 cm

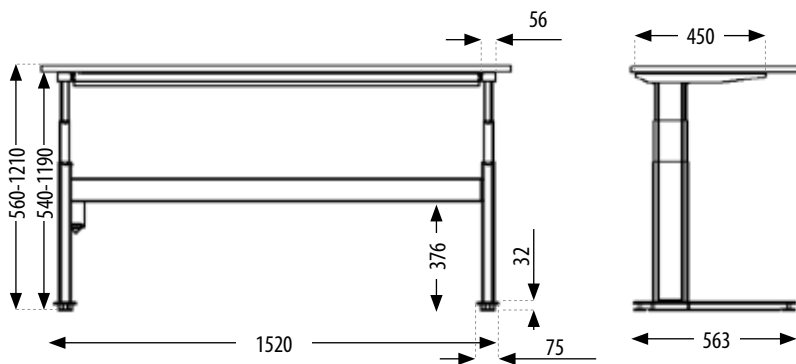


Speed: 28 mm per second – **Lifting capacity:** 125 kg

Table tops / cube suitable:

	54" 1372 mm	60" 1524 mm
24" 610 mm		
30" 762 mm		
36" 915 mm		

Series 501-27 – width 152 cm



Speed: 28 mm per second – **Lifting capacity:** 125 kg

Table tops / cube suitable:

	66" 1677 mm	72" 1829 mm
24" 610 mm		
30" 762 mm		
36" 915 mm		

