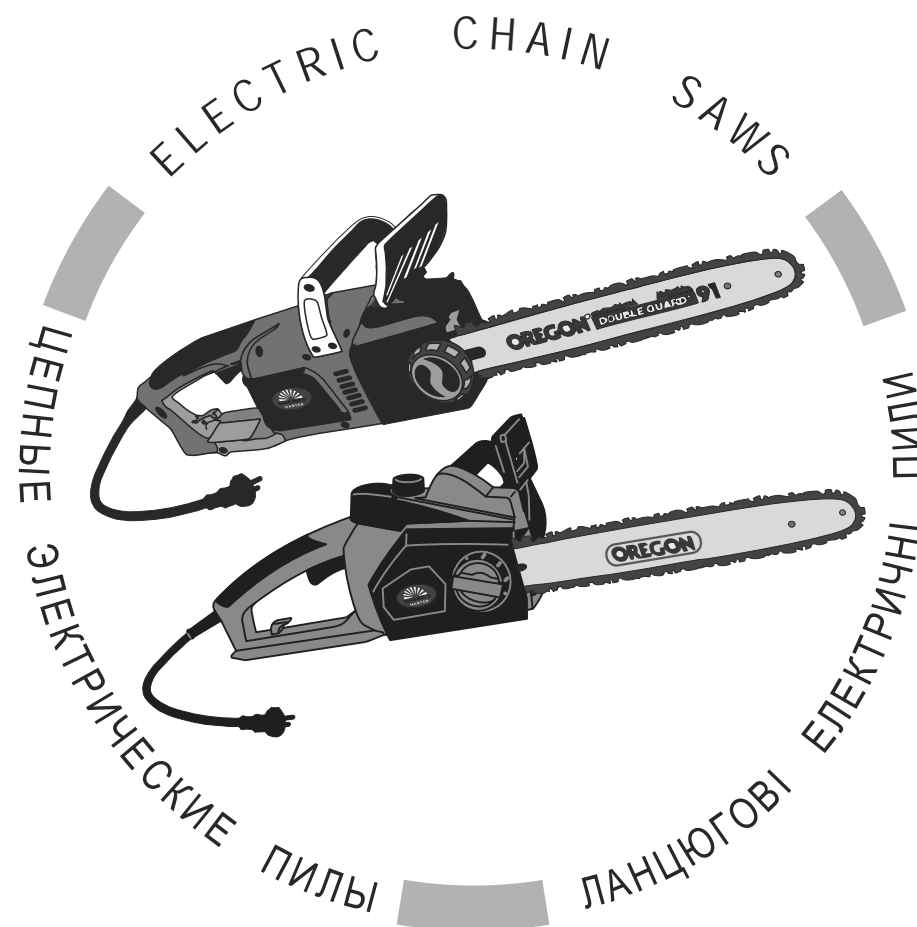


# VITALS

КЕРІВНИЦТВО З ЕКСПЛУАТАЦІЇ



WWW.VITALS.COM.UA



EKZ 2245

EKZ 2440

ÓΕΔΑ Τ ΝΥΕΑ

- 1.
- 2.
- 3.
- 4.
  - 4.1.
  - 4.2.
  - 4.3.
  - 4.4.
- 5.
  - 5.1.
  - 5.2.
  - 5.3.
- 6.
- 7.
- 8.
- 9.



- 6
- 11
- 12
- 13
- 13
- 13
- 18
- 19
- 21
- 21
- 21
- 32
- 41
- 46
- 48
- 50

!

«Vitals».

«Vitals» ?

? « », . 70, . 056-374-89-39.

«Vitals»

Vitals Master EKZ 2245 EKZ 2440

30506-97; 61000-3-2:2004; EN 61000-3-3:2004;  
CISPR 14-1:2004; CISPR 14-2:2007.



[Redacted text block]



[Redacted text block]



[Redacted text block]

« », . 70, . 056-374-89-39.

056-374-89-38,

www.vitals.com.ua.

«Vitals».

Vitals Master EKZ 2245 EKZ 2440

EKZ 2440:

Oregon

УКРАЇНСЬКА

УКРАЇНСЬКА

EKZ 2445:

Oregon

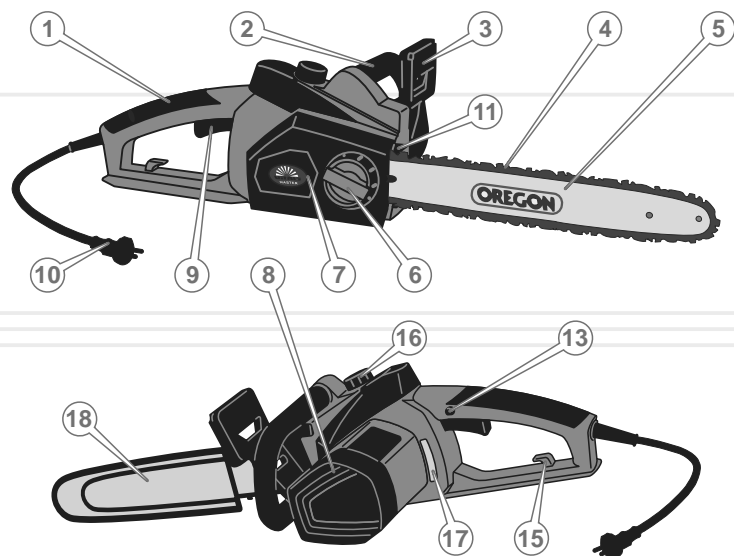
18

EKZ 2440 ( 220 — 50 )

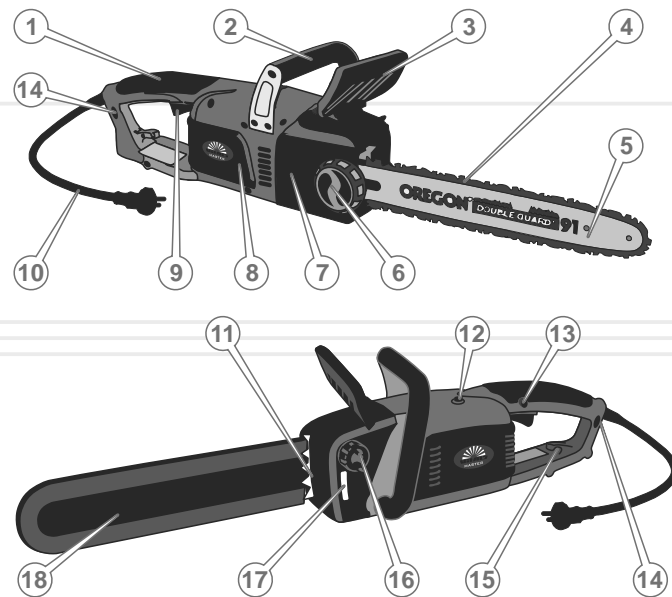
Vitals Master EKZ 2245,

1

EKZ 2245



EKZ 2240



1

- 1.
- 2.
- 3.
4. «Oregon».
5. «Oregon».

- 6.
- 7.
- 8.
- 9.
- 10.
- 11.
- 12.
- 13.
- 14.
- 15.
- 16.
- 17.
- 18.

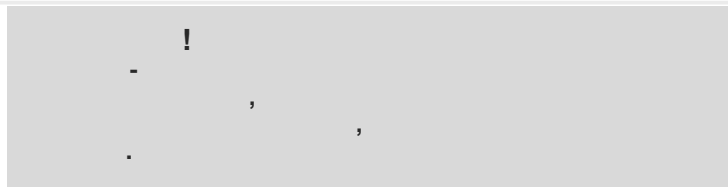
1( )

( EKZ 2440).

( EKZ 2440).

- 1.
- 2.
- 3.
- 4.
- 5.
- 6.

«Oregon».  
«Oregon».



	EKZ 2245	EKZ 2440
	220	220
	50	50
	2200	2400
	18	16
	13,6	14,0
	3,50	6,58
	112	109
	3/8	3/8
	0,12	0,12
	270	125
	495 285 245	550 220 380
	5,8/6,5	6,2/6,8



3.

13.

4.

5.

14.

6.

7.

15.

16

18

16.

8.

9.

17.

10.

11.

12.



14

15



18.

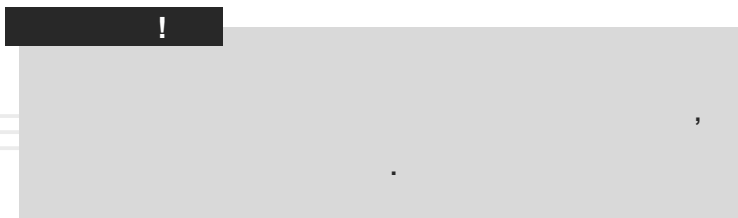
26.

19.

20.

27.

21.



28.

29.

22.

30.

23.

24.

( 5 )

31.

25.

32.

33.

34.

35.

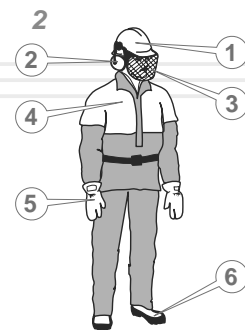
37.

38.

39.

4.3.

2).

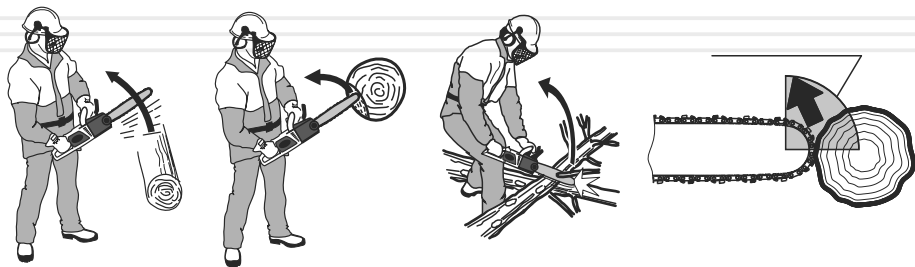


- 1.
- 2.
- 3.
- 4.
- 5.
- 6.

4.4.

3).

3



[Redacted text]

« »:

- 
- 
- 
- 
- 
- 
- 
- 
- 

( , ),

5.1.

5.2.



[Redacted text]

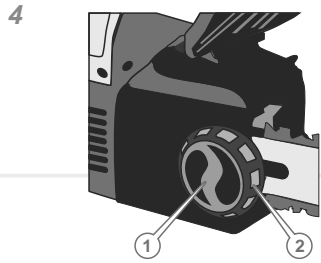
- 1.
- 2.
- 3.
- 4.
- 5.
- 6.
- 7.
- 8.



[Redacted text]

- 1.
- 2.
- 3.

- 4.
- 5. (1) ( 4).



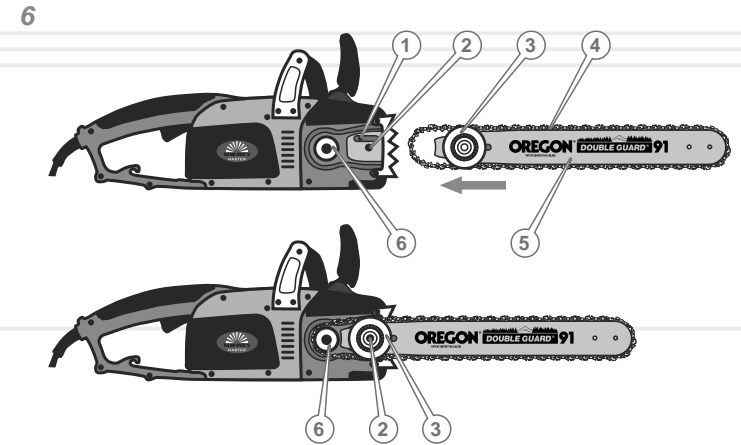
- 1.
- 2.

- 6.
- 7. ( 5).



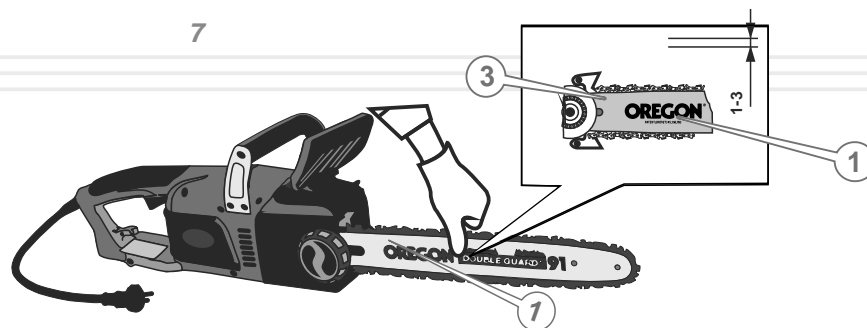
! [Redacted text block]

- 8. 6 ( )



- 1.
- 2.
- 3.
- 4.
- 5.
- 6.

- 9.
- 10.
- 11. (2) ( 4).
- 12. « »).
- 13.
- 14. 5.



3-5

- 1.
- 2.

1-3

- 1.
- 2.
- 3. 1,5-2
- 3. (1). 1-3 ( (2) 7),
- 4.



4. ( )  
 5. 3-5



1-3



! "MIN",

- EKZ 2245 - 270 ;
- EKZ 2240 - 125 ;

( )

- (16) ;
- (1);
- (17) (1).



!



[Redacted text block]



[Redacted text block]

1. 220 (14) ( 50 1) ( EKZ 2440),

2. [Redacted text block]



[Redacted text block]

3. (13) ( 1), - (9) ( .



[Redacted text block]

4. 4-5 ), (

1. [Redacted text block]  
2. [Redacted text block]



[Redacted text block]

1. 15-20 - 1 ( ' , 8).  
2. [Redacted text block]



[Redacted text block]

3. [Redacted text block]

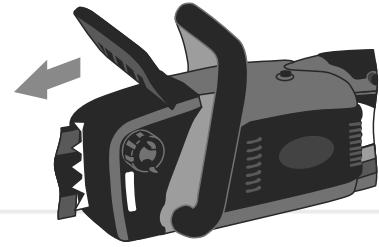


! , .

8



10



! , .



! « ».

( ) ,  
" " ( ) ,  
).

9



! (9) ( . 1) .

( . 11)

- 1.
- 2.
- 3.
- 4.





[Redacted text block]

- 5.
- 6.
- 7.

5.3.



[Redacted text block]



[Redacted text block]

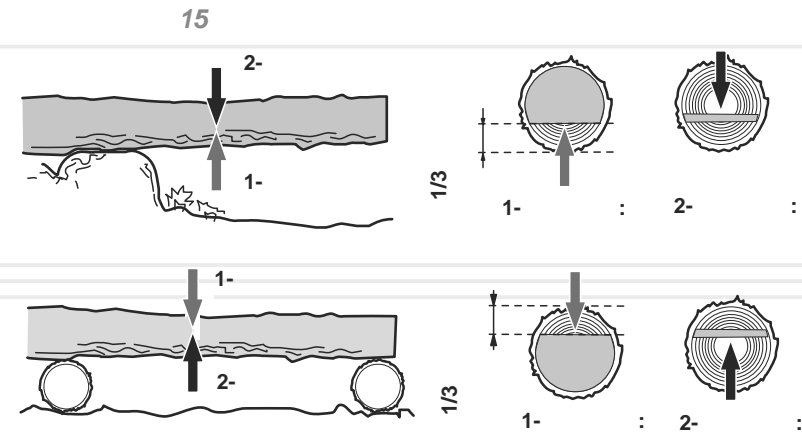
- 1.
- 2.
- 3.
- 4.
- 5.
- 6. 12). (3), (1) 1/3 ( 30-45
- 7. 2,5-5 (2) 1/10
- 8.



( . 15)

1. « ».

2. ( « ») ( ) ,

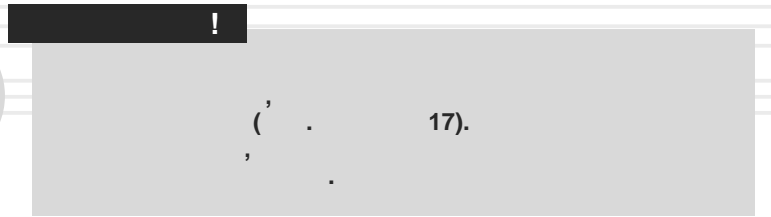
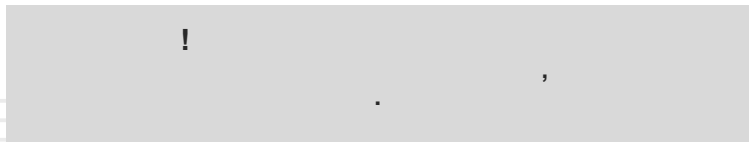


16). ( :



1/3

! i



( . 17).

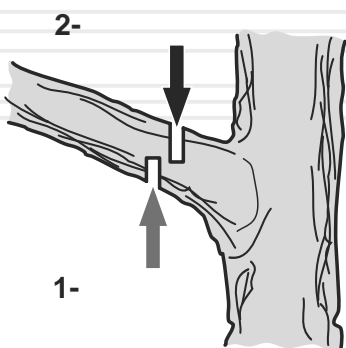
17



( . 18)

- 1. (1).
- 2. (2).

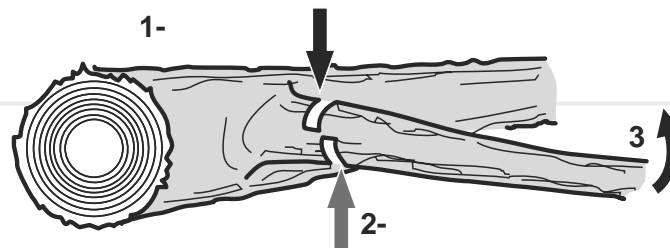
18



19)

( .

19



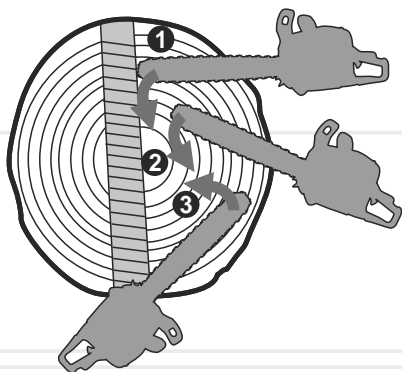
- 1. (1).
- 2. (2).
- 3. (3).



1.  
2.

20).

20



( .

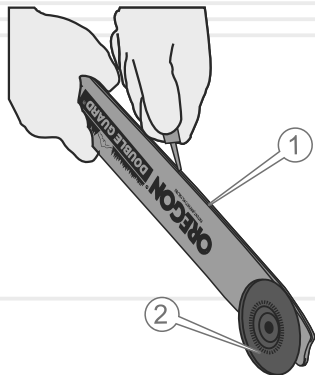


6

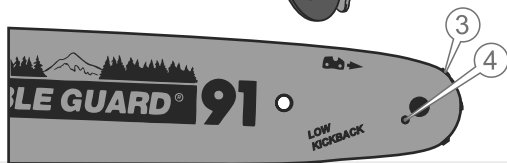
«Vitals».



21



- 1.
- 2.
- 3.
- 4.



- 1.
- 2.
- 3.



3-4

7



[Redacted text block]



[Redacted text block]



[Redacted text block]

УКРАЇНСЬКА

УКРАЇНСЬКА

90%, -15° +55° ( 2 ),

- 1.
- 2.
- 3.
- 4.
- 5.
- 6.

90%. -15° +55° ,

46

47

[Redacted text block]

[Redacted text block]



УКРАЇНСЬКА


	/	/

УКРАЇНСЬКА

Master EKZ 2245

EKZ 2440

1 ( )

Vitals

3( )

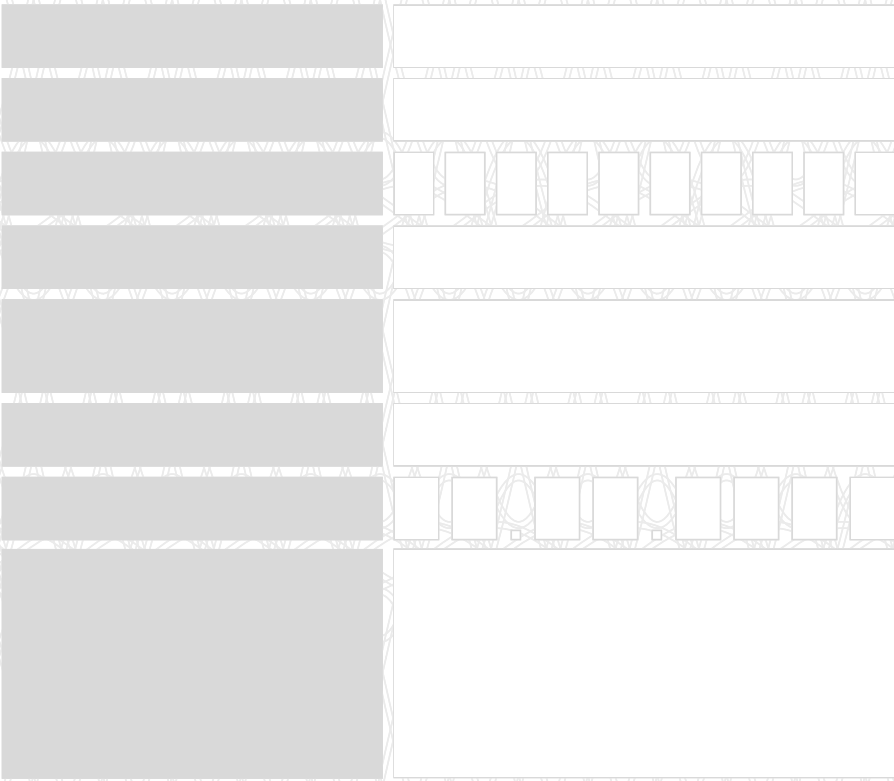
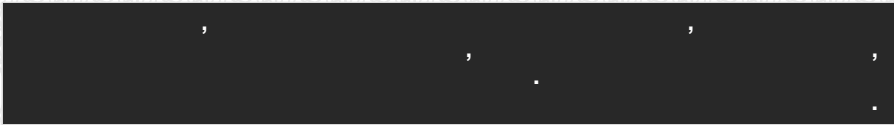
3( )

- 
- 
- 
- 
- 
- 
- 
- 

УКРАЇНСЬКА

УКРАЇНСЬКА





( ):



( ):



( )



( ):



( ):



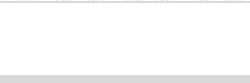
( )



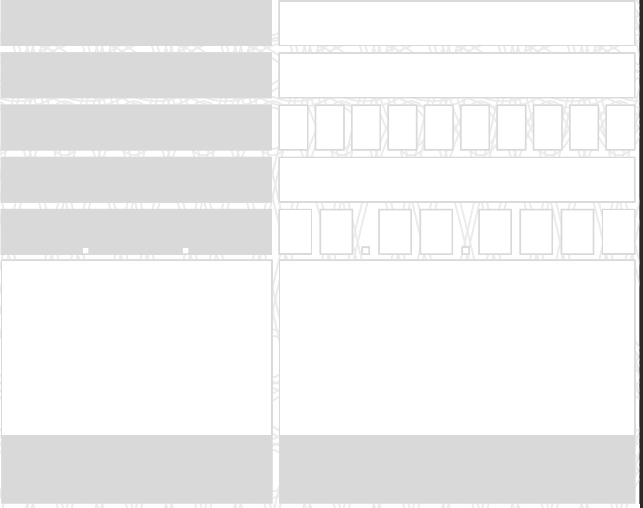
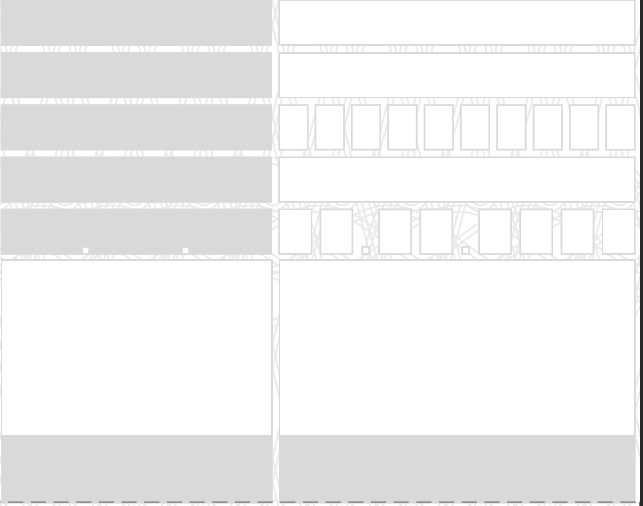
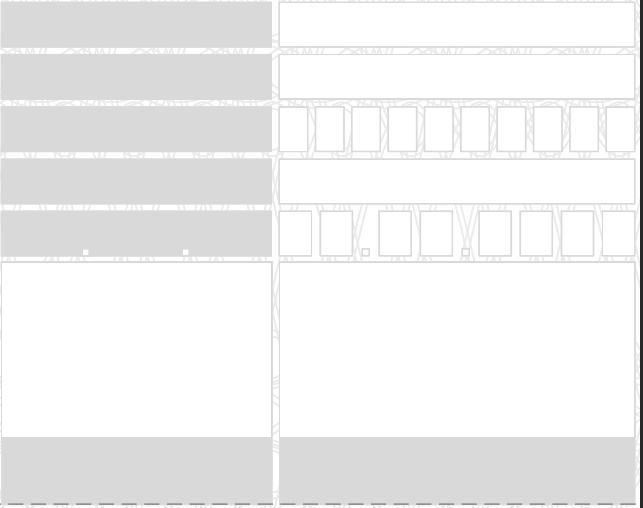
( ):



( ):



( )



ВІДРИВНИЙ ТАЛОН

ВІДРИВНИЙ ТАЛОН

ВІДРИВНИЙ ТАЛОН

A horizontal form with a black border. It contains three white input fields of varying widths. The top right corner of the form has a small white triangle. Below the input fields, there are three small black dots. The form is set against a background of a complex, repeating geometric pattern of overlapping circles and lines.

A horizontal form with a black border, identical in structure to the first one. It contains three white input fields. The top right corner has a small white triangle. Below the input fields, there are three small black dots. The form is set against the same complex geometric pattern background.

A horizontal form with a black border, identical in structure to the others. It contains three white input fields. The top right corner has a small white triangle. Below the input fields, there are three small black dots. The form is set against the same complex geometric pattern background.



?					



