

# BOA-Compact/BOA-SuperCompact – Maintenance-free Soft-seated Globe Valves

Industry

Water

Waste Water

Energy

Building Services

Mining

## Applications:

- Hot water heating systems
- Air-conditioning systems

The limits given in the technical codes must be complied with. Please contact us for details.

## More information:

[www.ksb.com/products](http://www.ksb.com/products)



BOA-Compact



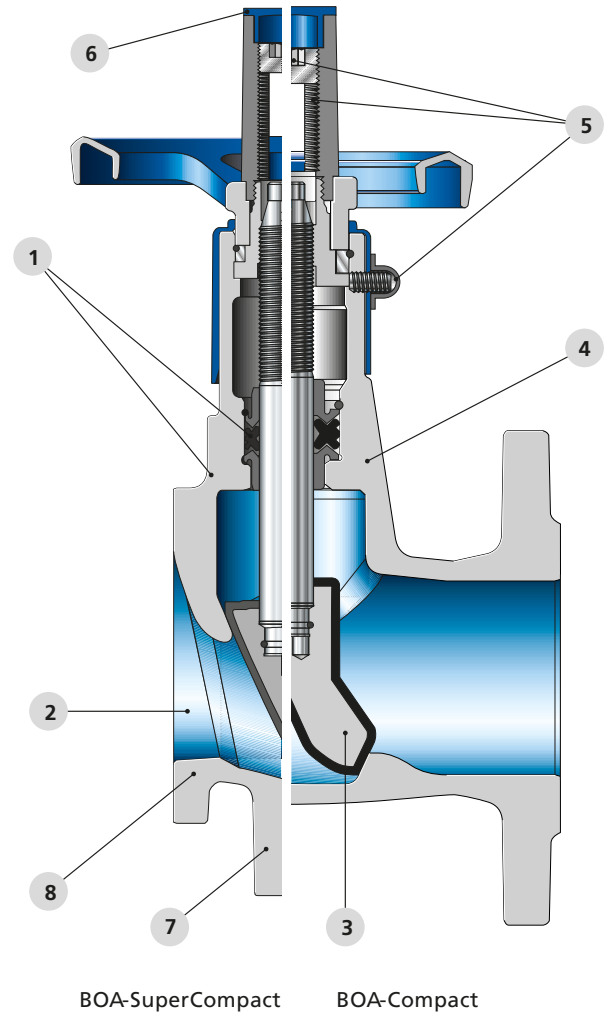
BOA-SuperCompact

Your contact:

ДП «Ліаг Технік Сервіс Україна»  
61035, г. Харків, ул. Каштанова, 2  
тел.: (057) 756-24-42, 721-32-46, 721-32-45  
E-mail: [kharkov@liagtechnik.com.ua](mailto:kharkov@liagtechnik.com.ua)  
Сайт: [www.liag.prom.ua](http://www.liag.prom.ua)

# BOA-Compact/BOA-SuperCompact – Maintenance-free Soft-seated Globe Valves

- 1 Zero leakage and zero maintenance for life**  
Lubricated-for-life EPDM profile ring and single-piece body.
- 2 Minimal pressure drop**  
Hydraulically favourable flow passage.
- 3 One model for shut-off and throttling**  
Fully EPDM-coated throttling valve plug with linear characteristic.
- 4 Easy insulation**  
Simple body design and anti-condensation feature (insulating cap).
- 5 Fully equipped, no extra price**  
Internal travel stop, position indicator and locking device included.
- 6 Straightforward identification**  
Colour coding system.
- 7 BOA-SuperCompact suitable for universal use**  
Complete bolt hole pattern for PN 6/10/16 in a single body.
- 8 Space-saving low-weight design**  
Body with face-to-face length to EN 558/14 (BOA-Compact) or EN 558/94 (BOA-SuperCompact; up to DN 150: face-to-face length = nominal diameter).



7112.021-10 / 02.11 / Subject to technical modification without prior notice / © KSB Aktiengesellschaft 2011

Variants	Similar type series	Pressure/temperature ratings				
<ul style="list-style-type: none"> <li>▪ Oil and grease free version</li> <li>▪ With lead-sealable handwheel cap</li> <li>▪ Special flange designs</li> </ul>	<ul style="list-style-type: none"> <li>▪ BOA-Compact EKB Additionally suitable for drinking water applications, with electrostatic plastic coating (EKB)</li> <li>▪ BOA-CVE Compact, SuperCompact Control valves with electric actuators</li> <li>▪ BOA-W Soft-seated globe valve with face-to-face length to EN 558/1</li> </ul>	<p><b>Max. permissible operating pressures (static load)</b></p> <p>Valve types BOA-Compact, BOA-SuperCompact, BOA-Compact EKB*, BOA-W</p> <p>Made of EN-GJL-250, data as per DIN EN 1092-2</p> <table border="1"> <tr> <td>PN</td> <td>-10 °C to +120 °C</td> </tr> <tr> <td>6,10,16</td> <td>16 bar</td> </tr> </table> <p>*up to +80 °C</p> <p>BOA-Compact available from DN 15 to DN 200 BOA-SuperCompact available from DN 20 to DN 200</p>	PN	-10 °C to +120 °C	6,10,16	16 bar
PN	-10 °C to +120 °C					
6,10,16	16 bar					



ДП «Ліаг Технік Сервіс Україна»  
61035, г. Харків, ул. Каштанова, 2  
тел.: (057) 756-24-42, 721-32-46, 721-32-45  
E-mail: kharkov@liagtechnik.com.ua  
Сайт: www.liag.prom.ua